



INFINITY Load Link(Dynamometer) MODEL CLY-AL (1-5T)



Capacity : 1 , 2, 3, 5 T

Aluminum Alloy

Light & portable

Units : kg, lbs, kN

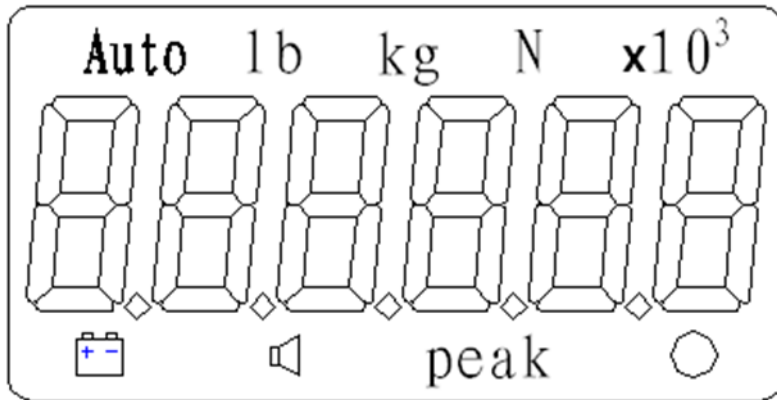
- Application-lifting, pulling ,safety, testing & measuring of tensile force
- Capacity 1, 2, 3, 5,T
- Integrated load cell design for high reliability
- Accuracy 1:2000
- Display units selectable kg, kN, lbs
- 6 Digit 18mm LCD with back lighting
- 3 operation key for ease of operation
- Aluminum design for portability High Strength and Nett Weight –1.8kg
- Peak Load real-time weighing
- Overload Alarm & low battery indication
- Operation temperature -20°C ~ +45°C
- 4x AA Size Battery operation

Max. Capacity (kg)	Standard Division	Division Hi Resolution	Resolution Standard
1000	0.5	0.2	1/2000
2000	1.0	0.5	1/2000
3000	1.0	0.5	1/3000
5000	2.0	1.0	1/2500

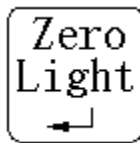


INFINITY Load Link(Dynamometer) MODEL CLY-AL (1-5T)

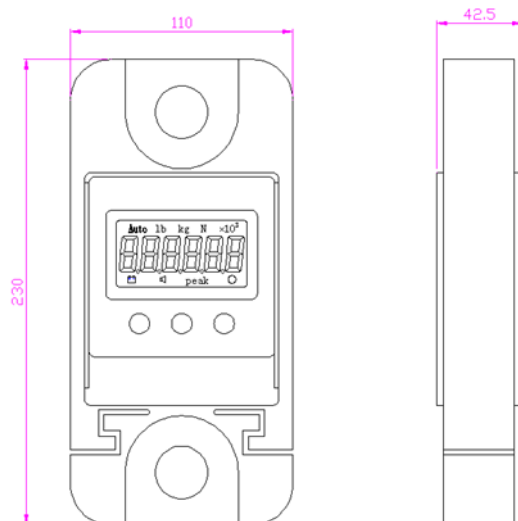
LCD display window



Keypad Function/Operation



Dimensions (mm)



Ordering Information:

CLY-AL-xT

Packaging : Carton