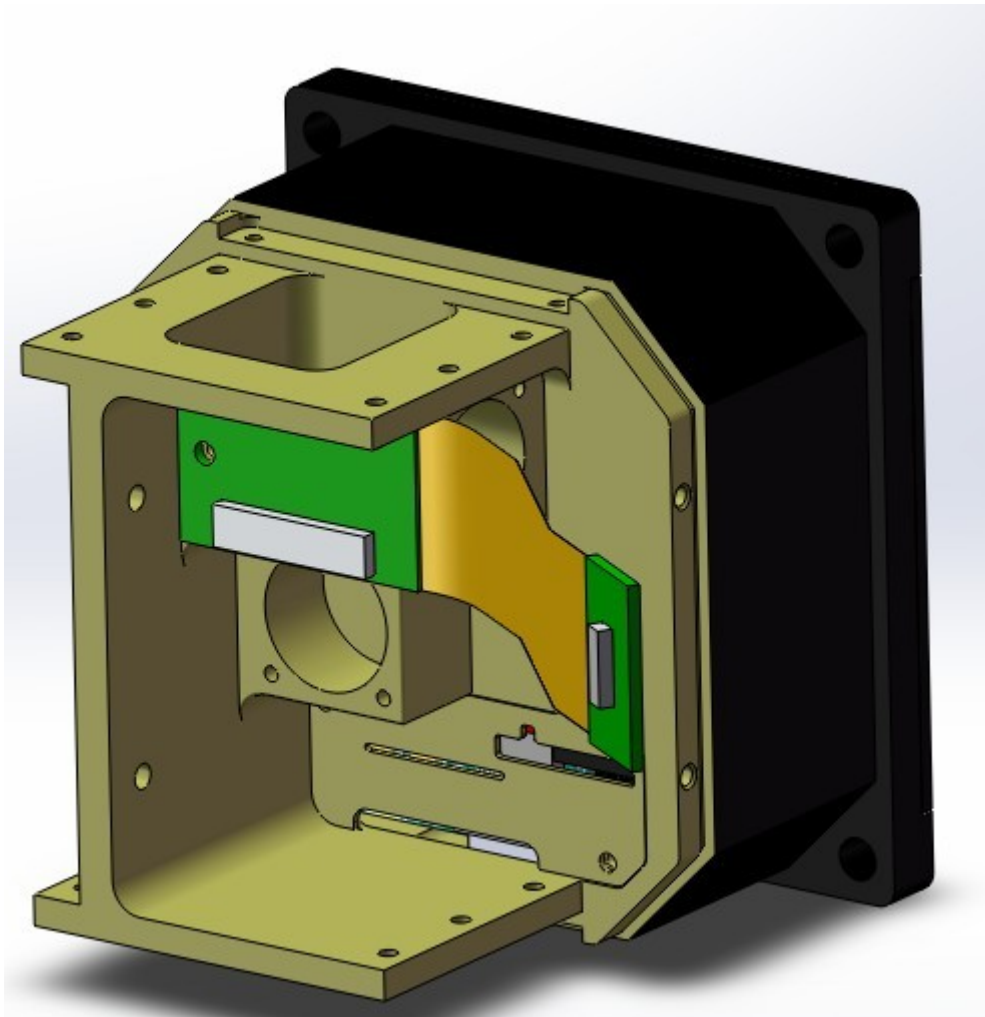


LD480.480_034_004_B800





Specification

LD480.480 034 004 B800	
Model No.	LD480.480 034 004 B800
Resolution	480×480
Response Time	25ms(max at 25°)
Active Image area	No less than 61mm*61mm
Outline dimensions	90mm×90mm×87.6mm
Brightness	Max Brightness≥1000nits
	Min Brightness<0.17nit
Contrast ratio(dark ambient)	>200:1@ 0H/0V
Contrast ratio(shimmer)	>3:1 (110000Lx)
Specular reflectance	<1%
Brightness non-uniformity	Maximum brightness:≤20%
	Minimum brightness: ≤ 25%
Visual angle (CR >5:1)	Horizontal viewing angle from the left: ≥ 45°.
	Horizontal viewing angle from the right: ≥ 40°.
	Vertical viewing angle : ≥±60°.
Signal input	TTL

Gray shades (colors)	64level
Color coordinate	$u^*=0.18\pm 0.015$ $v^*=0.48\pm 0.015$ (adjustable)
Color temperature	6400K~7800K (adjustable)
Power supply	DC28V □ DC5V
Power consumption	Normal temperature power consumption $\leq 4W$; Low temperature power consumption $\leq 26W$.
Weight	$\leq 0.7kg$
Environment suitability	
Work temperature	$-45 \square \square 60 \square$
Storage temperature	$-55 \square \square 70 \square$
Humidity	95% @60 □
Altitude	$>15000m$
Vibration	Meet GJB150.16-1986 airborne requirements
Shock	6g, 11ms (3 direction 6axial)
EMC	CE102;CS101;CS106;CS114;CS115;CS116;RE102;R
MTBF	S103(GJB152A) 10000 hours

Product model explanation

LD480.480_034_004_B800:

LD——LCD display

480.480——Resolution is 480×480

034——Dimension of the LCD panel is 3.4 inch.

004——Power consumption is not more than 4W under normal temperature.

B800——Max Brightness is more than 800 cd/m^2

The detailed product description references the document *LD480.480_034_004_B800 User's Manual*.