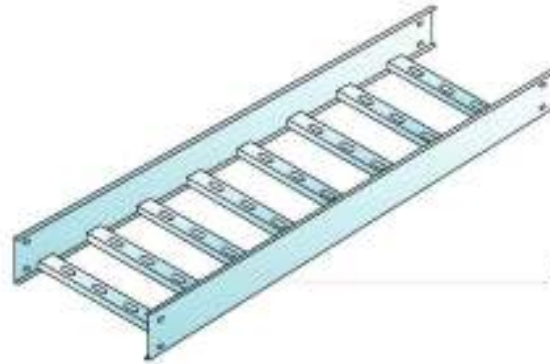


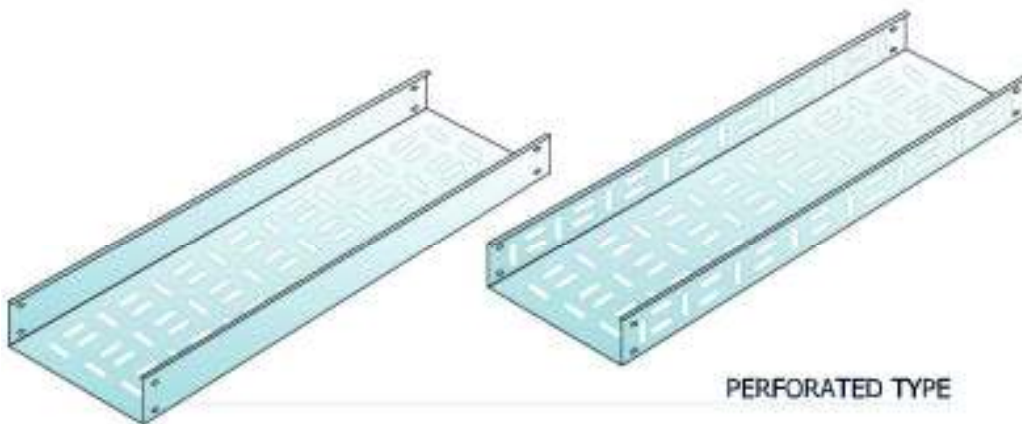
CONTENTS

Type of Cable Tray	3
Cable Tray System	4
Materials and Finishes	5
Catalog Numbering System	6
Ladder Cable Tray	
1) Straight Section	7
2) Horizontal Tee/Cross	8
3) Horizontal Elbow & Reducer	9
4) Inside/Outside Vertical Risers	10
Perforated Cable Tray	
1) Straight Section	11
2) Horizontal Tee/Cross	12
3) Horizontal Elbow & Reducer	13
4) Inside/Outside Vertical Risers	14
Solid Bottom Cable Tray	
1) Straight Section	15
2) Horizontal Tee/Cross	16
3) Horizontal Elbow & Reducer	17
4) Inside/Outside Vertical Risers	18
Cable Tray Cover	
Straight Section	19
Cable Tray Accessories	
1) Channel	20
2) Separator	21
3) Side Rail Clamp	22
4) Joining Plate	23
5) Bracket	24
6) Hanger Post	25
7)	
8) Head Plate	26
Application	
1) Typical Support Hanger Post	27
2) Horizontal Spacing of Hanger Post	28
3) Typical Cable Tray Support	29

TYPES OF CABLE TRAY



LADDER TYPE



PERFORATED TYPE



SOLID BOTTOM TYPE

CABLE TRAY SYSTEM

A Cable Tray System is an assembly of Metallic cable tray sections and accessories, That forms a rigid structural system to Support cable

THE NEED FOR A CABLE TRAY SYSTEM

As technology advances, so too does the need for effective support systems. Today, plants and Buildings are moving more and more towards Automation. Requiring complex system of wiring And cable laying

Old methods of cable management become obsolete under these demanding condition.

- Regular inspection must be carried out, & faults located
- Many entry/exit points are required
- New cable may need to be installed, and old ones removed
- Ventilation, essential to power and similar
- Cables, must be provided

Today cable tray have become a necessary part Of industrial and commercial construction by offering Quick, economical and flexible solutions to these Problems.

Cable trays are capable of supporting all type of Wiring:

- High voltage power lines
- Power distribution cables
- Sensitive control wiring
- Telecommunication wiring
- Optical cable

ADVANTAGE OF SRE CABLE TRAYS

SRE cable tray system are manufactured in Accordance with the precise standard laid down By the national electrical manufacturers association (NEMA). Thus ensuring Standerton of materials Used as well as load-bearing capacities.

SRE is the only company in the Rajasthan To produce a complete range of cable trays as an Engineered production a regular basis.

SRE cable tray system offer the following Advantages

- Easy installation
- Increased cable fill over other wiring method Thereby saving material costs and installation Labor
- Less space utilization then comparable conduit Or other systems
- The metal can be used as an equipment ground conductor
- Easy inspection of cable
- Easy location of faults and quick repair, without replacement of the original cable run
- Cable can be dropped out at any point Without expensive boxes or fittings
- Cable can instantly be added to existing trays At a later stage

MATERIALS AND FINISHES

SR ELECTRICALS CO. manufactures three type of Cable trays

- Ladder type
- Perforated type
- Solid bottom type

All of these are available with a full range of fittings And accessories.

FITTINGS

Fittings are sections of cable trays which are joined To other cable tars sections for the purpose of Changing the direction, elevation or width of the Cable run. All fittings are available in size and type corresponding to the straight cable tray section.

Elbows - horizontal and vertical elbows enable Directional and elevation changes, respectively.

Horizontal tee – these join cable tray sections in three direction at 90 angles.

Horizontal tee – same as “Tee” except in four Directions at 90 angles.

Reducers – these join cable trays of different Widths in the same plane.

COVERS

Covers act as an additional safeguard, providing Shelter from sunlight dirt accumulation & accidental contact. They also isolate cables from fires & radio frequency from interference.

Available in solid top or louvered top.

CONSTRUCTION ACCESSORIES

SR ELECTRICAL CO. manufactures all construction Accessories to unale onsite installation of cable Tray systems. These include splice plate connectors, Channel, clamps brackets and hangers.

SPECIFIC REQUIREMENTS

Other type of cable tray and fitting can be supplied to meet specific requirements.

All SRE Cable trays are fabricated from prime Quality sheet

To provide adequate protection against corrosion, Three type of protection are offered

- Painted after fabrication
- Fabrication from pre-galvanized(GI)sheets
- Hot dip galvanized after fabrication

DIMENSIONS

SRE Cable trays are manufactured in the following standard dimensions

Length	2.44m(8ft) & 3.0m (10ft)
Depth	50mm, 75mm, 100mm
Width	10cm, 15cm, 30cm, 45cm, 60cm, 75cm, 90cm

Sheet metal Thickness

- 18 gauge (1.2mm) for light loads
- 16 gauge (1.5mm) for medium loads
- 14 gauge (2.0mm) for heavy loads
- Up to 4.0mm for extra heavy loads

Elbow and cross radius

- 300mm (standard), 600mm & 900mm also available

LOADING CAPABILITY & SUPPORT SPAN

All SRE Cable tray are manufactured in accordance With the NEMA standard publication ve 1-3.02 1979, TITLED “Cable tray Systems”. Thus they Meet and/or exceed the loading capability of Comparable cable trays.

For guidelines on the maximum distance between Support please consult the above mentioned name codes

CATALOG NUMBERING SYSTEM

For ease of Ordering, each individual product is identified by a "Catalog Number", Comprising Letters And Number

Format xx x 99 x x x

Code 1 2 3 4 5 6

Code 1 Type of Cable Tray & Cover

- LT Ladder Type Cable Tray
- PB Perforated Cable Tray
- SB Solid Bottom Cable Tray
- Solid Cover
- Louvered Cover

Code 2 Type of Cable Tray & Cover

- S Straight Section
- E Horizontal Elbow
- I Inside Vertical Elbow
- O Outside Vertical Elbow
- T Horizontal Tee
- C Horizontal Cross
- R Reducer

Code 3 Width in Centimeters

[Give Actual Figure]

Code 4 Nominal Depth

- A 50mm
- B 75mm
- C 100mm
- D 150mm

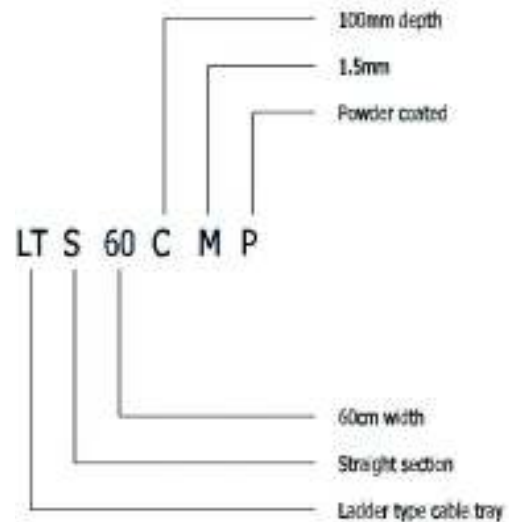
Code 5 Sheet Metal Thickness

- L 1.2mm
- M 1.5mm

- H 2.0mm

Code 6 Type of Finish

- P Painted After Fabrication
- G Pre Galvanized GI Sheet
- H Hot Dip Galvanized After Fabrication



LADDER CABLE TRAY

Straight Sections Of Ladder Type Cable Tray Consist

Of Two Longitudinal Side Rails, Connected by Individual transverse member, or rungs, which are welded to the side rails or bolted in case of of trays.

This Type Of Cable tray Provides Maximum Ventilation to heat producing cable such as power cables.

STANDER DIMENSIONS

Length	2.44m (8ft) & 3.0m (10ft)
Depth	50mm, 75mm, 100mm
Width	10cm, 15cm, 30cm, 45cm, 60cm, 75cm, 90cm
Rung Spacing	300mm (1ft)
Sheet Metal	18 gauge (1.2mm)
Thickness	for light loads 16 gauge (1.5mm) For medium loads 14 Gauge (2.0mm) For Heavy Loads

Designs Other Than Those Listed Above Can be

Manufactured to meet Special Requirement.

Material :

Prime Quality GI & MS Sheets.

Finish (After Fabrication):

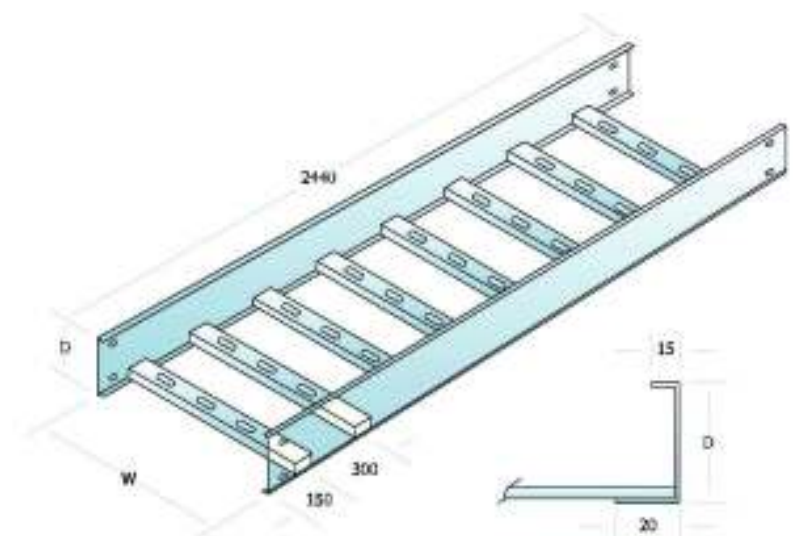
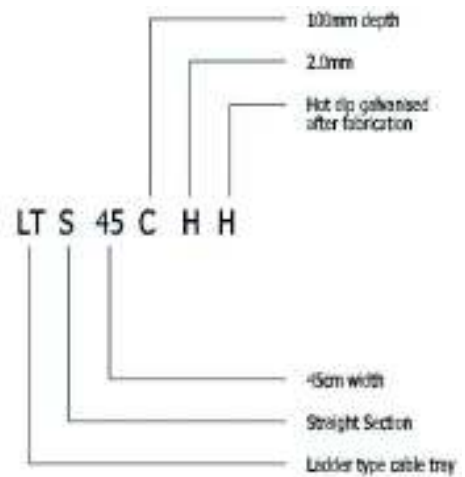
Pre Galvanized

Hot Dip Galvanized

Powder coat Painting

STRAIGHT SECTION

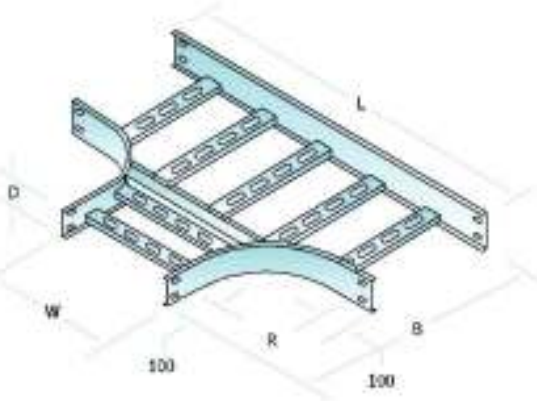
EXAMPLE OF CATALOG NUMBRING SYSTEM



LADDER CABLE TRAY

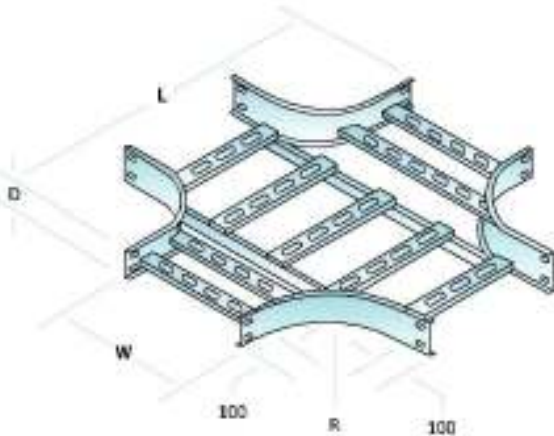
STANDERD DIMENSIONS

RADIUS R 300mm
 WIDTH W(CM) 10 15 30 45 60 75 90
 LENGTH L(CM) 90 95 110 125 140 155 170
 BREADTH B(CM) 50 55 70 85 100 115 130
 FOR OTHER DIMENSIONS SEE PAGE 73464-008



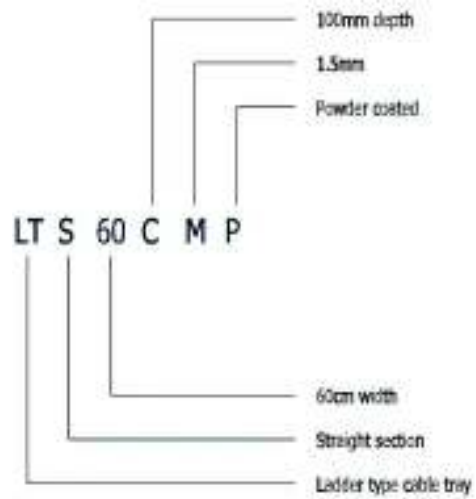
STANDERD DIMENSIONS

RADIOUS R 300mm
 WIDTH W(CM) 10 15 30 45 60 75 90
 LENGTH L(CM) 90 95 110 125 140 155 170
 FOR OTHER DIMENSIONS SEE PAGE 73464-008



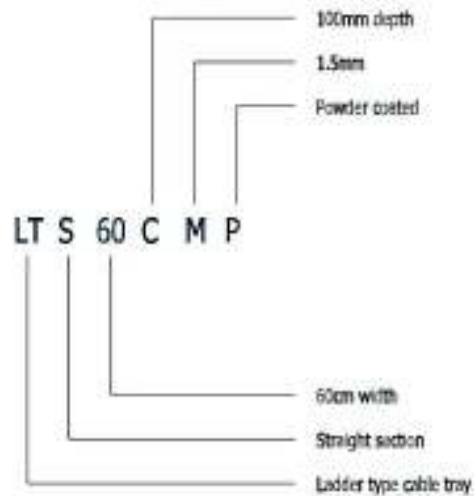
HORIZONTAL TEE

Example of catalog numbering system



HORIZONTAL CROSS

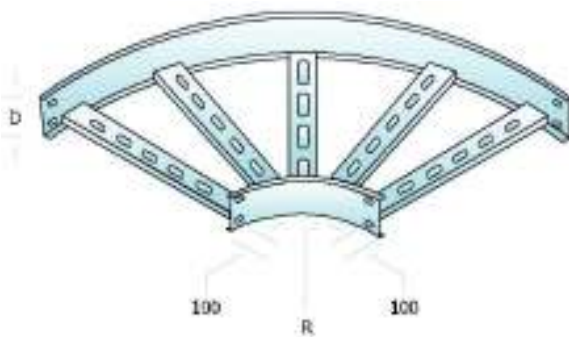
Example of catalog numbering system



LADDER CABLE TRAY

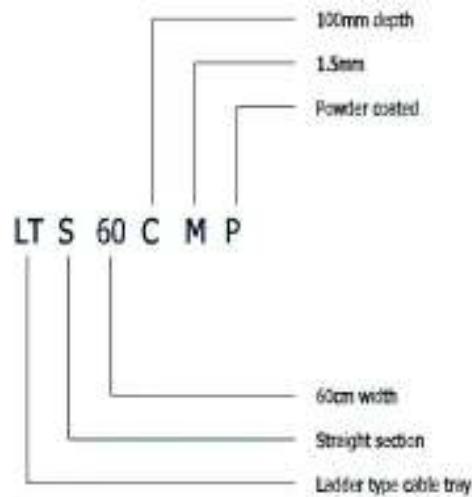
STANDERD DIMENSIONS

RADIUS R	300mm
BEND ANGEL	90 (30,45 & 60 ALSO AVAILBLE)
WIDTH W(CM)	10 15 30 45 60 75 90
LENGTH L(CM)	50 55 70 85 100 115 130
BREADTH B(CM)	50 55 70 85 100 115 130
FOR OTHER DIMENSIONS SEE PAGE 73464-008	



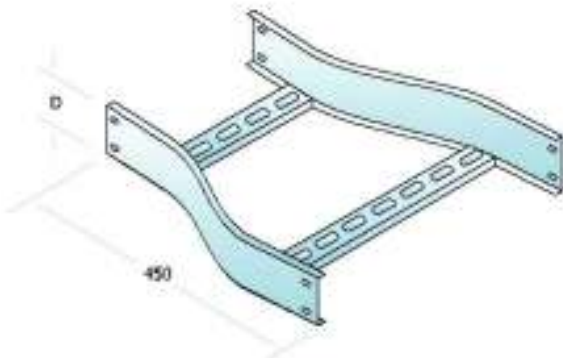
HORIZONTAL ELBOW

Example of catalog numbering system



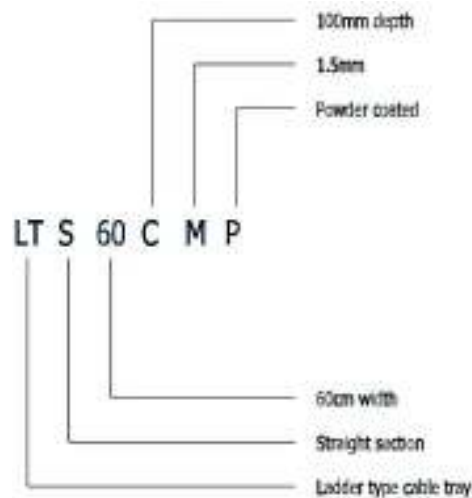
S.R Electrical Co. A complete range of ladder reducers for joining any two size of straight sections.

Please specify both starting and ending widths.



REDUCER

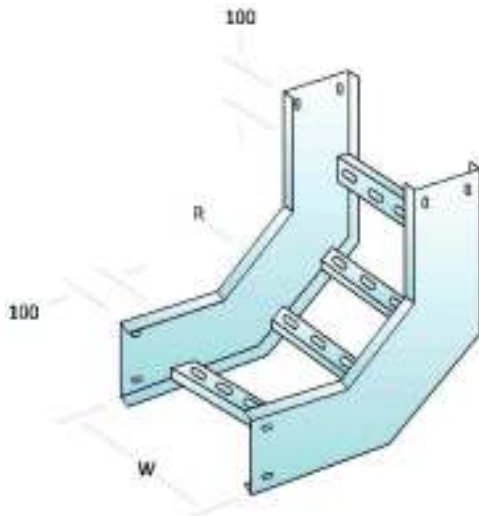
Example of catalog numbering system



LADDER CABLE TRAY

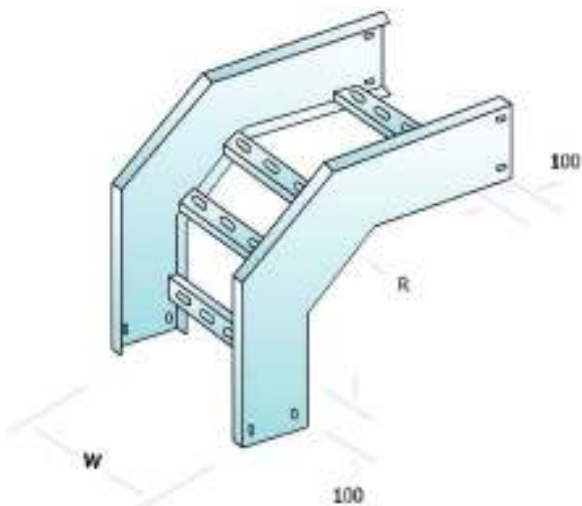
STANDERD DIMENSIONS

Bend angle 90



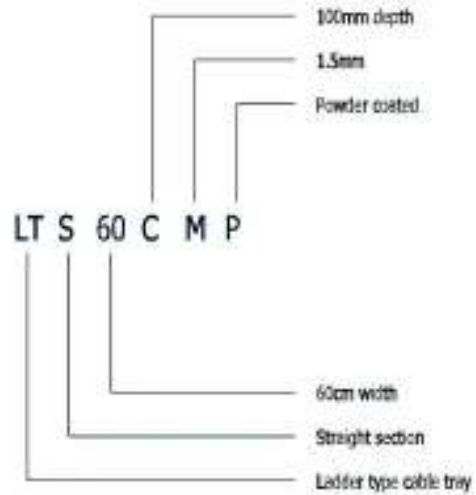
STANDERD DIMENSIONS

Bend angle 90



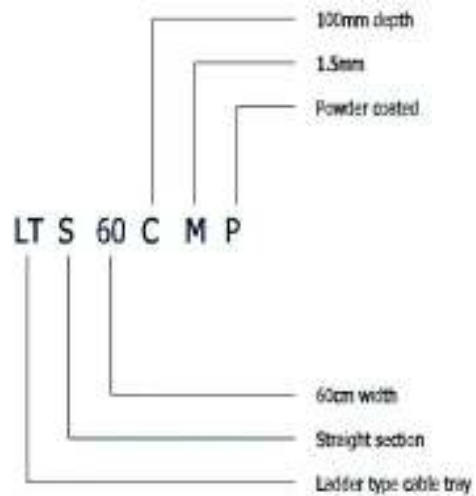
INSIDE VERTICAL RISERS

Example of catalog numbering system



OUTSIDE VERTICAL RISERS

Example of catalog numbering system



PERFORATED CABLE TRAY

Contracted from single sheet of perforated metal. They are convenient for cable which requires both a degree of protection from external damage and some ventilation.

STANDERD DIMENSIONS

Length	2.44m (8ft) & 3.0m (10ft)
Depth	75mm, 100mm 150mm
Width	10cm, 15 cm, 30cm, 45cm, 60cm, 75cm
Sheet metal	18 Gauge (1.2mm)
Thickness	for light loads 16 Gauge (1.5mm) For gauge (2.0mm) For heavy loads

Designs other than those listed above can be manufactured to meet special requirements

Materials:

Prime Quality GI & MS Sheets.

Finish (After Fabrication):

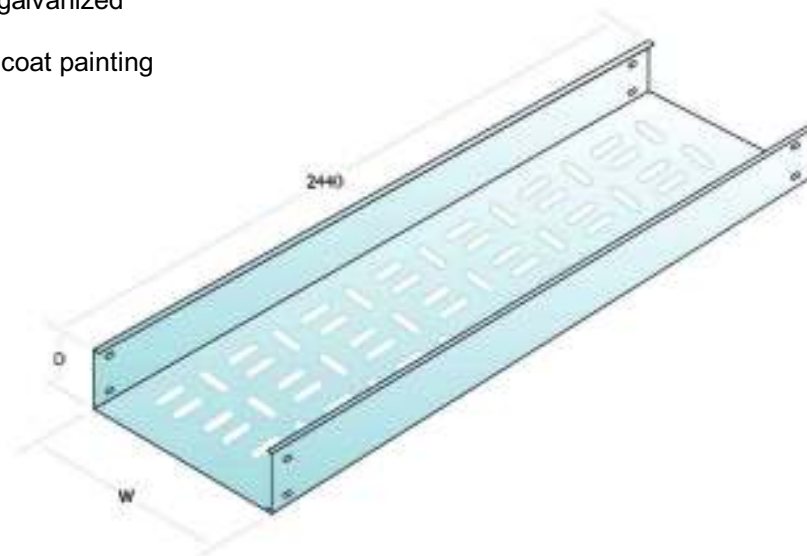
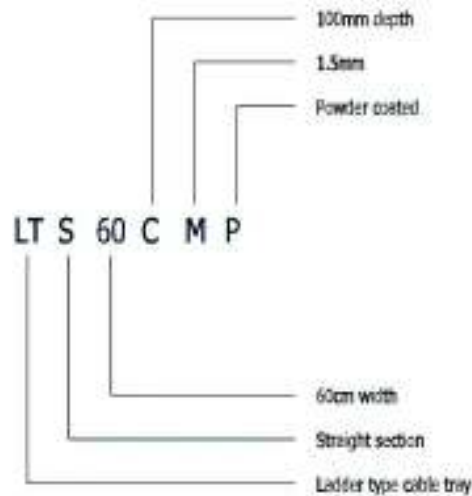
Pre galvanized

Hot dip galvanized

Powder coat painting

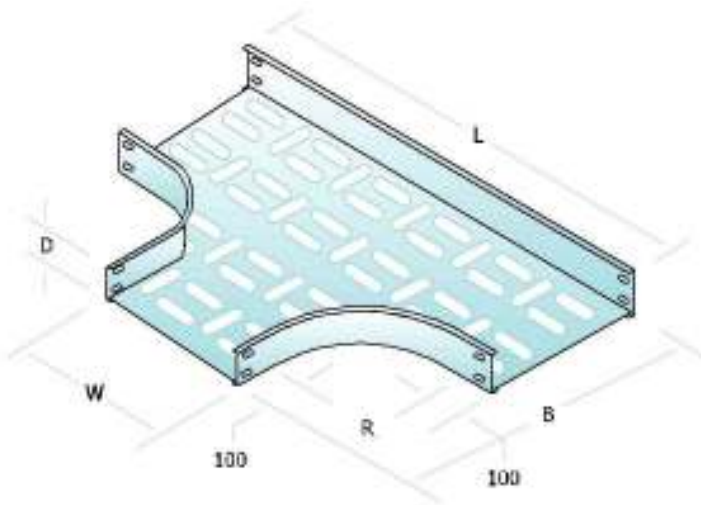
STRAIGHT SECTION

Example of catalog numbering system



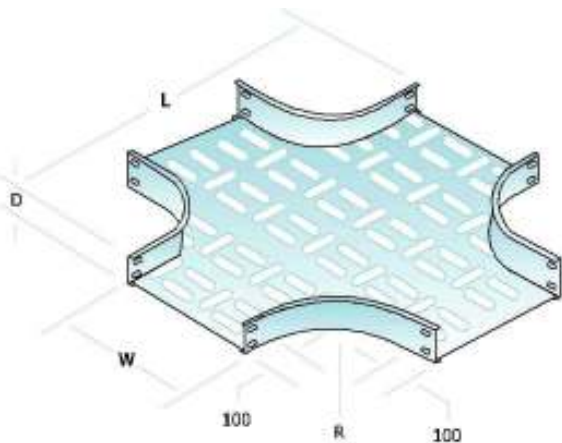
PERFORATED CABLE TRAY

Radius R 300mm
 Width W (cm) 10 15 30 45 60 75
 Length L (cm) 90 95 110 125 140 155
 Breadth B (cm) 50 55 70 85 100 115
 For other dimension see page 73464-008



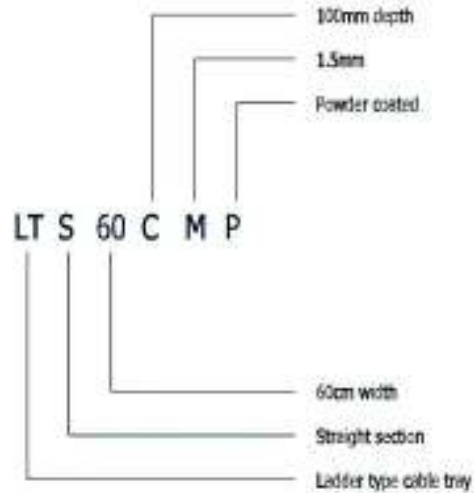
STANDERD DIMENSIONS

Radius R 300mm
 Width W (cm) 10 15 30 45 60 75
 For other dimension see page 73464-008



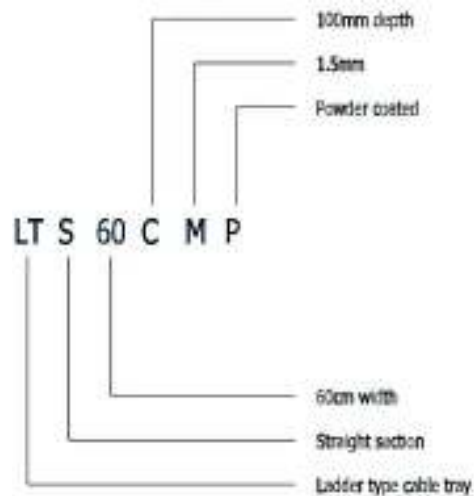
HORIZONTAL TEE

Example of catalog numbering system



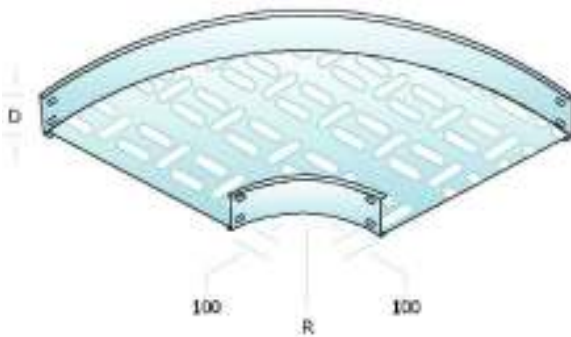
HORIZONTAL CROSS

Example of catalog numbering system



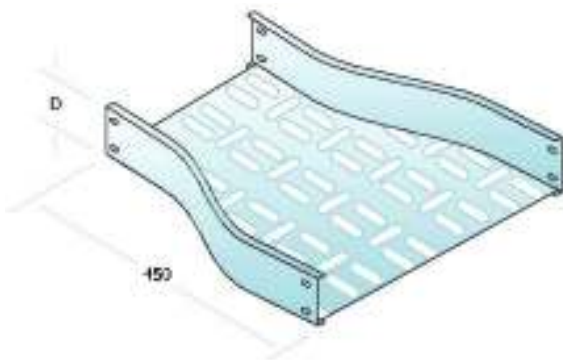
PERFORATED CABLE TRAY

Radius R 300mm
 Width W (cm) 10 15 30 45 60 75
 Length L (cm) 90 95 110 125 140 155
 Breadth B (cm) 50 55 70 85 100 115
 For other dimension see page 73464-008



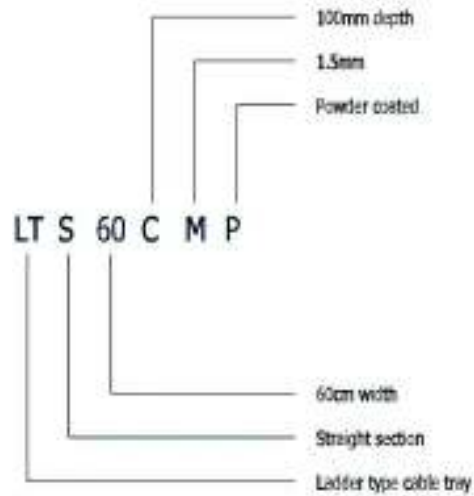
S.R Electricals a complete range of perforated bottom reducers for joining any two size of straight section

Please Specify both starting and ending width



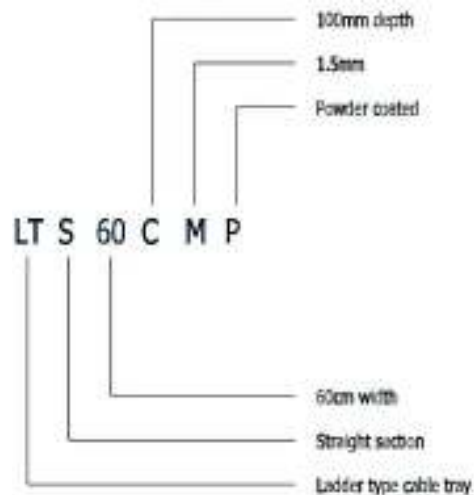
HORIZONTAL ELBOW

Example of catalog numbering system



REDUCER

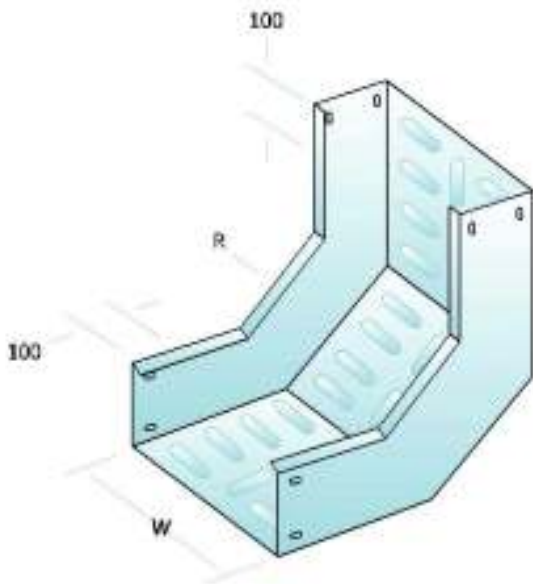
Example of catalog numbering system



PERFORATED CABLE TRAY

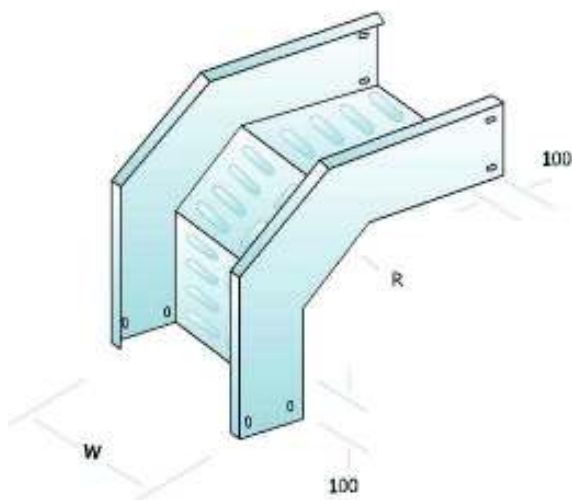
STANDERD DIMENSIONS

Bend angle 90



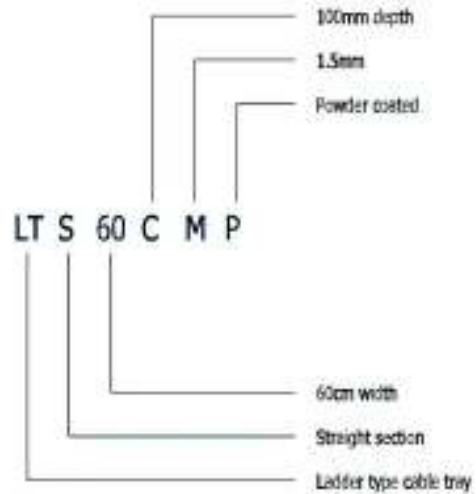
STANDERD DIMENSIONS

Bend angle 90



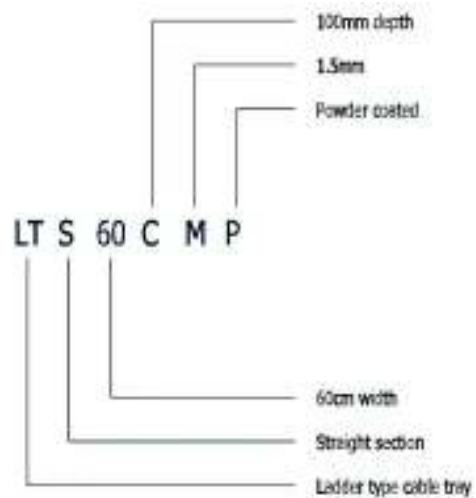
INSIDE VERTICAL RISERS

Example of catalog numbering system



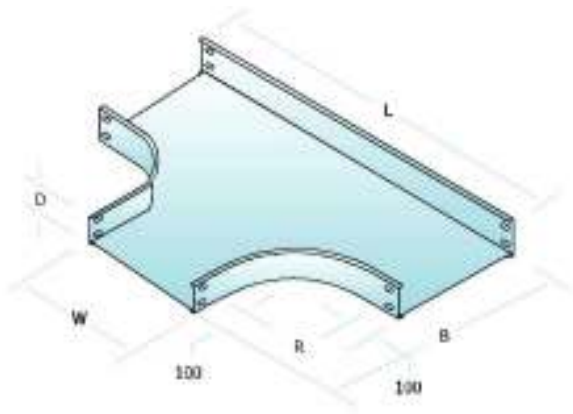
OUTSIDE VERTICAL RISERS

Example of catalog numbering system



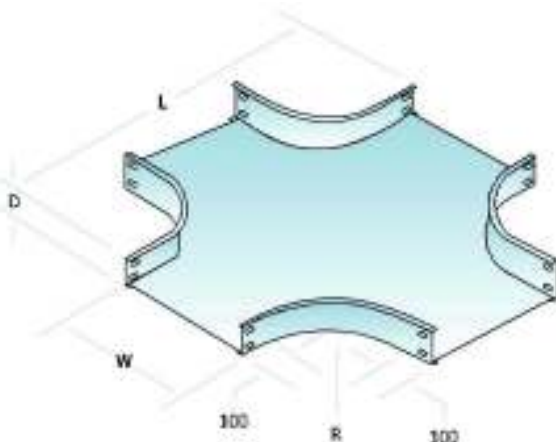
SOLID BOTTOM CABLE TRAY

Radius R 300mm
 Width W (cm) 10 15 30 45 60 75
 Length L (cm) 90 95 110 125 140 155
 Breadth B (cm) 50 55 70 85 100 115
 For other dimension see page 73464-008



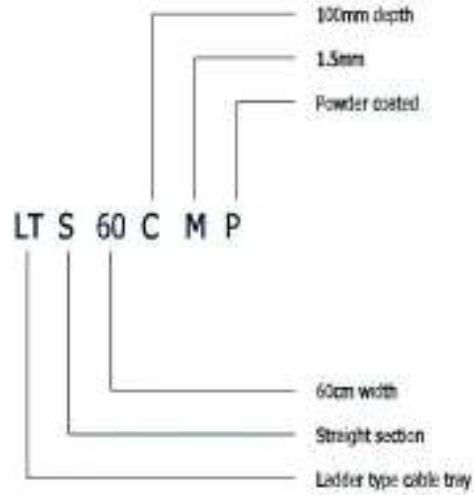
STANDARD DIMENSIONS

Radius R 300mm
 Width W (cm) 10 15 30 45 60 75
 For other dimension see page 73464-008



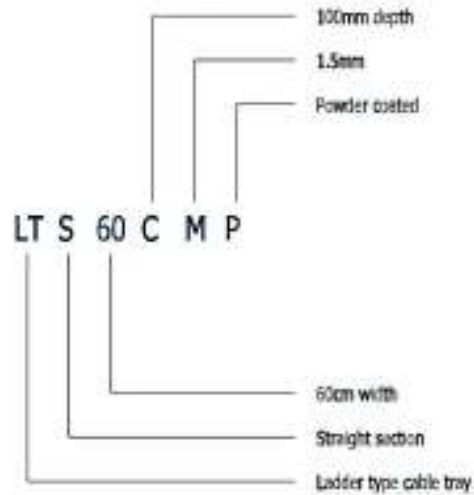
HORIZONTAL TEE

Example of catalog numbering system



HORIZONTAL CROSS

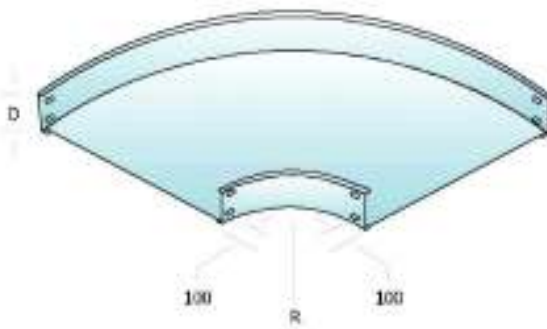
Example of catalog numbering system



SOLID BOTTOM CABLE TRAY

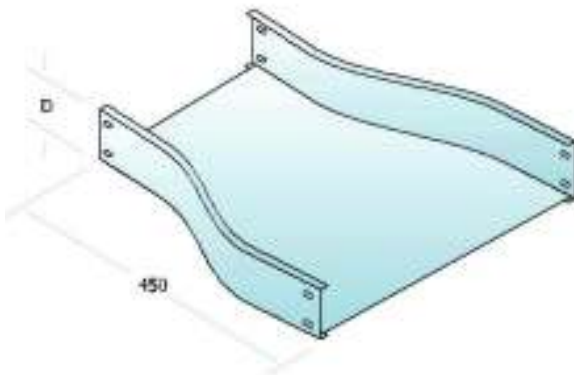
Radius R	300mm
Bend angle	90
Width W (cm)	10 15 30 45 60 75
Length L (cm)	50 55 70 85 100 155
Breadth B (cm)	50 55 70 85 100 115

For other dimension see page 73464-008



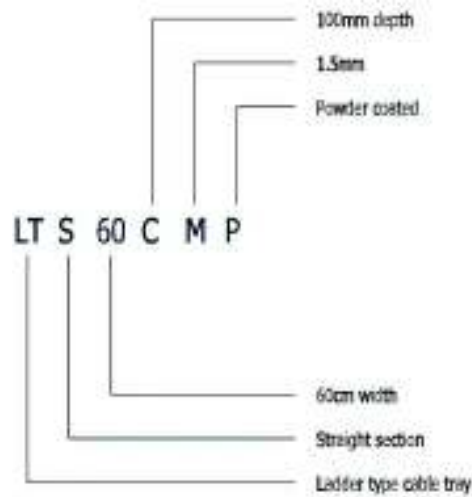
S.R Electricals a complete range of perforated bottom reducers for joining any two size of straight section

Please Specify both starting and ending width



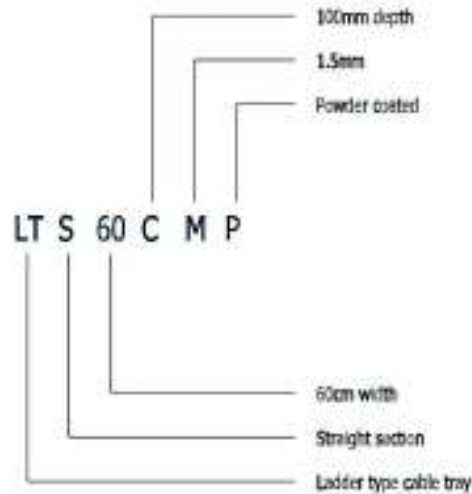
HORIZONTAL ELBOW

Example of catalog numbering system



REDUCER

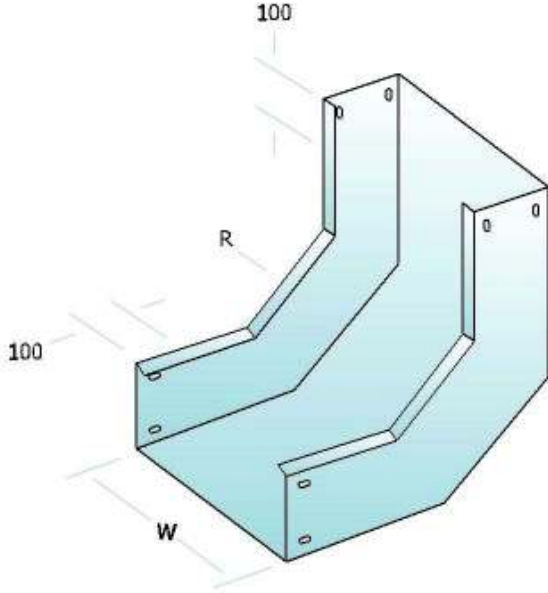
Example of catalog numbering system



PERFORATED CABLE TRAY

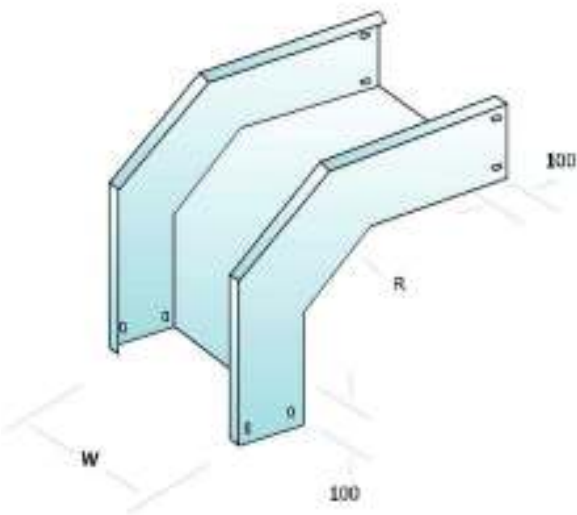
STANDERD DIMENSIONS

Bend angle 90



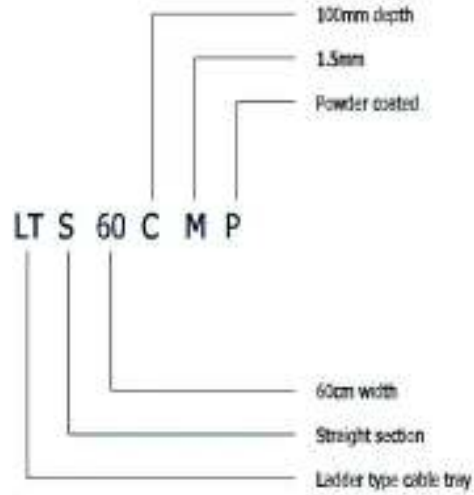
STANDERD DIMENSIONS

Bend angle 90



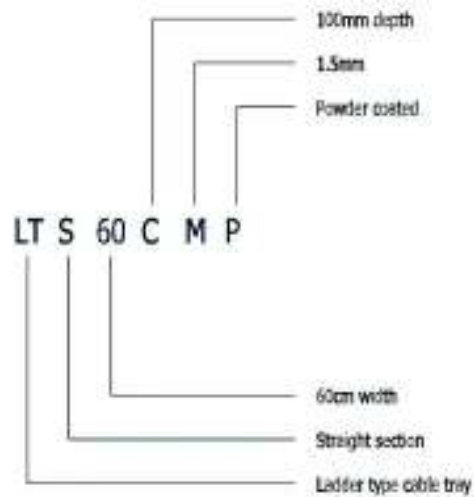
INSIDE VERTICAL RISERS

Example of catalog numbering system



OUTSIDE VERTICAL RISERS

Example of catalog numbering system



SOLID BOTTOM CABLE TRAYS

Straight sections of solid bottom cable trays contracted from single sheet of metal, providing excellent protection from external damage. They are used primarily for instrumental control, communication and other non-heat producing cables.

STANDERD DIMENSIONS

Length	2.44m (8ft) & 3.0m (10ft)
Depth	75mm,100mm 150mm
Width	10cm, 15cm, 30cm, 45cm,60cm,75cm
Sheet metal	18 Gauge(1.2mm)
Thickness	for light loads 16 Gauge (1.5mm) For medium loads 14 gauge (2.0mm) For heavy Loads

Designs other than those listed above can be manufactured to meet special requirements

Material:

Primer quality GI & MS Sheet.

Finish (After fabrication):

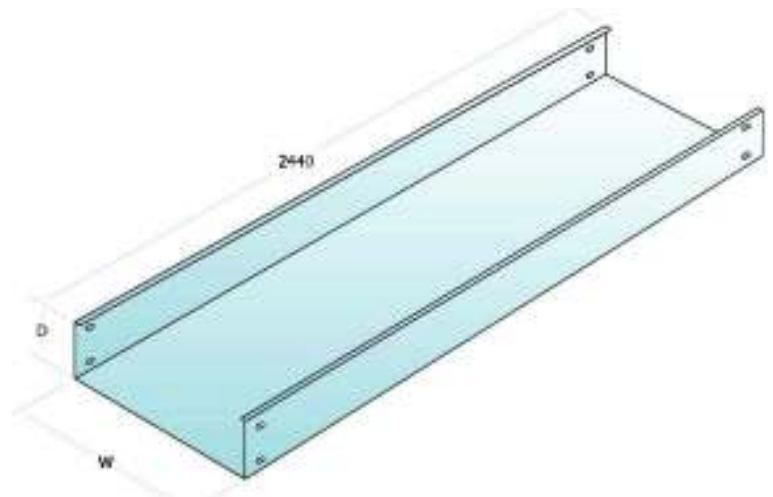
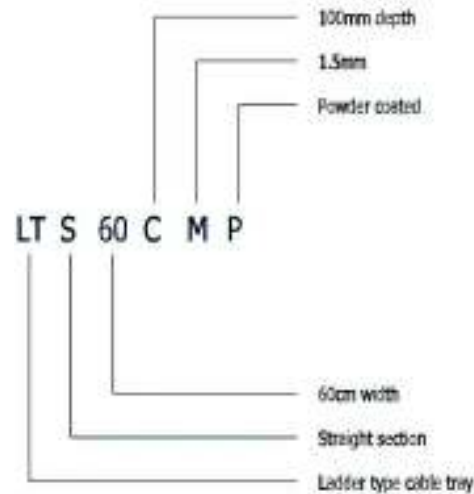
Pre galvanized

Hot dip galvanized

Powder coat painting

HORIZONTAL TEE

Example of catalog numbering system



CABLE TRAY COVERS

STANDERD DIMENSIONS

Length	2.44m (8ft) & 3.0m (10ft)
Depth	15mm
Width	10cm, 15cm, 30cm, 45cm,60cm,75cm,90cm
Sheet metal	18 Gauge(1.2mm)
Thickness	16 Gauge (1.5mm) 14 gauge (2.0mm)

Designs other than those listed above can be manufactured to meet special requirements

Material:

Primer quality GI & MS Sheet.

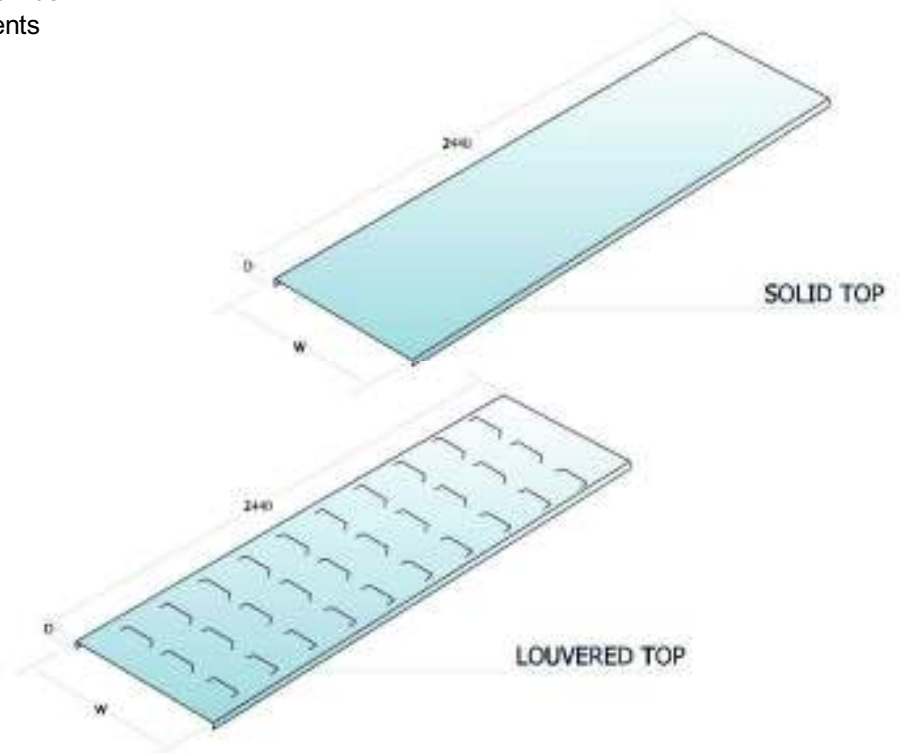
Finish (After fabrication):

Pre galvanized

Hot dip galvanized

Powder coat painting

STRAIGHT SECTION



CABLE TRAY ACCESSORIES

STANDERD DIMENSIONS

Length 2.44m (8ft) & 3.0m (10ft)

Depth 45mm

Width 42cm

Sheet metal

Thickness 12 Gauge (2.5mm)

Finish (After fabrication):

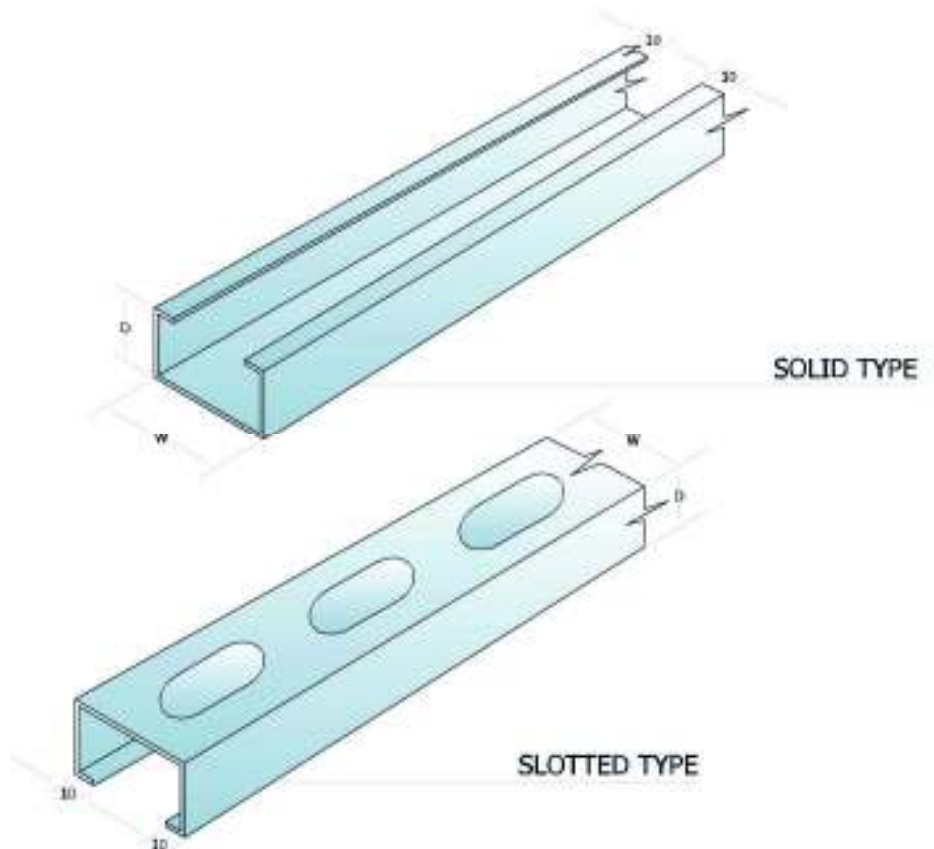
Pre galvanized

Hot dip galvanized

Powder coat painting

CHANNEL

Channels are available in solid bottom and slotted type



CABLE TRAY ACCESSORIES

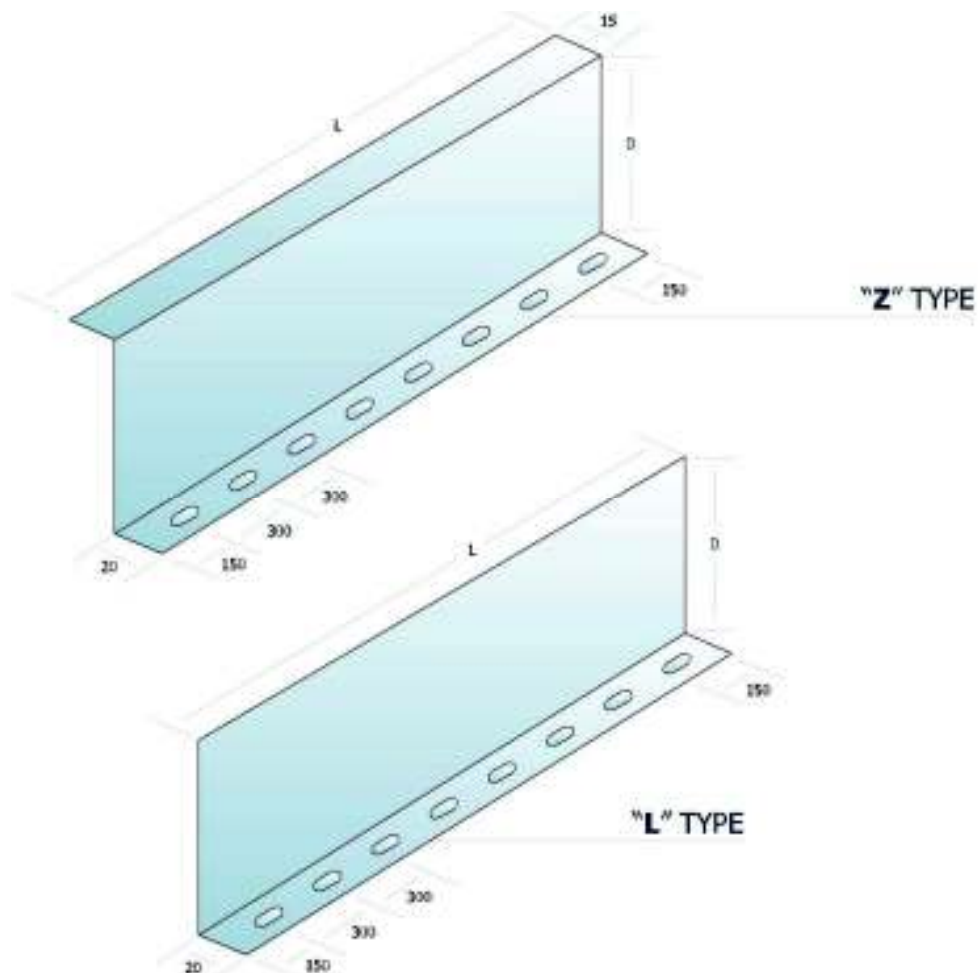
STANDERD DIMENSIONS

Length	2.44m (8ft) & 3.0m (10ft)
Depth	According to tray depth
Sheet metal	18 Gauge (1.2mm)
Thickness	16 Gauge (2.5mm)
	14 Gauge (2.0mm)

Finish (After fabrication):

- Pre galvanized
- Hot dip galvanized
- Powder coat painting

SEPERATOR



CABLE TRAY ACCESSORIES

STANDERD DIMENSIONS

Length 60mm

Depth 40mm

Sheet metal

Thickness 10 Gauge (3.0mm)

Finish (After fabrication):

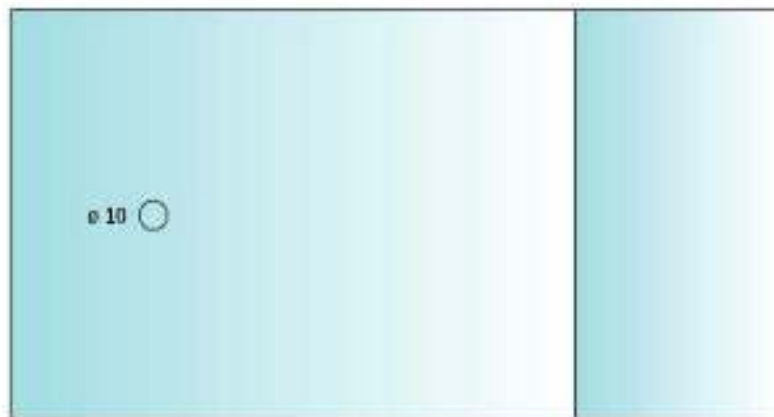
Pre galvanized

Hot dip galvanized

Powder coat painting

SIDE RAIL CLAMP

(FOR LADDER CABLE TRAY)



CABLE TRAY ACCESSORIES

STANDERD DIMENSIONS

Length 200mm
 Depth According to tray Depth
 Sheet metal
 Thickness As per tray Tf

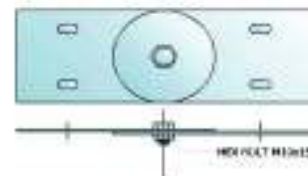
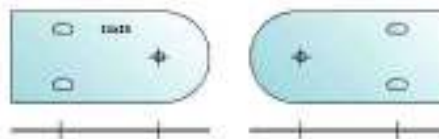
Finish (After fabrication):

- Pre galvanized
- Hot dip galvanized
- Powder coat painting

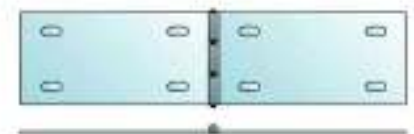
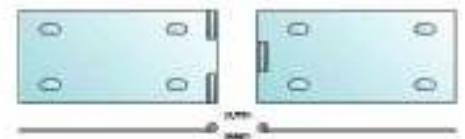
JOINING PLATE



RECTILINEAR JOINT



VERTICAL HINGED JOINT



HORIZONTAL HINGED JOINT

CABLE TRAY ACCESSORIES

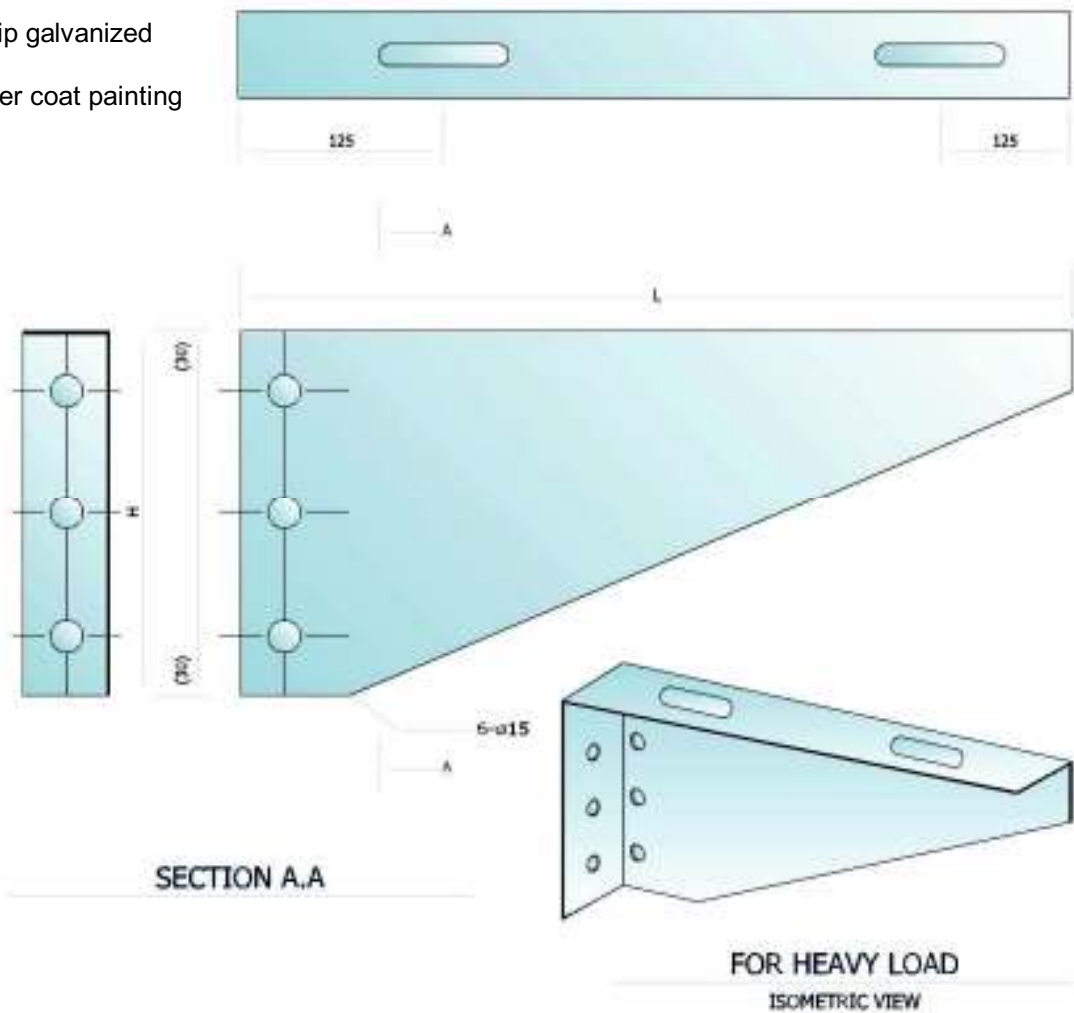
STANDERD DIMENSIONS

Length	200mm to 1000mm
Depth	140mm, 180mm
Sheet metal	
Thickness	14, 12 & 10 Gauge (2.0mm, 2.5 & 3.2mm)

Finish (After fabrication):

- Pre galvanized
- Hot dip galvanized
- Powder coat painting

BRACKET



CABLE TRAY ACCESSORIES

STANDERD DIMENSIONS

Length 600mm to 6000mm

Standard size of 40mm

Angle iron

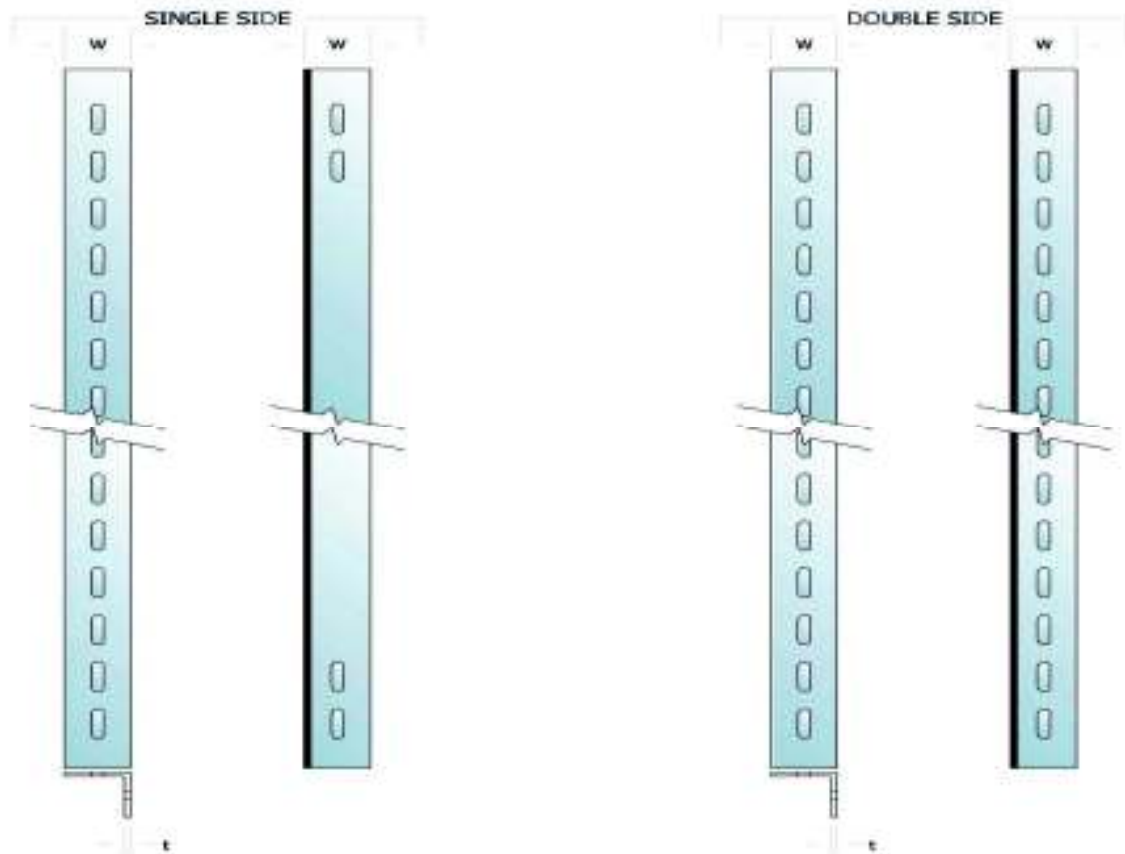
Thickness 4mm to 9mm

Finish (After fabrication):

Hot dip galvanized

Powder coat painting

HANGER POST



CABLE TRAY ACCESSORIES

STANDERD DIMENSIONS

Length 130mm

Width 150mm

Sheet Metal

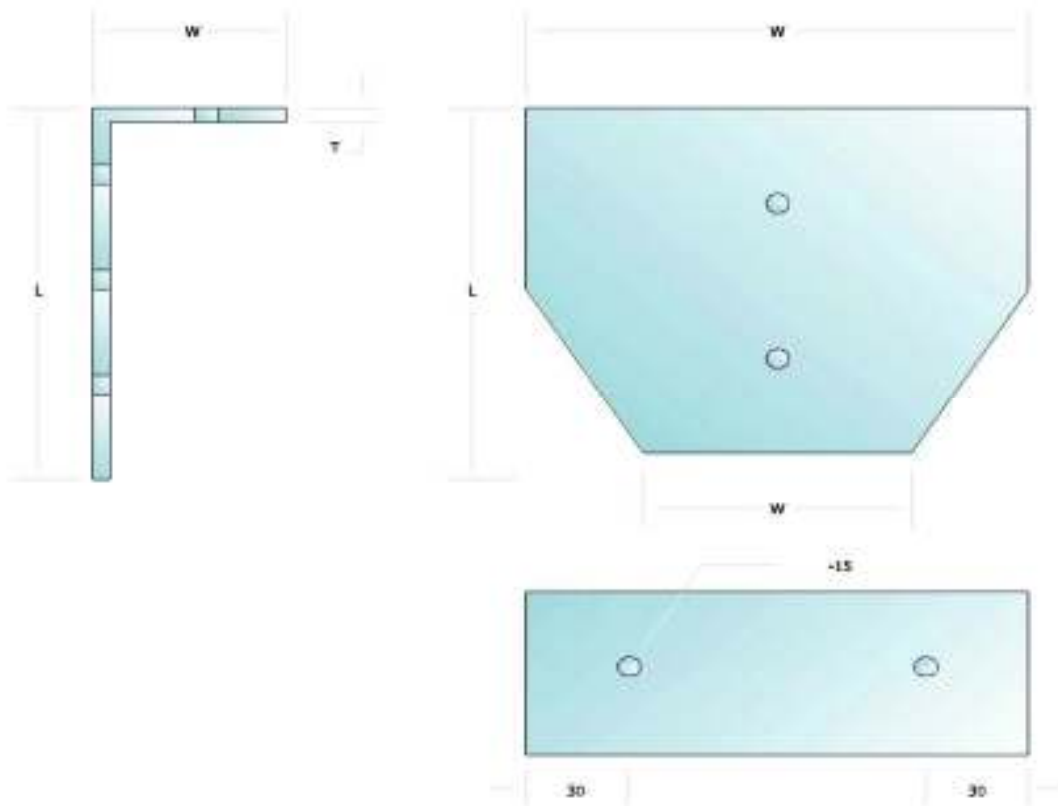
Thickness 6mm to 8mm

Finish (After fabrication):

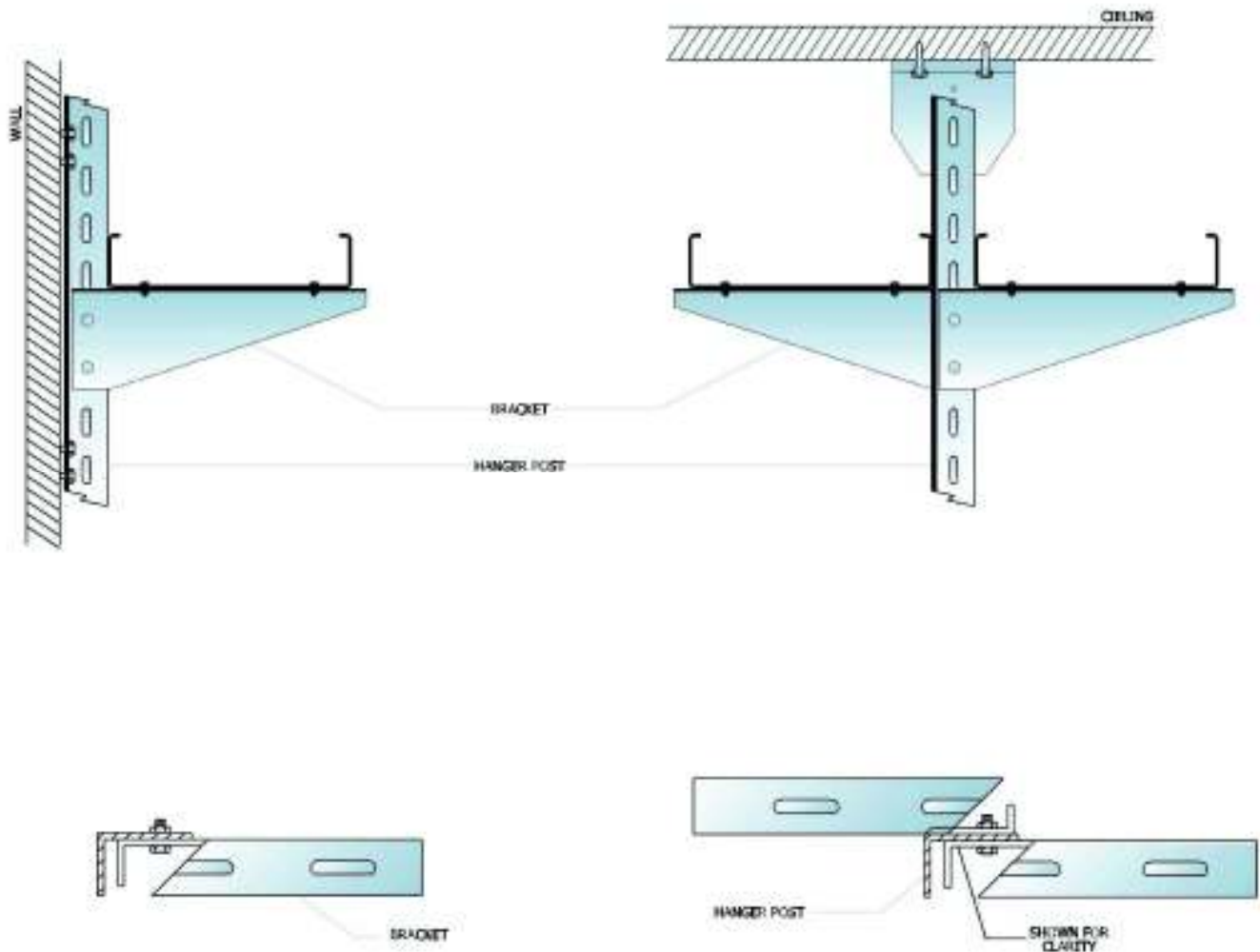
Hot dip galvanized

Powder coat painting

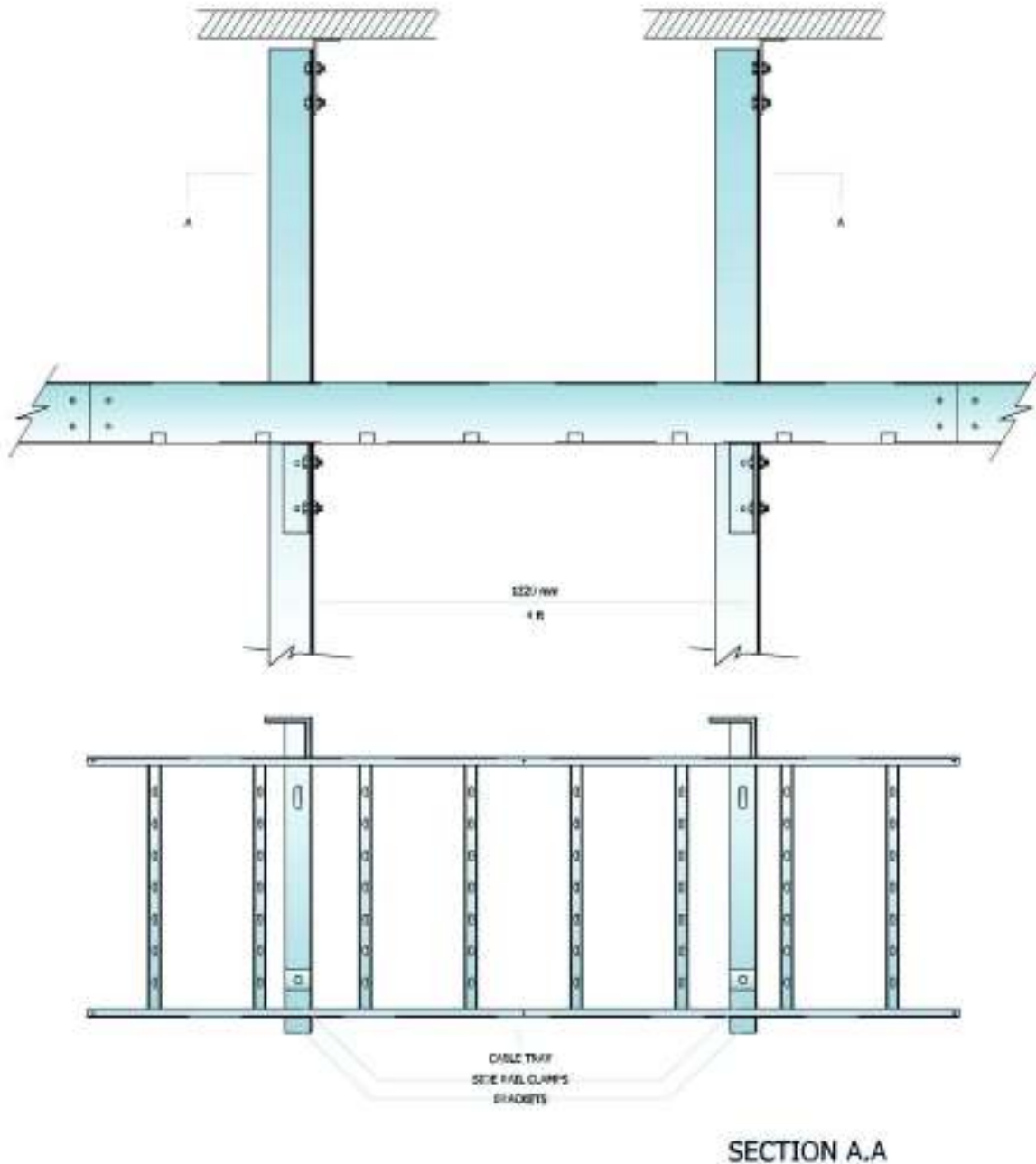
HEAD PLATE



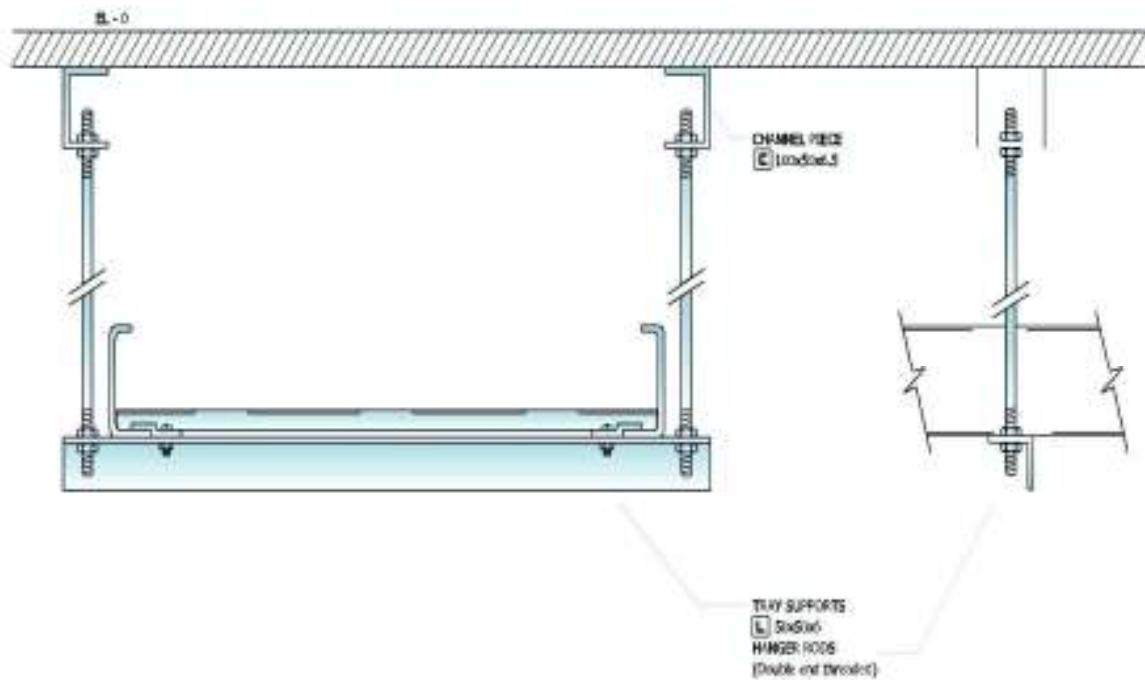
TYPICAL SUPPORT HANGER POST



HORIZONTAL SPACING OF HANGER POST



TYPICAL CABLE TRAY SUPPORT



Technological Innovation Energy Saving



MFD BY: -

S.R.ELECTRICAL Co.

554, Old Masuda Road, Outside Suraj Pole Gate

Beawar-305901 Dist.:- Ajmer (RAJ.) INDIA

Tele-fax: +91-1462-257089

Mob. : +91-9314488145, 9414259154, 9214882502

E-mail: srelctbwr2000@yahoo.co.in, srelctbwr2000@gmail.com

Webmail: <http://www.srelectricals.co.in>

