

MAGNETIC LEVEL INDICATOR

INTRODUCTION

Level Indicators are laterally to be flanged to the tank as a communicating pressure resistant vessel and serve for level measurement and supervision of liquids and liquified gases in open and closed tanks.

These can be used when instruments with high resistance to pressure and temperature are required or if sight glasses or similar indication parts for reasons of security cannot be used.

This measuring system is preferred because there is a safe pressure and gastight separation between measuring and indication part.

Therefore the instruments are suitable for a wide range of applications for the chemicals and pharmaceutical industries for the petrochemical industry, refineries, oil and fuel tanks, storage tanks, etc.

In a communicating float cage which can be flanged to a tank is a cylindrical float of stainless steel or plastic. A permanent magnet forms part of the float. Outside the liquid on the dry side a Magnetic Level Indication is fitted to the float cage.

MODEL NUMBER DESCRIPTION

ML - R Level Indicators with Magnetic rollers.

ML - D Level Indicators with Drag Magnet.

Model ML - R consists of red/white magnetic rollers equipped with small rod magnets are rotated one after another at an angle of 180° by the directed field of the permanent magnet of the float inside the float cage. Magnetic rollers rotate from white to red on rising level and from red to white on falling level or vice versa.

Model ML - D Magnetic Level Indicators consists of drag Magnet instead of Magnetic rollers. Drag magnet moves inside the glass tube which is fixed to the side of the float cage.

High & low alarm can be provided at two extreme positions.

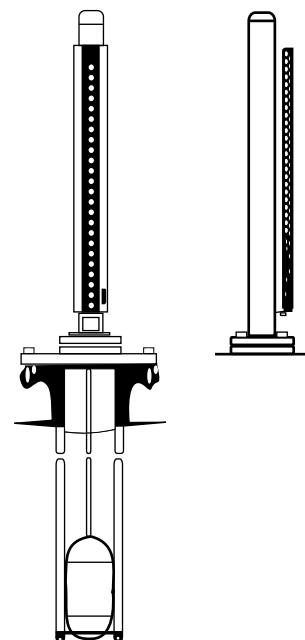
The level in a tank or agitating machine is permanently indicated as a red column even in the case of power Failure. Level Indicators are outside the liquid in Exzone I and can be used in hazardous atmosphere. It is possible to measure the level of aggressive, combustible, viscous, dangerous, toxic, hot, compressed, agitated and contaminated liquids with high precision and operability.

Three different models of magnetic level indicators are shown. The first is a blue model with a red column and a scale from 0 to 70. The second is a purple model with a red column and a scale from 0 to 70. The third is a silver model with a yellow column and a scale from 0 to 70. Each model has a flange at the top and a valve at the bottom.

A schematic diagram of a magnetic level indicator. It shows a vertical glass tube with a float inside. The float is connected to a magnet, which is in turn connected to a series of magnetic rollers. The rollers are shown rotating as the float moves up and down. The diagram also shows the float cage and the connection to the tank.

TECHNICAL SPECIFICATIONS

Process connection	1" Std flange.
Float cage	304/316 SS/PP/ Nylon
Centre to Centre distance	0.5 M.1 M. 1.5 M and 2 M Distances upto 6 M can be supplied for special requirements.
Operating pressure	10 kg/cm ² for style 1 & 15 kg/cm ² for style 2
Operating Temp. Indication	150°C Magnetic rollers : Model ML - R Drag Magnet : Model ML - D
Measuring Accuracy	± 5mm.
Auto control (optional)	Pump starts at Low Level, trips at High Level & vice-versa
Alarms (Optional)	High and low Level Alarms can be provided. Transisterised relay (optional) having SPDT contacts of 5 Amp. 230 V. Ac.



STYLE 1

APPLICATIONS

applicable for level measurement in open or closed tanks.

Applicable for level measurement and supervision of liquids and liquified gases.

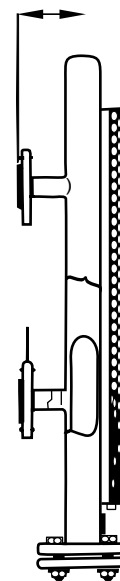
Applicable in all ranges of industry owing to corrosion resistant materials.

Applicable under extreme operating conditions.

Simple, sturdy, secure against fracture and non-serviced structure.

Pressure and gastight separation between measuring and indication part

Therefore the instruments are suitable for a wide range of applications for the chemicals and pharmaceutical industries for the petrochemical industry, refineries, oil and fuel tanks, storage tanks, etc.



STYLE 2

Continuous Development of our products may necessitate changes in these details without notice.

Kinshuk Controls & Enggs

Regd. Off. : C-42, New saraswati CGHS

Plot no. 26/1, Sector 9, Rohini, Delhi-110 085

Ph: 011-27561456, 47019011, Mob: 99100 52558

E-mail: kinshuk12@gmail.com, kce100@gmail.com