

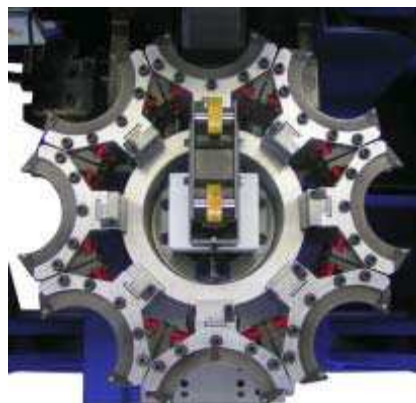
# Boschert Hydraulic Punching Machine Multipunch 1250x2500 Auto index

8 Stations all autoindexable for Revotool or Trumpf single tools size 1 and 2



## STANDARD EQUIPMENT

- **8 ATC tool stations** capable to hold:
  - Trumpf single auto index station tools size 1 or 2
  - Boschert auto index 8-way Revotool up to dia. 16 mm (1 with tools included)
  - Boschert auto index 6-way Revotool up to dia. 20 mm (not included)
  - Boschert auto index 4-way Revotool up to dia 25 (not included)



ATC carrousel with 8 cassettes

- Fast tool change in 3 up to 5 seconds



- **28 tons** hydraulic punching force
- **High accurate punch guiding** system. The tool is fitted directly in the piston so no additional clearance like on turret machines. This feature guarantees long tools life on punch and dies.
- **Smart auto clamp movement system**. Very fast set up of the clamps on to the required position
- **2 standard** height compensation **clamps** (up to 4 possible)
- **Auto repositioning** up to 10 m for large sheets
- **Easy sheet loading** system: sheet lifting device has 2 pneumatic cylinders to that lift the sheets, so that it can be easily moved to the clamps without human handling
- Set of keys and instruction manuals
- **Automatic removal of small parts** and scrap 300x200 mm



- **Waste removal** suction system to prevent pulling the slug to move up
- Programmable stroke adjustment
- Multitalk Memory extension with **USB and LAN connection** for Labod control

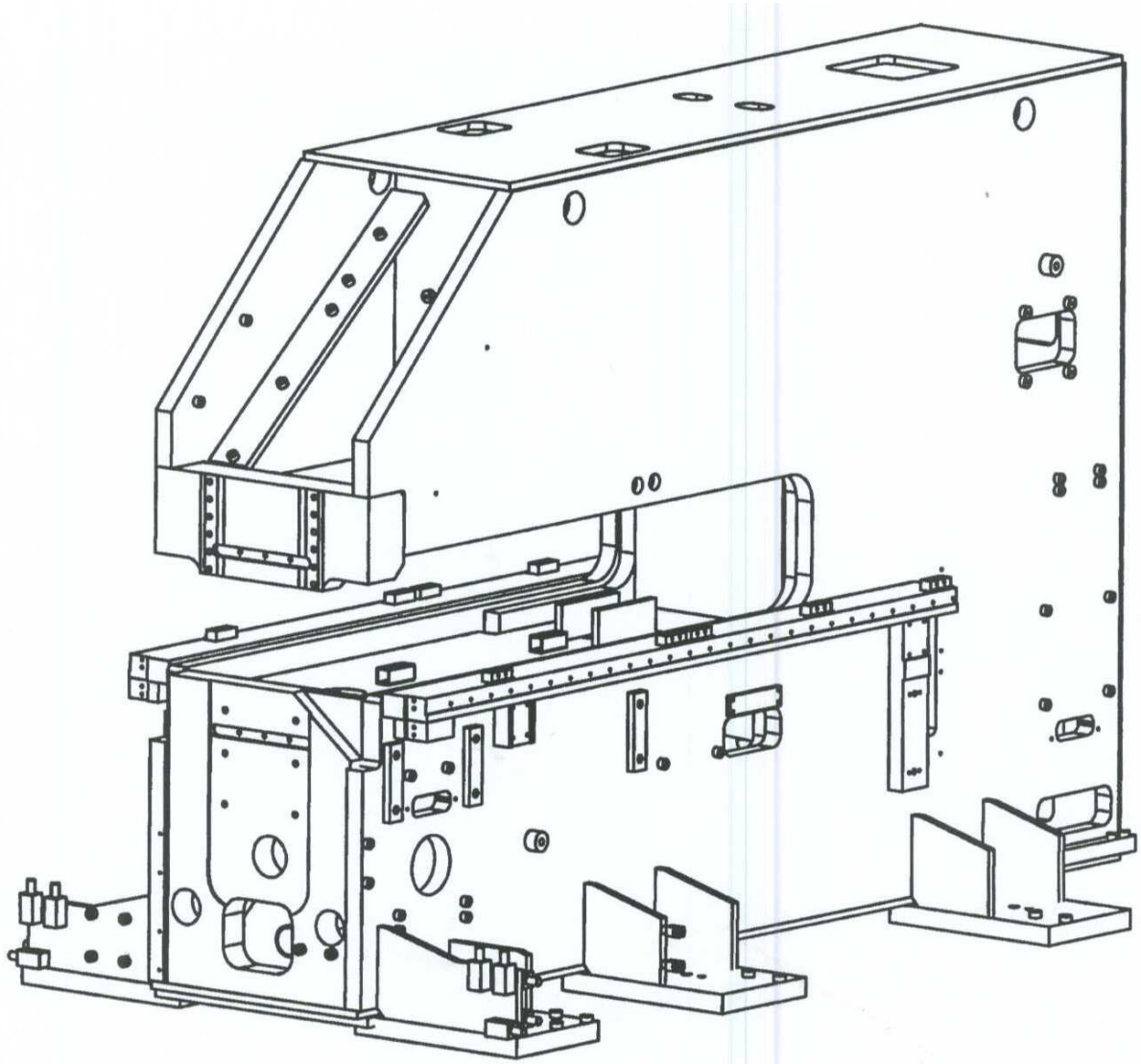
- **Safety light guards** in front of the machine
- Free **movable programming console** in front of the machine
- **TFT colour screen** (vibration-proof)
- **Silent punch system** - reduce noise level
- Possibility to do **Forming, Beading, Marking and Bending**
- **Fast High speed hydraulic system** (H&L) with low noise gear pump system and oil cooling
- Table surface with **brushes** for scratch free sheets or **balls** for heavy material
- 100 % **Made in Lörrach - Germany**
- Technical versatility
- Very good price/performance ratio
- Many options to choose from

#### Accessories included:

- **8 Tool cassettes for ATC magazine** In order to be able to place the punching tools in the ATC magazine, the tools have to be mounted in a tool cassette. They are simple to handle and exceptionally robust in regular operation.
- **6 Punch holder adaptation adaptors** with fast exchangeable device for Trumpf style tools
- **4 die holders size I** for ATC cassette
- **4 die holders size II** for ATC cassette
- **4 stripper holders** for steel stripper for ATC cassettes
- **1 Assembly device** for to load and unload tools to the cassettes
- **1 punch adjustment unit** to fix the location of the forming punch with the adjustment ring



- **Stable and accessible.** The design principle of all Boschert machines is an open C frame, which makes both the machine and workpiece accessible from three sides. There is plenty of room for loading and unloading the machine – manually or automatically. The rigid machine frame and work table are highly stable which prevents inaccuracies.



Software features:

- Easy to use graphic software
- Programmable safety area. Possibility to enter the stripper size for small punches to allow being very close at to the clamp.
- Stroke counter at for every tool to check maintain the tool livelife
- Regrind set up automatically sets stroke length to compensate for tool grinding
- Very user-friendly

Optional:

- Spray lubrication system for longer tool live at nibbling requirements and use of Aluminium.
- Tapping and drilling attachment for threads M3 up to M12 and smaller drilled holes in thick sheets.
- CNC CAD Software Metalix allows external programming on office PC, capable of import/export CAD files (dxf/dwg).

**Installation/commissioning/training:**

For travelling, installation, commissioning of the machine as well as training of the operator on the CNC-Controller a period of approx. 4 days is required.

Technical auxiliary means and man power have to be provided free of charge during the time of installation.

Delays, being caused by the purchaser, are charged separately.

Delivery time : approx. 12 weeks after placing order  
Delivery : ex works, unpacked, acc.Incoterm 2000  
Validity of the offer : 3 months

**Payment:**

30 % down payment after receipt of order

60 % after presentation of shipping documents, before delivery

10 % after installation and commissioning, at the latest one month after delivery, in case if the acceptance test is postponed for reasons we are not responsible for.

Or against irrevocable and confirmed Letter of Credit to be opened in our favour with

**Sparkasse Lörrach, Germany**

BIC/SWIFT SOLADES1LOE

Account No. 1022888

IBAN-No. DE41683500480001022888

**Warranty for machine:**

We are liable for defects excluding further demands according to our „General Terms and Conditions“. We guarantee quality and durability of the material as well as workmanship and irreproachable work of the machine for a period of 12 months respectively 2000 working hours after commissioning, whatever happens at first but not longer than 15 months after shipment, if shipping or commissioning have been delayed for reasons for which we are not responsible.

We do not take over responsibility for incorrect service, insufficient maintenance as well as for damages by force.

A demand on guarantee is only possible, if original spare and wear parts of Boschert are used.

We do not take over guarantee for wear parts like cutting torch, nozzles, sensing ring with cable and terminal on capacitive height sensor etc.

If after the commissioning and during the period of guarantee a plasma power source should be installed by the customer or a third person we have to refuse the guarantee too.

**To be provided by the customer for Boschert Multipunch:**

Concrete floor (recommended thickness 200 mm)

Compressed air connection – 6 bars

Primary power cable

Required power supply

**Ownership:**

The articles supplied by Boschert shall remain a property of Boschert until all its claims against the purchaser, including forthcoming ones, have been completely satisfied, all the same on which legal argument they are based.