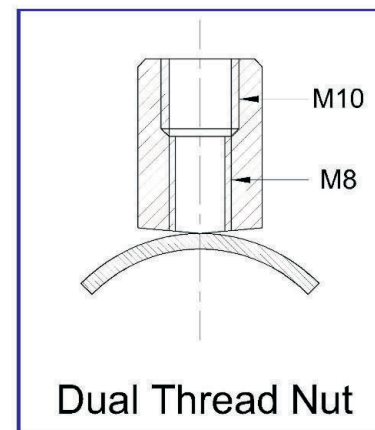
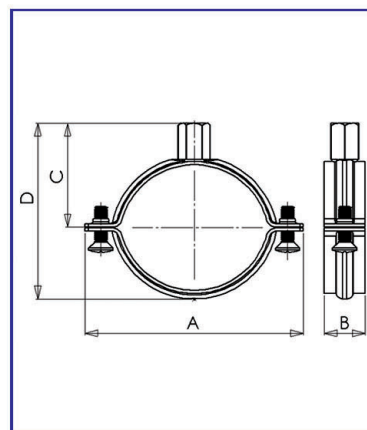
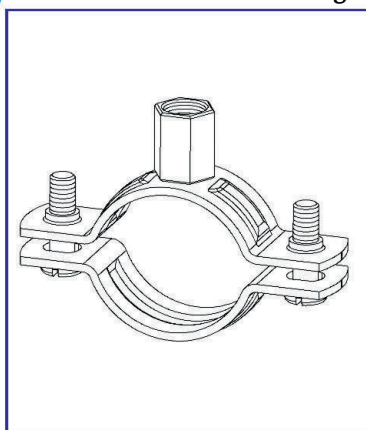


## Plain Split Clamps

Catalogue Number : 8000100 : Rev. 01 Dated 07-10-2014

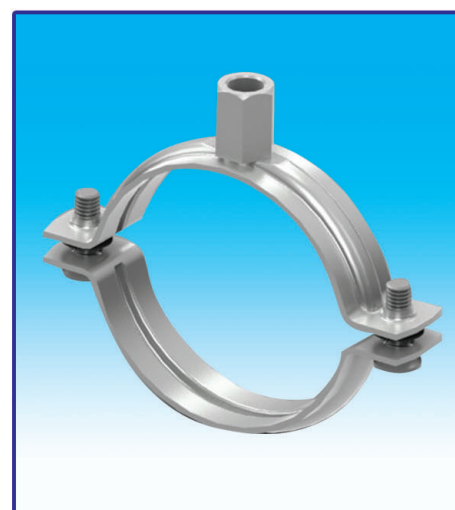


SELECTION TABLE (Table No: B-01-01)

Model No.	Range	Size (inch)	Nominal OD (mm)	Dimension (mm)				Thick (mm)	Safe Load (Kgs)
				A	B	C	D		
SPSC018	15-18	3/8	15	59	20	23	30	1.5	125
SPSC022	18-22	1/2	22	66	20	26	37	1.5	125
SPSC028	23-28	3/4	28	72	20	29	43	1.5	125
SPSC035	30-35	1	35	79	20	33	50	1.5	125
SPSC040	38-43	1 ¼	40	86	20	36	57	1.5	125
SPSC048	45-50	1 ½	48	92	20	39	63	1.5	125
SPSC054			54	98	20	42	69	1.5	125
SPSC060	58-63	2	60	104	20	45	75	1.5	125
SPSC063			63	108	20	47	72	1.5	125
SPSC070			70	114	20	50	85	1.5	150
SPSC075	70-76	2 ½	75	119	20	53	90	2	150
SPSC083			83	127	20	57	98	2	150
SPSC090	87-95	3	90	134	20	60	105	2	150
SPSC100	96-104	3 ½	100	144	20	65	115	2	150
SPSC110			110	154	20	70	125	2	150
SPSC115	105-114	4	115	159	20	73	130	2	200
SPSC125			125	169	20	78	140	2	200
SPSC133			133	177	20	82	148	2	200
SPSC140	132-140	5	140	184	20	85	155	2.5	200
SPSC150			150	194	20	90	165	2.5	200
SPSC160			160	204	25	95	175	2.5	200
SPSC168	164-175	6	168	212	25	99	183	2.5	200
SPSC200	214-225	8	200	244	25	115	215	2.5	200
SPSC220			220	264	25	125	235	2.5	200
SPSC250	271-283	10	250	294	25	140	265	2.5	300
SPSC315	315-331	12	315	359	25	173	330	2.5	300

## APPLICATION (Table No: B-02-01)

Model No.	Steel (SCH 40)		UPVC / PE	ABS
	Inches	mm		
SPSCC018				16
SPSCC022	½	22	20	DN15 (21.4)
SPSCC028	¾	28	25	DN20 (26.8)
SPSCC035	1	35	32, 38	DN25 (33.6)
SPSCC040	1 ¼	42	40, 43	DN32 (42.3)
SPSCC048	1 ½	48	45	DN40 (48.3)
SPSCC054			54	
SPSCC060	2	60	60	DN50 (60.4)
SPSCC063				
SPSCC070			70	
SPSCC075	2 ½	75	75	DN65 (75.4)
SPSCC083			83	
SPSCC090	3	90	90	
SPSCC100			102	DN80 (88.9)
SPSCC110			110	
SPSCC115	4	115	115	DN100 (114.3)
SPSCC125			125	
SPSCC133			135	
SPSCC140	5	140	140	DN125 (140.2)
SPSCC150			152	
SPSCC160			160	
SPSCC168	6		168	DN150 (168.3)
SPSCC200			200	
SPSCC220	8	219	220, 225	DN200 (225.0)
SPSCC250			250	DN225 (250.4)
SPSCC315				DN300 (315.5)



Plain Split Clamps

### 1. Compliance:

- Federal Specification AS-A-1192 (Type 1)
- MSS-SP58 (Type 1)
- MSS-SP69
- WW-H-171E (Type 1)
- EG-ASTMB 633 SC3, BS 1706 FE / ZN 12

2. **Material** : Mild Steel electrogalvanised.

3. **Application** : Ceiling suspension or vertical wall mounting of piping.

### 4. Features :

- Both clamps are ribbed for providing additional strength
- Lips are provided with additional thread lengths by means of extended collared tap holes.
- For pipe size, OD 100 mm and above, welded side nuts have been provided.
- Suspension nuts have twin threads, M8, M10 for flexibility of installation.
- Side bolts have slotted cross head for ease of tightening.

### 5. Selection / Ordering :

- Pipe OD / pipe size plus insulation thickness.
- Indicate if Starline Rubber Inserts are proposed to be used. (for automatic selection of clamp).
- Hot Dip Galvanised Finish (Suffix "HDG")
- EPDM Lined (Suffix "R")
- Epoxy Powder Coated Finish (Suffix "P")
- Stainless Steel Construction (Suffix "SS")

## Note:

- Due to policy of continual improvement, the specifications are subject to change without prior notice
- Measurements are subject to 5% tolerance
- To achieve good sound suppression, do not overload fitting.

