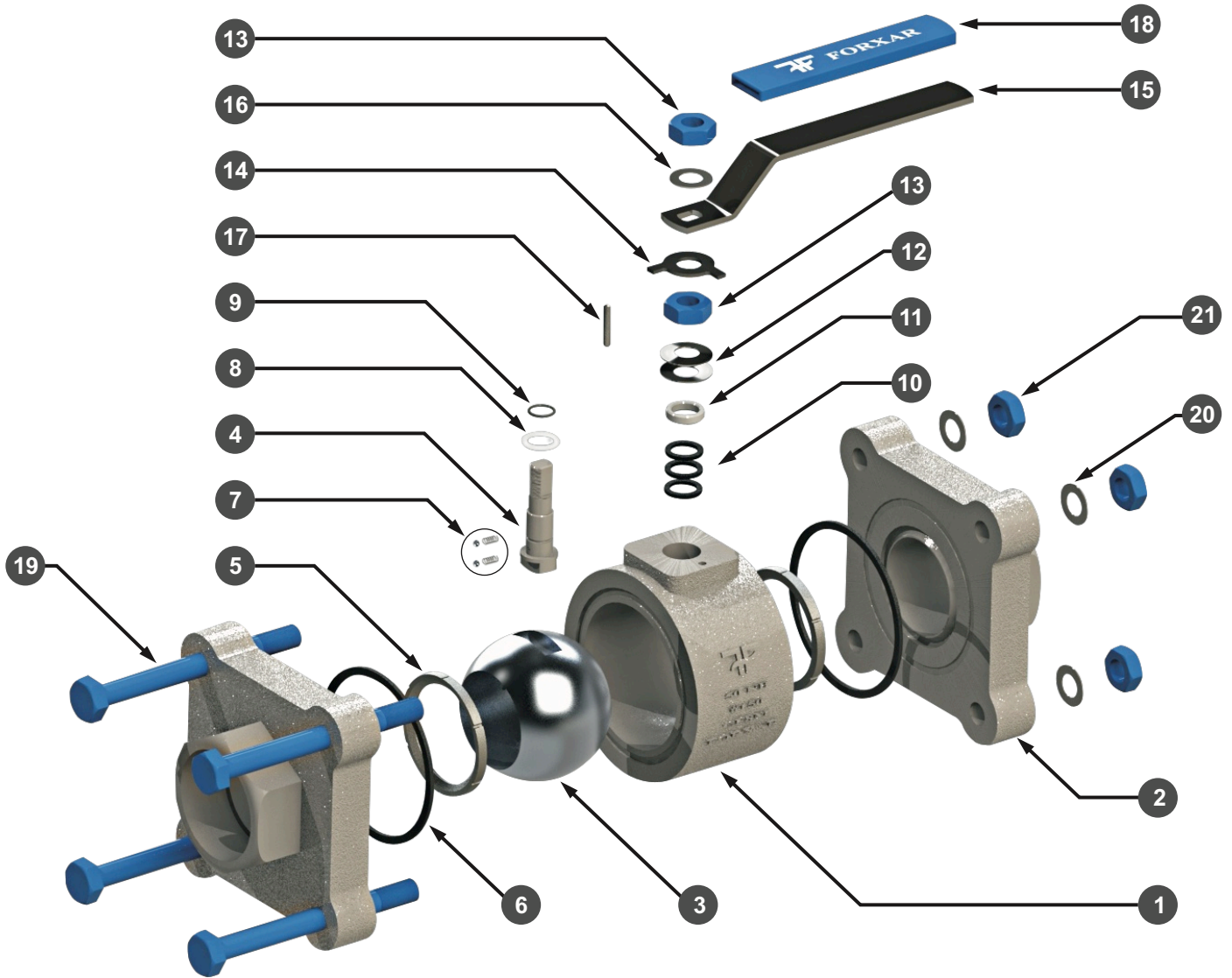


Three-piece Ball Valves Exploded View

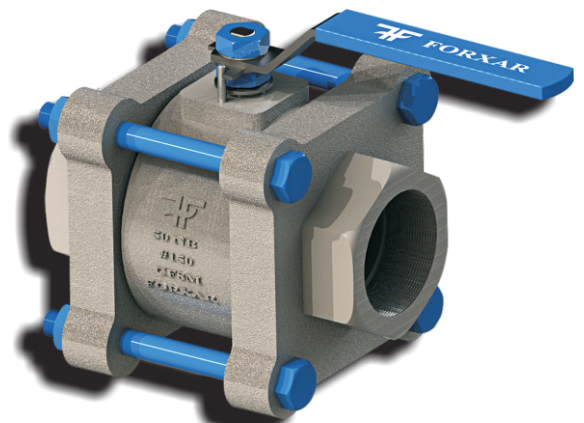
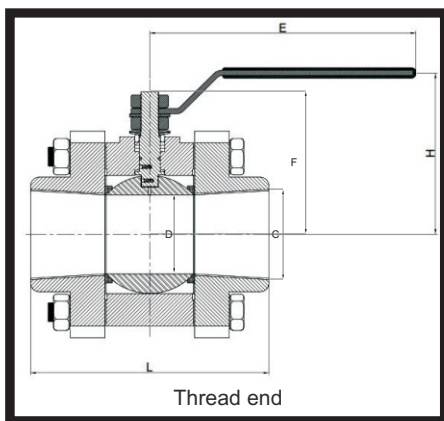
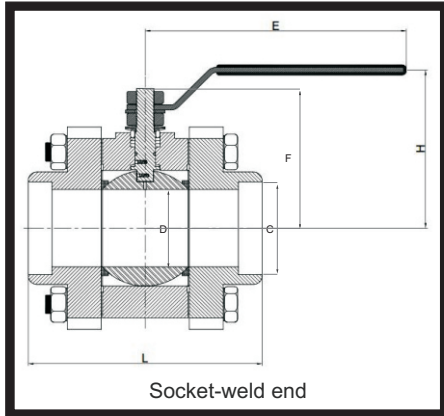


Component Name & Quantity

No.	Component Name	Qty.
1	Body	1
2	Body Adaptor	2
3	Ball	1
4	Stem	1
5	Seat Ring	2
6	Gasket	2
7	Anti-Static Device	2
8	Stem Bottom Bush	1
9	Stem "O" Ring	1
10	Gland Packing	3
11	Gland Bush	1

No.	Component Name	Qty.
12	Spring Washer	2
13	Gland Nut	2
14	Lever Stopper	1
15	Lever	1
16	Indicator or Washer	1
17	Stopper Pin	1
18	Lever Grip	1
19	Body Bolt	4
20	Body Washer	4
21	Body Nut	4

Three-piece Ball Valves - Full Bore
 (ASME Class 800, 1500 & 2500)



Dimensions

Screwed/ Socket-weld end

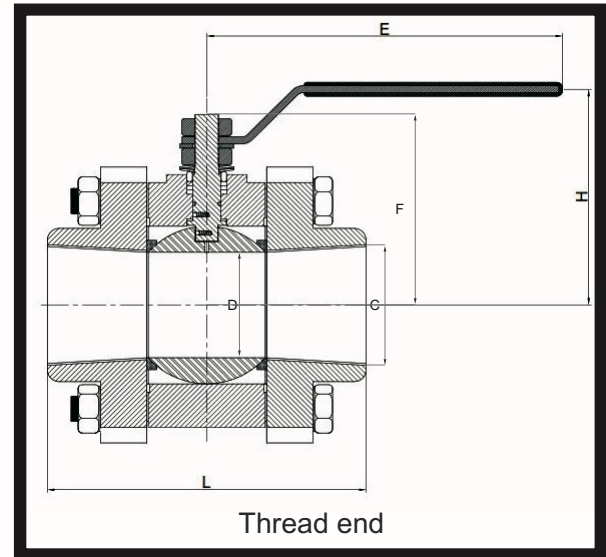
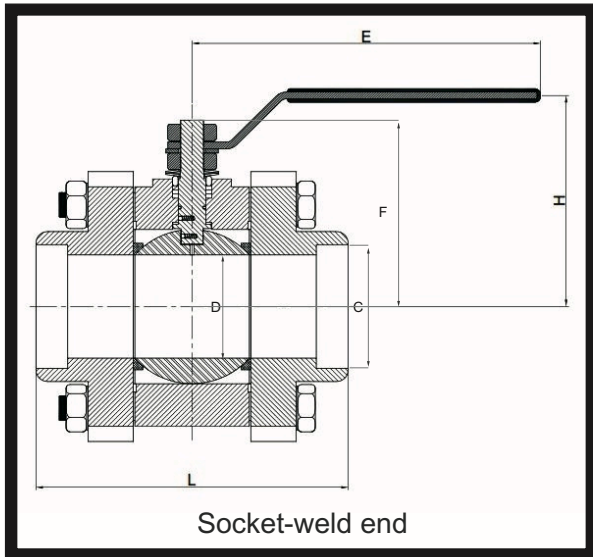
Size		L	C		D	F	E	H	Wt.
DN	NPS		SW	NPT					
8	1/4	62	14.6 - 14.2	1/4" - 18	11	38	132	50	1
10	3/8	62	18.0 - 17.6	3/8" - 18	11	38	132	50	1
15	1/2	66	22.2 - 21.8	1/2" - 14	11	38	132	50	1
20	3/4	75	27.6 - 27.2	3/4" - 14	17	46	132	58	1
25	1	92	34.3 - 33.9	1" - 11.5	24	54	162	65	2
32	1 1/4	114	43.1 - 42.7	1 1/4" - 11.5	37	75	192	83	4
40	1 1/2	114	49.2 - 48.8	1 1/2" - 11.5	37	75	192	83	4
50	2	132	61.7 - 61.2	2" - 11.5	49	87	202	94	6
65	2 1/2	185	74.4 - 73.9	2 1/2" - 8	62	200	390	200	15.5
80	3	208	90.3 - 89.8	3" - 8	74	225	390	225	25
100	4	240	115.7 - 115.2	4" - 8	98	250	600	250	39

All dimensions in mm and weights in kg

Screwed/ socket-weld valves in sizes DN 8 to DN 50 have a body rating of Class 800.

Three-piece Ball Valves - Full Bore

(ASME Class 800, 1500 & 2500)



Dimensions

Full Bore 3-piece # 800							
Size							
NPS	DN	A	B	C	OD	E	ISO5211
1/4	8	68	59	43	9.5	170	36 F03
3/8	10	68	59	43	9.5	170	36 F03
1/2	15	72	59	45	15	170	36 F03
3/4	20	94	72	59	20	215	42 F04
1	25	106	72	62	25	215	42 F04
1 1/2	40	125.5	109	89	40	245	50 F05
2	50	128	114	89	50	300	50 F05

Full Bore 3-piece # 1500							
Size							
NPS	DN	A	B	C	OD	E	ISO5211
1/4	8	84	59	42	9.5	170	36 F03
3/8	10	84	59	42	9.5	170	36 F03
1/2	15	104	66	49	15	170	36 F03
3/4	20	127	86	66	20	245	50 F05
1	25	134	91	70	25	245	50 F05
1 1/2	40	200	111	101.5	40	350	70 F07
2	50	222	142	117.7	49	375	70 F07

All dimensions in mm and weights in kg
 Screwed/ socket-weld valves in sizes DN 8 to DN 50 have a body rating of Class 800.

Ordering Information of Ball Valves

As Per Our Design

1) Type of Valves	
Types	Nomen.
1 Piece Ball Valve	1BV
2 Piece Ball Valve	2BV
3 Piece Ball Valve	3BV
Flush Bottom Ball Valve	FBV
Jacketed Type Ball Valve	JBV
Three Way Ball Valve	3WBV
2 Piece Trunnion Mounted Ball Valve	2TBV
3 Piece Trunnion Mounted Ball Valve	3TBV

2) Materials	
Type Of Materials	Nomen.
S S310	S1
Ss304 / ASTM A182 Gr. F304	S4
SS304 L	S4L
SS316	S6
SS316L	S6L
SS317	S7
SS321	S21
SS446	S46
Monal 400	M4
Incoloy 625	I6
Incoloy 825	I8
Carbon Steel	CS
A105	A1
Alloy 20	A20
ASTM A182 F51 (Duplex F51)	F51
ASTM A182 F60 (Duplex F60)	F60
ASTM A182 F53 (Super Duplex F53)	F53
ASTM A312 TP 304L	P4L
ASTM A182 F11	F11
ASTM A182 GR F5	F5
ASTM A312 TP 304	TP4
Hastelloy C276	HC2
A350 Gr. LF1/ LF2/ LF3	LF2
SS410	S41
ASTM A240 TP 316L	P6L
Inconel-600	I60
ASTM A234 Gr. WPB	WPB
Mild Steel	MS
Nickel Alloy	NA
Galvanized	GLV

3) Sizes	
Size	Nomen.
1/8"	6
1/4"	8
3/8"	10
1/2"	15
3/4"	20
1"	25
1 1/4"	32
1 1/2"	40
2"	50
2 1/2"	65
3"	80
4"	100
5"	125
6"	150
8"	200
10"	250
12"	300
14"	350
16"	400
18"	450
20"	500
22"	550
24"	600
26"	650
28"	700
30"	750
32"	800
36"	900

4) Type Of Bore	
Type	Nomen.
Full Bore	FB
Reduced Bore	RB

5) Type of End Connections.	
Type	Nomen.
Flange End	FL
Butt Weld End	BW
Socket Weld End	SW
Tounge & Groove	TG
Ring Type Joint	RTJ
NPT Threaded	NT
BSPT Threaded	BT
SW NPT	SN

6) Type Of Class	
Types	Nomen.
Class 150	#150
Class 300	#300
Class 400	#400
Class 600	#600
Class 900	#900
Class 1500	#1500
Class 2500	#2500
Class 4500	#4500
Sch 10	S10
Sch 20	S20
Sch 40	S40
Sch 80	S80
Sch 160	S160
Sch XXS	SXXS
Table F	F
Table E	E
Table D	D

7) Special Requirement	
Types	Nomen.
IBR	IBR
Fire Safe	FS

8) Operating System	
Types	Nomen.
Lever Operated	1 / L
Gear Unit	2 / G
Pneumatic	3 / P
Electric	4 / E

Ex. 1 PIECE BALL VALVE, 100NB, FLANGE END
ASTM 182 A SS 316 FULL BORE #300, WITH IBR = 1BV-S6-100FB-FL-#300-IBR