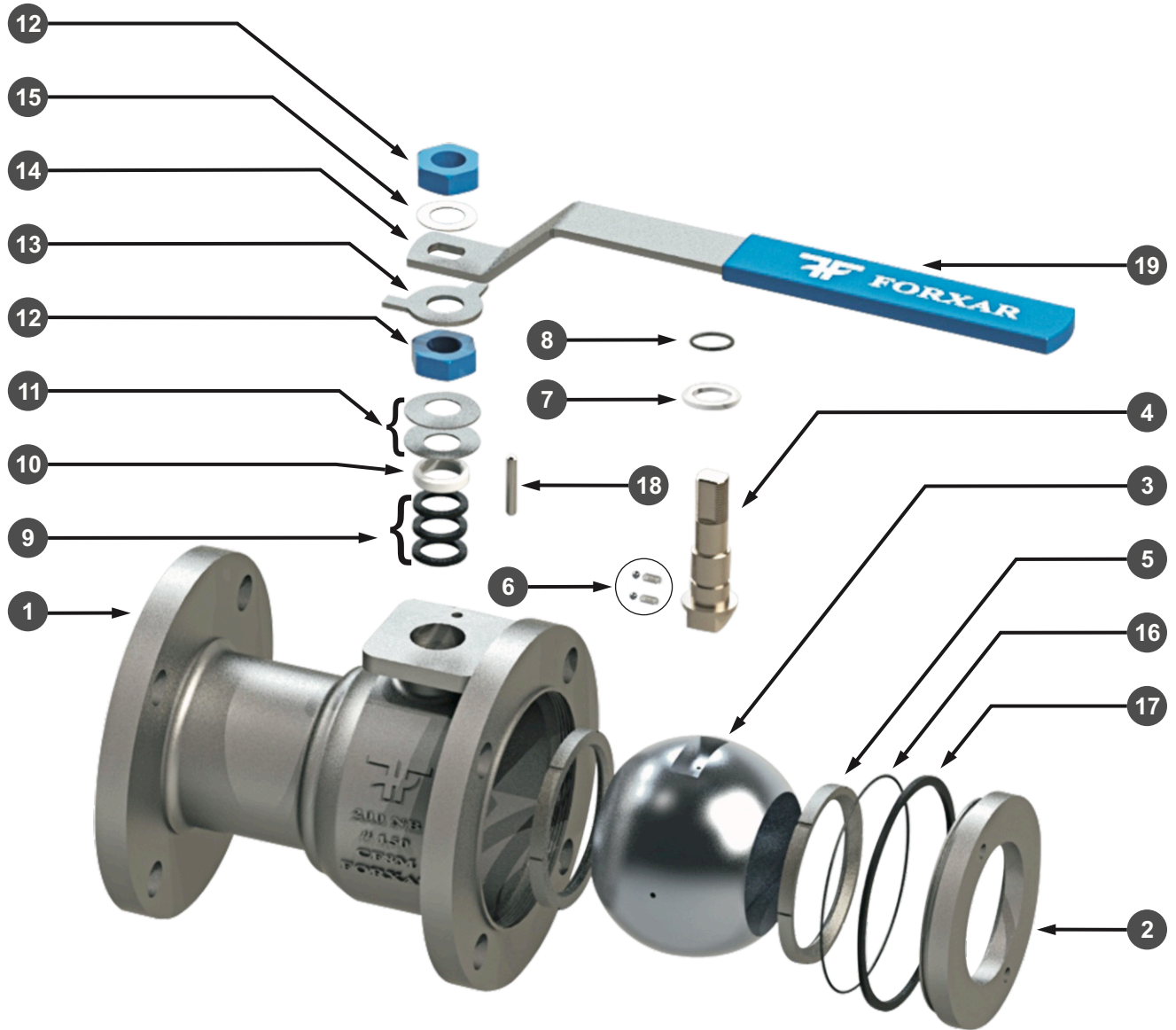


Single-piece Ball Valves Exploded View

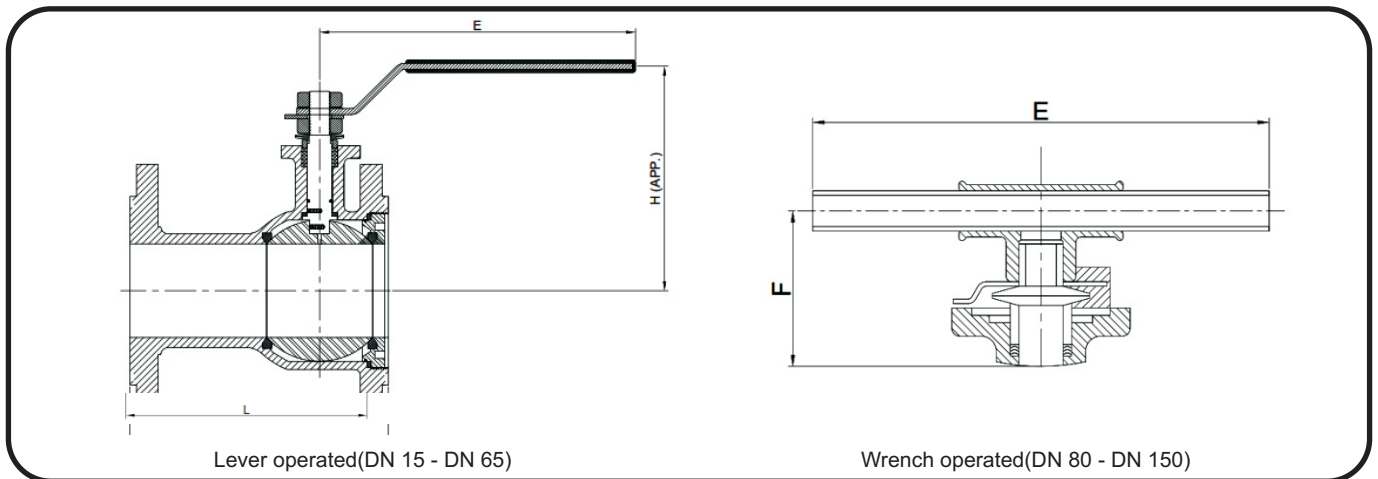


Component Name & Quantity

No.	Component Name	Qty.	No.	Component Name	Qty.
1	Body	1	11	Spring Washer	2
2	Adaptor	1	12	Gland Nut	2
3	Ball	1	13	Lever Stopper	1
4	Stem	1	14	Lever	1
5	Seat Ring	2	15	Indicator or Washer" Ring	1
6	Anti-Static Device	2	16	End Piece "O" Ring	1
7	Stem Bottom Bush	1	17	Gasket	1
8	Stem "O" Ring	1	18	Stopper Pin	1
9	Gland Packing	3	19	Lever Grip	1
10	Gland Bush	1			

Single-piece Ball Valves Regular Bore

(ASME Class 150 & 300)



Lever operated(DN 15 - DN 65)

Wrench operated(DN 80 - DN 150)

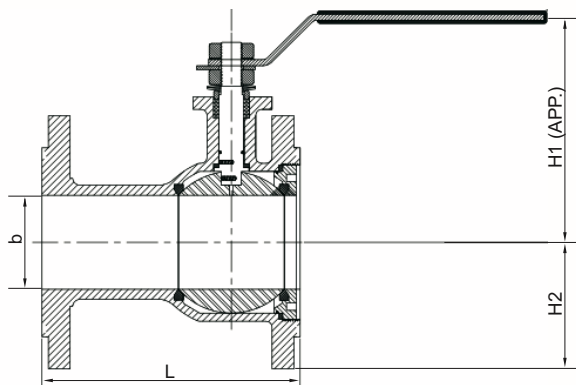
Dimensions

Size		L		H	E	F	Wt.		ISO 5211 Base	
DN	NPS	CI 150	CI 300				CI 150	CI 300	CI 150	CI 300
15	1/2	108	140	90	120	38	1	2	F03	F03
20	3/4	117	152	90	120	38	1	2.5	F03	F03
25	1	127	165	100	140	46	2	4	F03	F03
40	1 1/2	165	190	115	180	56	4	4.5	F04	F04
50	2	178	216	122	210	75	6.5	9	F05	F05
65	2 1/2	190	241	142	210	102	11	15	F07	F07
80	3	203	282	-	390	175	15.5	22	F07	F07
100	4	229	305	-	390	195	25	35	F07	F07
150	6	267	403	-	*	245	40	65	F10	F12

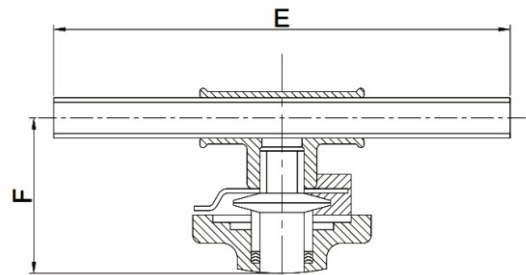
- All dimensions in mm and weights in kg • *600 mm for CI 150 & 890 mm for CI 300
- API 6D design valves are also available on demand

Single-piece Ball Valves Regular Bore

(ASME Class 600 & 900)



Lever operated(DN 15 - DN 65)



Wrench operated(DN 80 - DN 150)

Dimensions

Full Bore 1-piece # 600						Full Bore 1-piece # 900					
Size						Size					
NPS	DN	Bore D	L	H1	H2	NPS	DN	Bore D	L	H1	H2
2	50	51	292	176	119	2	50	51	368	192	142
3	80	76	356	247	147	3	80	76	381	279	172
4	100	102	432	276	172	4	100	102	457	315	205
6	150	152	5659	363	250	6	150	152	610	323	272
8	200	203	660	363	318	8	200	203	737	381	335
10	250	254	787	426	372	10	250	254	838	518	406
12	300	305	838	548	434	12	300	305	965	568	461
14	350	337	889	598	484	14	350	324	1029	665	513
16	400	387	991	648	534	16	400	375	1130	730	583
18	450	438	1092	740	590	18	450	426	1219	795	646
20	500	489	1194	810	658	20	500	473	1321	825	706
24	600	591	1397	920	766	24	600	572	1549	973	831

• All dimensions in mm and weights in kg.

Ordering Information of Ball Valves

As Per Our Design

1) Type of Valves	
Types	Nomen.
1 Piece Ball Valve	1BV
2 Piece Ball Valve	2BV
3 Piece Ball Valve	3BV
Flush Bottom Ball Valve	FBV
Jacketed Type Ball Valve	JBV
Three Way Ball Valve	3WBV
2 Piece Trunnion Mounted Ball Valve	2TBV
3 Piece Trunnion Mounted Ball Valve	3TBV

2) Materials	
Type Of Materials	Nomen.
S S310	S1
Ss304 / ASTM A182 Gr. F304	S4
SS304 L	S4L
SS316	S6
SS316L	S6L
SS317	S7
SS321	S21
SS446	S46
Monal 400	M4
Incoloy 625	I6
Incoloy 825	I8
Carbon Steel	CS
A105	A1
Alloy 20	A20
ASTM A182 F51 (Duplex F51)	F51
ASTM A182 F60 (Duplex F60)	F60
ASTM A182 F53 (Super Duplex F53)	F53
ASTM A312 TP 304L	P4L
ASTM A182 F11	F11
ASTM A182 GR F5	F5
ASTM A312 TP 304	TP4
Hastelloy C276	HC2
A350 Gr. LF1/ LF2/ LF3	LF2
SS410	S41
ASTM A240 TP 316L	P6L
Inconel-600	I60
ASTM A234 Gr. WPB	WPB
Mild Steel	MS
Nickel Alloy	NA
Galvanized	GLV

3) Sizes	
Size	Nomen.
1/8"	6
1/4"	8
3/8"	10
1/2"	15
3/4"	20
1"	25
1 1/4"	32
1 1/2"	40
2"	50
2 1/2"	65
3"	80
4"	100
5"	125
6"	150
8"	200
10"	250
12"	300
14"	350
16"	400
18"	450
20"	500
22"	550
24"	600
26"	650
28"	700
30"	750
32"	800
36"	900

4) Type Of Bore	
Type	Nomen.
Full Bore	FB
Reduced Bore	RB

5) Type of End Connections.	
Type	Nomen.
Flange End	FL
Butt Weld End	BW
Socket Weld End	SW
Tounge & Groove	TG
Ring Type Joint	RTJ
NPT Threaded	NT
BSPT Threaded	BT
SW NPT	SN

6) Type Of Class	
Types	Nomen.
Class 150	#150
Class 300	#300
Class 400	#400
Class 600	#600
Class 900	#900
Class 1500	#1500
Class 2500	#2500
Class 4500	#4500
Sch 10	S10
Sch 20	S20
Sch 40	S40
Sch 80	S80
Sch 160	S160
Sch XXS	SXXS
Table F	F
Table E	E
Table D	D

7) Special Requirement	
Types	Nomen.
IBR	IBR
Fire Safe	FS

8) Operating System	
Types	Nomen.
Lever Operated	1 / L
Gear Unit	2 / G
Pneumatic	3 / P
Electric	4 / E

Ex. 1 PIECE BALL VALVE, 100NB, FLANGE END
ASTM 182 A SS 316 FULL BORE #300, WITH IBR = 1BV-S6-100FB-FL-#300-IBR