

Cremonese Luna con manico disassato

Manico in alluminio pressofuso e cassa in zama. Si differisce dalla cremonese base perché oltre ad avere una pinna unica di trasmissione ha il manico disassato per facilitare la presa visto che deve essere applicata sul traverso inferiore di finestre ad apertura esterna. Può essere fornita destra o sinistra in base alla finestra da realizzare e si utilizza sui nostri sistemi di

articoli 09030.00.00/09030.00.73/
09030.00.74/09660.00.00/09040.00.00/
09040.00.73/09040.00.74/09670.00.00.



DOTAZIONI

2 viti TCEI 5MAx10

LUNA casement bolt with offset handle

Die/cast aluminium handle and zamak case. It differs from the basic casement bolt because, apart from having only one transmission fin, it has an offset handle for ease of grip since it is to be applied on the lower strut of outward opening windows. It can be supplied RH or LH according to the window and is used with our closing

systems, art. 09030.00.00/09030.00.73/
09030.00.74/09660.00.00/09040.00.00/
09040.00.73/09040.00.74/09670.00.00.

SUPPLIED PARTS

2 TCEI 5MAx10 allen screws

art. **21800.00.82**

- 10 pezzi
- 10 units

Adattabilità ai sistemi Adaptability to the systems

> **AL JABER EXTRUSION**
CW & GS series

> **ALUPCO**
50 SG series

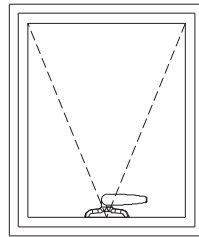
> **EMIRATES EXTRUSION**
INNOVATION series

> **SCHUCO**
CW & GS series

> **VISTAWALL**
CW & GS series

> **ESAS 700**
CW & GS series

> **REEM EMIRATES**
CW & GS series



art. **21800.00.83**

- 10 pezzi
- 10 units

Adattabilità ai sistemi Adaptability to the systems

> **AL JABER EXTRUSION**
CW & GS series

> **ALUPCO**
50 SG series

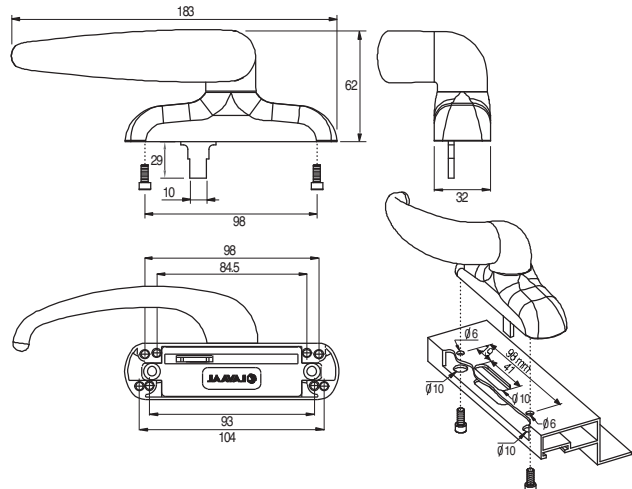
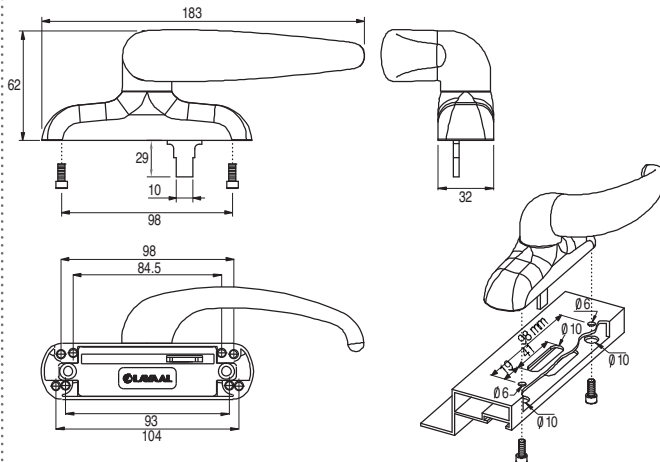
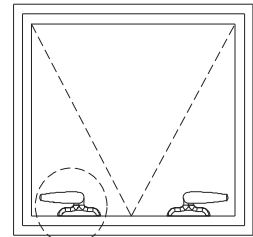
> **EMIRATES EXTRUSION**
INNOVATION series

> **SCHUCO**
CW & GS series

> **VISTAWALL**
CW & GS series

> **ESAS 700**
CW & GS series

> **REEM EMIRATES**
CW & GS series



Cremonese Luna con manico disassato

Manico in alluminio pressofuso e cassa in zama. Si differisce dalla cremonese base perchè ha il manico disassato per facilitare la presa visto che deve essere applicata sul traverso inferiore di finestre ad apertura esterna. Può essere fornita destra o sinistra in base alla finestra da realizzare e si utilizza sui nostri sistemi di chiusura articoli 20890.00.00/09030.00.00/09040.00.00.

DOTAZIONI

2 viti TCEI 5Max10



LUNA casement bolt with offset handle

Die-cast aluminium handle and zamak case. It differs from the basic casement bolt because it has an offset handle for ease of grip since it is to be applied on the lower strut of outward opening windows. It can be supplied RH or LH according to the window and is used with our closing systems art. 20890.00.00/09030.00.00/09040.00.00.

SUPPLIED PARTS

2 TCEI 5Max10 allen screws

art. **21830.00.82**

- 10 pezzi
- 10 units

Adattabilità ai sistemi Adaptability to the systems

> GULF EXTRUSION
CW & GS series

> AL JABER EXTRUSION
CW & GS series

> ALUPCO
50 SG series

> EMIRATES EXTRUSION
INNOVATION series

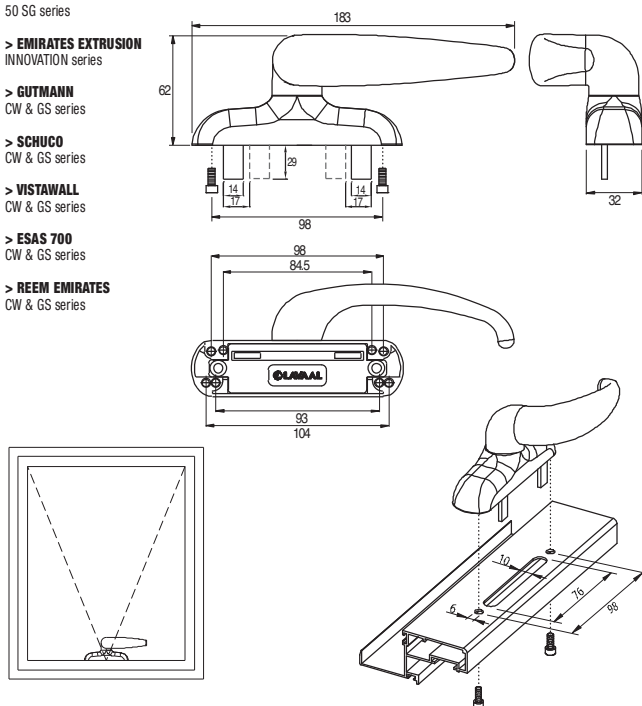
> GUTMANN
CW & GS series

> SCHUCO
CW & GS series

> VISTAWALL
CW & GS series

> ESAS 700
CW & GS series

> REEM EMIRATES
CW & GS series



art. **21830.00.83**

- 10 pezzi
- 10 units

Adattabilità ai sistemi Adaptability to the systems

> GULF EXTRUSION
CW & GS series

> AL JABER EXTRUSION
CW & GS series

> ALUPCO
50 SG series

> EMIRATES EXTRUSION
INNOVATION series

> GUTMANN
CW & GS series

> SCHUCO
CW & GS series

> VISTAWALL
CW & GS series

> ESAS 700
CW & GS series

> REEM EMIRATES
CW & GS series

