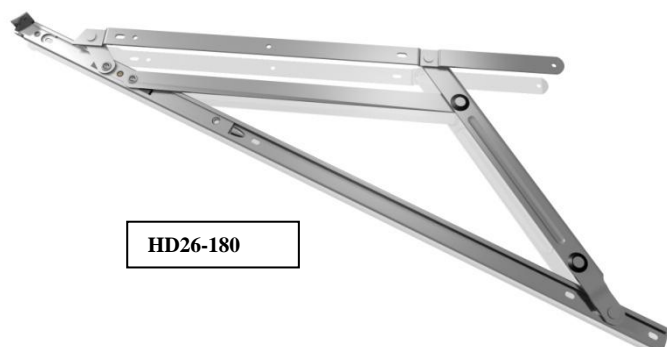


HD22SB



HD26-180

HD22SB, HD26-180 & HD28 HEAVY DUTY SELF-BALANCING STAYS FOR COMMERCIAL APPLICATIONS.

Heavy-duty self-balancing handed friction stay for enhanced performance with top hung timber, Upvc and large section aluminium.

- Carries commercial vents up to 2.5m height and 180kg in weight.
- Friction Stay Stack height 16-17mm
- Easy to fit with adjustable friction mechanism.
- Smooth and balanced operation for life – windows open and close with ease.
- Effective weather sealing and draught proofing fully concealed once fitted.
- Manufactured from high-grade Austenitic stainless steel for maximum longevity. Even in the most corrosive environments.
- Austenitic stainless steel cap for added strength.
- Self-balancing stay eliminates the need for additional support arms.
- Composite steel /plastic slider for strength, durability and smooth operation.
- The Heavy Duty range has been proven to a lifetime 50,000 cycles.
- Conforms to all leading international window performance standards in the UK (BS6375 Part 2 1987), North America (AAMA 904.1), France (NFP-20-302) and Singapore (SS 212 1998).

PRODUCT	SIZE INS	SIZE MM	WINDOW SIZE APPROX HEIGHT MM	WINDOW WEIGHT APPROX KG	STACK HEIGHT MM	OPENING ANGLE
HD22SB	22.3	567	1500	100Kg @ 20° & 80Kg @ 40°	16-17	20 & 40 DEG
HD26-180	27.1	689	2500	180KG	16-17	20 DEG
HD28	27.8	707	2200	100KG	16-17	15 DEG

IT IS THE RESPONSIBILITY OF THE WINDOW MANUFACTURER TO ENSURE THAT THE FINISHED WINDOW MEET ANY REQUIRED SAFETY AND PERFORMANCE SPECIFICATIONS