

**Product Information**

**RVM-008GM / K**

**Flow Switch RVM**



- Monitoring of small flows
- PN 300 / 350

**Characteristics**

Mechanical flow switch, for fluid media, with magnetic triggering of a reed switch. Robust construction in brass or stainless steel.

**Technical data**

<b>Switch</b>	reed switch	
<b>Nominal width</b>	DN 8	
<b>Process connection</b>	female thread G 1/4	
<b>Switching range</b>	0.04..3 l/min	for details see table "Ranges"
<b>Q<sub>max.</sub></b>	to 3.6 /min	
<b>Tolerance</b>	±10 % of full scale value	
<b>Pressure resistance</b>	brass construction	PN 300 bar
	stainless steel construction	PN 350 bar
<b>Media temperature</b>	-20..+100 °C optionally 160 °C	
<b>Ambient temperature</b>	-20..+70 °C	
<b>Media</b>	water (gas and aggressive media available on request)	
<b>Wiring</b>	normally open ( n.o.) no. 0.372	
	changeover no. 0.282	
<b>Switching voltage</b>	normally open: max. 140 V AC changeover: max. 150 V AC/DC	
<b>Switching current</b>	Max. 0,7 A	
<b>Switching capacity</b>	max. 20 VA	
<b>Protection class</b>	2 - safety insulation	
<b>Ingress protection</b>	IP 65	
<b>Electrical connection</b>	DIN 43650-C plug	
<b>Materials medium-contact</b>	<i>Brass construction:</i> CW614N nickelled, CW614N, 1.4571, hard ferrite	<i>Stainless steel construction:</i> 1.4571, hard ferrite

<b>Non-medium-contact materials</b>	switching head PBT, PA, NBR, brass nickelled, stainless steel
<b>Weight</b>	see table "Dimensions and weights"
<b>Installation location</b>	Standard: horizontal inwards flow; other installation positions are possible; the installation position affects the switching point and range.

**Ranges**

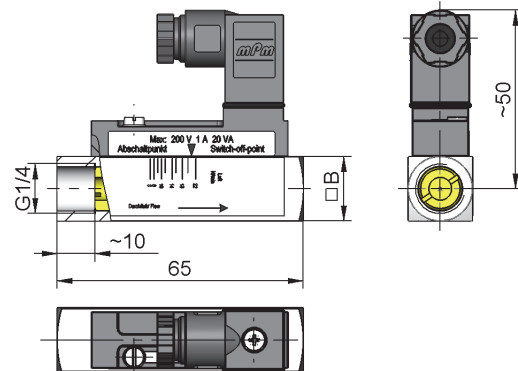
Details in the table correspond to horizontal inwards flow with decreasing flow rate.

Switching range H <sub>2</sub> O	Types	Q <sub>max.</sub> recommended
40.0 - 130.0 ml/min	RVM-008G.013	0.168 l/min
0.1 - 0.6 l/min	RVM-008G.060	0.720 l/min
0.5 - 3.0 l/min	RVM-008G.300	3.600 l/min

Special ranges are available

**Dimensions and weights**

Construction	Type	B	Weight kg
Brass	RVM-008GM...	17	0.14
Stainless steel	RVM-008GK...	18	0.15



**Product Information**

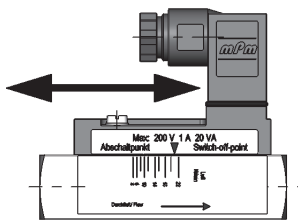
**Handling and operation**

**Note**

- Include straight calming section of 5 x DN in inlet and outlet.
- If the media are dirty, install a filter (use magnetic filter for ferritic components).
- It must be ensured that the values given for voltage, current, and power are not exceeded.
- When switch on, a load must be connected in series.
- The electrical details apply to ohmic loads. Capacitive, inductive and lamp loads must be operated using a protective circuit.

**Adjustment**

Loosen screw slightly, push the switching head into the desired position, and then retighten the screw.



**Ordering code**

RVM - 1. 008 2. G 3. 4.

<b>1. Nominal width</b>	
008	DN 8 - G 1/4
<b>2. Process connection</b>	
G	female thread
<b>3. Connection material</b>	
M	brass
K	stainless steel
<b>4. Switching range H<sub>2</sub>O for horizontal inwards flow</b>	
013	40.0 - 130.0 ml/min
060	0.1 - 0.6 l/min
300	0.5 - 3.0 l/min

**Options**

- Switching values for oil or gas
- Special values
- Switch contact as changeover

**Ordering information**

- Specify direction of flow, medium, and switching range.
- For gases, state pressure (relative or absolute), temperature and medium (e.g. air) (request switching range).