

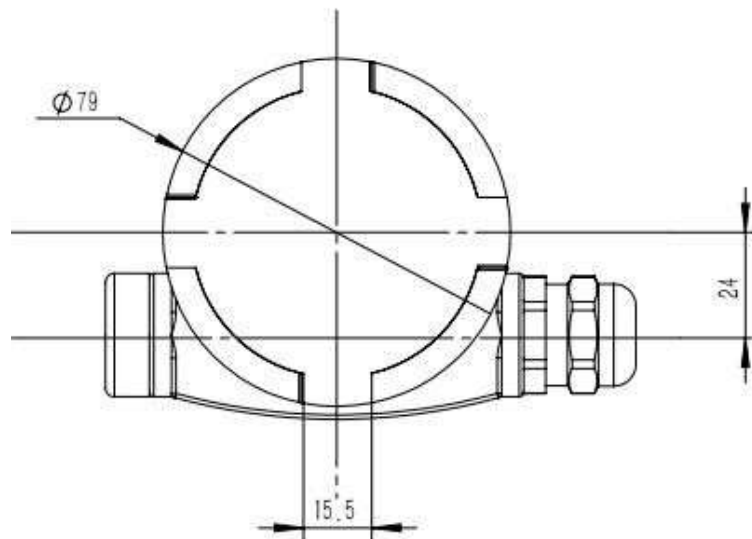
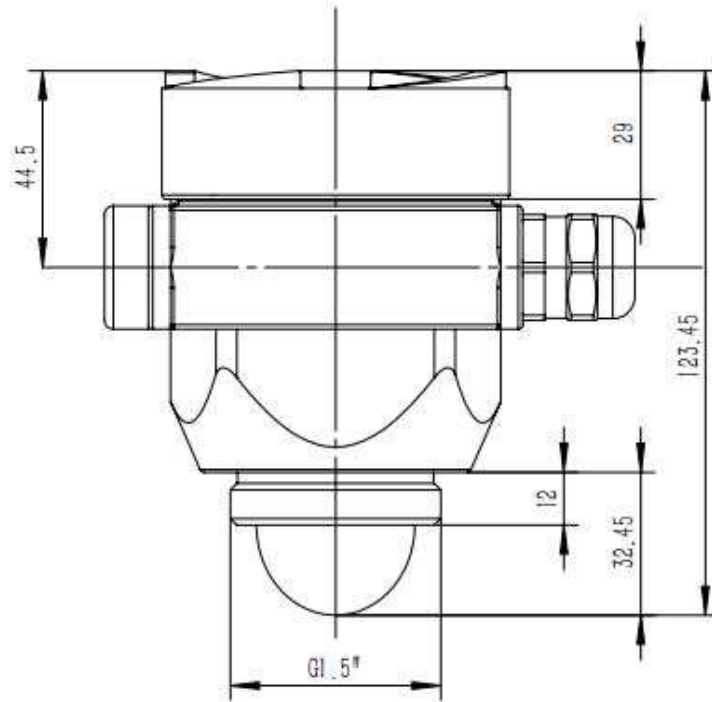
## JCSK-R800L 80GHz Radar Level Transmitter

The SK-R800L is the ideal sensor for non-contact level measurement in simple applications. It is particularly suitable for open channel application: exp water/wastewater field, rain basins, flume, dam level monitoring.

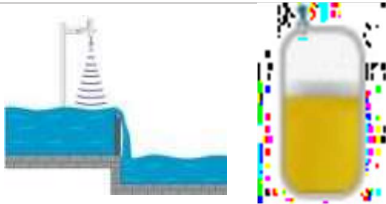
- \* High frequency 80GHz, More Focus.
- \* Accuracy:  $\pm 2$  mm(liquid)
- \* Measuring range up to 30m
- \* Small emitting angle:  $\pm 3.5^\circ$
- \* Thread connection, customized flange.
- \* With display.



Sizes:



## Specification:

<b>Model</b>	JCSK-800L
<b>Product Type</b>	FMCW Radar Level Transmitter
<b>Application</b>	 <p>* Open channel water measurement * Standard liquid measurement</p>
<b>Frequency</b>	77GHz-81GHz
<b>Measurement Range</b>	Liquid: 0.2m-30m
<b>Accuracy</b>	±2mm for liquid
<b>Beam Angle</b>	±3.5°
<b>Material</b>	PP
<b>Process Connection</b>	Thread (G1.5")and flange (customized)
<b>Process Temperature</b>	-20°C to 60°C (-20 to +140°F)
<b>Process Pressure</b>	Normal atmospheric pressure
<b>Signal output</b>	4-20mA / RS485/ Bluetooth/Hart
<b>Power</b>	Two-wire DC 24V (22V~30V)
<b>Protection</b>	IP67
<b>Size</b>	85.5mm*130mm, weight 500g

## Mobile App

### RadarmE



The image shows a hand holding a smartphone displaying the RadarmE mobile application interface. The app's home page features a blue header with a back arrow and a menu icon. Below the header, there is a table of data with the following rows:

Material level(m)	0.000
Distance(m)	0.000
Current(m/s)	0.000
Percentage(%)	00.00
Buzzing state	0
Update time	2024/12/23 15:56:45

At the bottom of the screen, there are three icons for Home, Lists, and Settings. To the left of the phone, a blue square icon with a radar symbol and the text "RadarmE" is shown, connected to the phone by a blue arrow. Below the phone, there are two black buttons: "GET IT ON Google play" and "Available on the App Store".



## JCSK-R800L Model Selection

### SK-R800L 80GHz Radar Level Transmitter (PP housing, with display)

Code	Medium Type
L	Water/liquid
Code	Measuring Range(m)
0.2~30	10, 20, 30
Code	Connection
G	G'' Thread (G1.5'')
F	Flange
Code	Temperature
N	-20-60°C
Code	Cable entry
M	M20×1.5(F)
Code	Electronics
T	Two-wire 4...20mA
M	Modbus
B	Bluetooth wireless
H	HART
<b>SK-R800</b>	<b>L 10 G N M TMBH</b>

## JAYCEE TECHNOLOGIES PVT LTD

An ISO 9000-2008 & CE Certified Co.

Address : Shed No.7, Nanekar Industries Building, Survey No. 79/2,  
Dangat Industrial Estate, Shivane, Pune - 411 023, India

Mob. : +91 9371068669 / 8554982251

Email jayceetech@gmail.com: sales@jayceetech.in