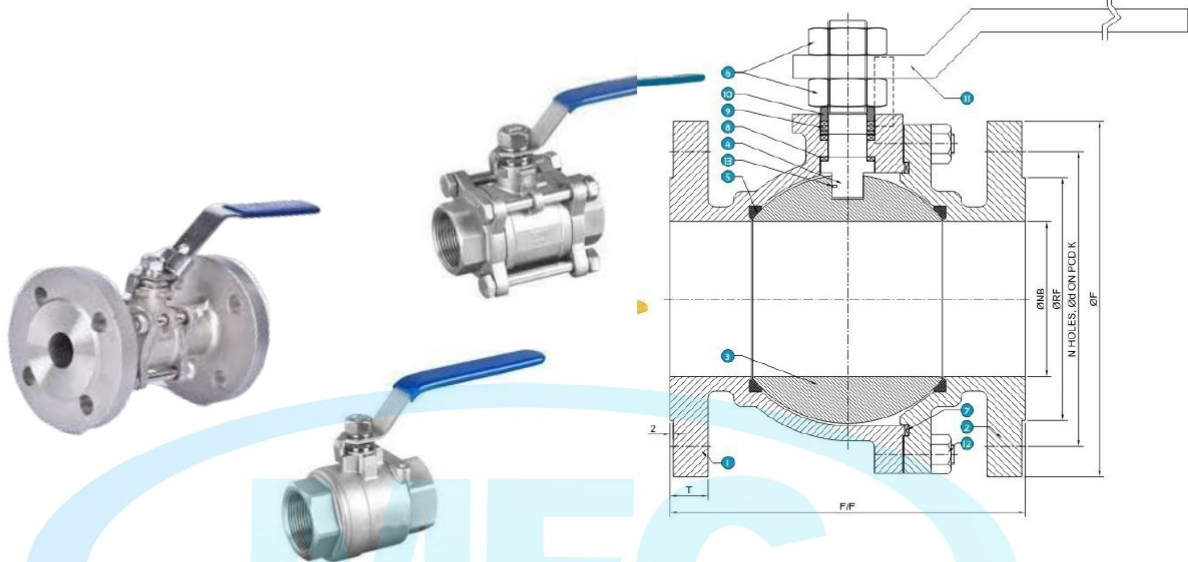




FLOATING BALL VALVE



Design Features

Design and Manufacturing :

(API 6D, ASME B 16.34, BS EN ISO 17292)

Inspection and Testing : API 598, API 6D, BSEN 12266 Part-1 & 2

MOC : Carbon Steel, Stainless Steel, Duplex & Super Duplex Stainless Steel, Inconel, CS With SS Weld Overlay Etc

Size : 1/2" to 8"

Bore : Full Bore, Reduced Bore

Pressure Rating : ASME #150 / #300

Seat : PTFE, RPTFE, Peek, Devlon & Metal Seated

End Connection : Flanged, Butt Weld, Screwed, Socket Weld, Pup End, RTJ & etc..

Stem : SS 416, SS 304, SS 316, Monel & 17-4 Ph

Leakage Class : Class V & VI

Sr. No.	Description	Material
1	Body	WCB/SS304/SS316
2	Side Piece	WCB/SS304/SS316
3	Ball	SS304/SS316
4	Stem	SS410/SS304/SS316
5	Seating	PTFE/GFT/CFT
6	Lock Nut	CS/SS
	Gland Nut	CS/SS

Sr. No.	Description	Material
7	Body Seal	PTFE/GFT/CFT
8	Stem Seal	PTFE/GFT/CFT
9	Gland Packing	PTFE/GFT/CFT
10	Gland	SS410/SS304/SS316
11	Lever	CS/SS
12	Body Stud-nut	B7/2H
13	Antistatic	SS



infomarutiflowcontrol@gmail.com



+91 9016152950