

KIOSK EC-PK-156A/EC-PK-215A

All aluminum body, stable heat dissipation, 21.5 inch.

14MM four-sided ultra-narrow frame.

Adopt 15.6 / 21.5-inch IPS screen, 1080P HD display, full viewing angle, fine and clear image.

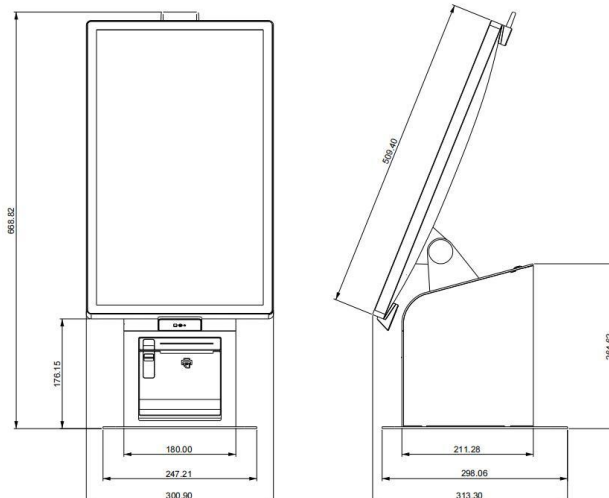
10 points capacitive screen using 2mm tempered glass, anti-scratch, anti-fingerprint.

RK3576 8 Core (Cortex A72 + Cortex A53) Android 14







EC-PK-156A / EC-PK-215A

Screen parameter	Screen size	15.6inch / 21.5inch	
	Touch	10 points G+G touch	
	Aspect ratio	16: 9	
	Resolution	1920*1080	
	Display area	476.64 × 268.11mm	
	View angle	89/89/89/89 (Typ.)(CR≥10)	
	Brightness	250cd/m ²	
	Color	16.7M , 72% NTSC	
	CPU	RK3576 (Cortex A72 + Cortex A53)	
	Core	8 Core	
Main frequency	0.8GHz		
Rui frequency	1.8GHz		
Ram	4GB		
SSD	64GB		
I/O ports	1*DC, 1*USB, 1* RJ45; 1*DB9; 1*RJ12		
Network	LAN10M/100M /1000M self-adaption (optional 2.4&5G WIFI / BT5.4)		
OS	Android 14		
Speaker	Build-in speaker 4Ω 3W		
Printer	Printing method: line thermal, resolution: 203 dpi,8 dots/mm Print speed: 260mm/s (Max) Paper roll: 80mm, diameter 83mm(Max), effective printing width: 72mm Paper processing: Automatic paper cutting, support full cut, half cut Character size: GBK 24×24, text number: ASC II 9×17,12×24		
Scanner	2D: QR Code、Micro QR、Data Matrix、PDF417、Micro PDF417、Aztec、Maxicode、Hanxin Code、Dotcode、Composite 1D: Code128、EAN-13、EAN-8、UPC-E、UPC-A、ISBN、ISSN、Code11、Interleaved 2 of 5、Code39、Code93、Code32、Codabar、Matrix 2 of 5、Industrial 25、IATA25、MSI Plessey、GS1 DataBar、Plessey、Febraban、Composite		
Input voltage	AC100-240V, 50-60Hz		
Power	60W		
Dimension	300mm x 313mm x 669mm		
Material	All metal with white color painting.		
Packing method	Wall mounted, Standing stand, Table stand.		
Net weight	Net weight: about 11.4KGS Gross weight: about 13.1KGS		
Packing size	380mm x 393mm x 750mm (±5mm)		
Packing material	Gravity carton		
Operation Environment	Working temperature -0℃ - 45℃	Operation humidity20% - 80%	
Storage Environment	Storage temperature -10℃ - 60℃	Storage humidity20% - 80%	



Expandable module

<p>CAMERA</p> 	<p>Monocular camera: Pixels: 200W, Maximum resolution: 1920*1080, Maximum frame rate: 30fps, Output image formats : MJPG/YUV/</p> <p>Binocular camera: RGB Pixels: 200W, IR Pixels: 200W, Maximum resolution: 1920*1080, Output image formats: MJPEG/YUV/</p>
<p>Status light</p> 	<p>Fang Pai RGB three-color light, LOGO can be customized</p>
<p>AI loss prevention camera</p> 	<p>Pixel: 200W, maximum resolution: 1920*1080, maximum frame rate: 30fps, Output image format: MJPG/YUV/</p>
<p>NFC+MSR+Fingerprint</p> 	<p>NFC: Supported protocol: ISO14443 TYPEA Supported card type: can read the MIFARE 1 card in accordance with the ISO14443TYPEA standard Operating frequency :13.56MHz</p> <p>Fingerprint: Sensor type: semiconductor capacitor, acquisition method: press type, image resolution: 508dpi, comparison method: 1:1/1 :N, comparison time: <0.1 seconds (1:1), <0.5 seconds (1:50)</p> <p>MSR: Standard :Support ISO7812,IBM,AAMVA,JIS-2 and other standards, Manual swipe card, Swipping Speed:10~100cm/sec, Magnetic head life: >500,000times. Record density: Track 1--210BPI with max 76 characters, Track 2--210BPI with max 107 characters or 75BPI with 37 characters Track 3--210BPI with max 107 characters</p>