

## POSITIVE DISPLACEMENT (OVAL GEAR) FLOW METER:



Positive Displacement Oval Gear Sensor contains a pair of oval gear rotors. Positive Displacement Oval Gear sensors where the liquid passage causes two oval gear rotors to rotate within a precious measuring chamber and with each of rotation a fixed volume of liquid is displaced passing through the sensor. Magnets which are inserted in the rotors transfer pulse train output.

The pulse output is then interfaced to above monitoring/process control instrument.

### TECHNICAL DETAILS:

ENCLOSURE	ALUMINIUM ANODISED/ SS316 (Optional)
ROTOR (GEARS)	ALUMINIUM ANODISED/ SS316 (Optional)
O-ring	NBR/VITON/SILICON
SHAFT	Hard STAINLESS STEEL
Accuracy (standard installation position)	<b>±1% RS</b>
Maximum working pressure	10MPa (35~85%RH)
Fluid working temperature	-40 to 80°C
Power Supply Voltage	3 - 24 VDC (generally given through our controller)
Output Signal	NPN Open Collector
Major Fluid	kerosene, Gasoline, Diesel, light oil, heavy oil etc

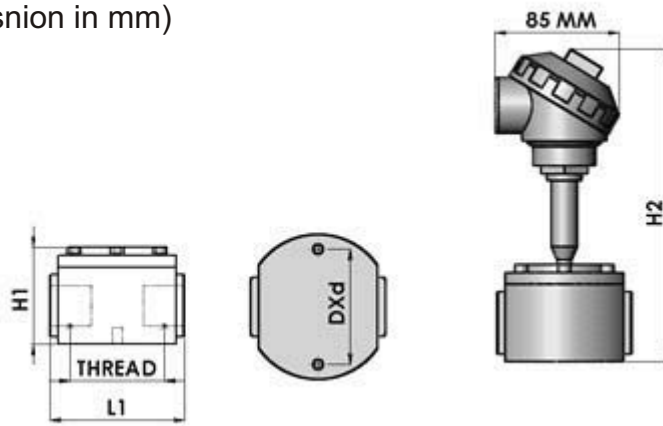
### FLOW RANGE:

Pipe Size	Model No	Flow Rate (Min-Max)	Approx. Litter/pulse
1/4"	CI-004-A-A-S	0.7 ~60L/H	0.416 ml/p
1/4"	CI-006-A-A-S	5~150 L/H	0.661 ml/p
3/8"	CI-008-A-A-S	20~300L/H	2.5 ml/p
1/2"	CI-012-A-A-S	50~1200L/H	2.5 ml/p
1/2"	CI-015-A-A-S	50~1800L/H	2.5 ml/p
3/4"	CI-020-A-A-S	150~2000L/H	15.4 ml/p
1"	CI-025-A-A-S	200~4,000L/H	25.6 ml/p
1.5"	CI-040-A-A-S	500~10,000L/H	86ml/p
2"	CI-050-A-A-S	600~20,000L/H	190ml/p
3"	CI-080-A-A-S	1000~50,000L/H	540ml/p

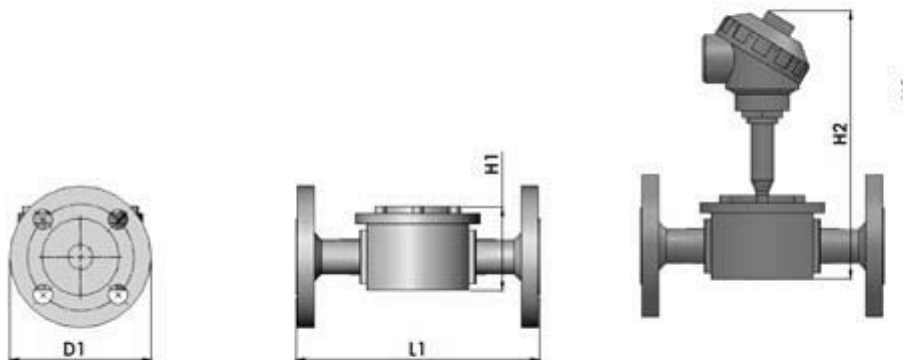
**Process Connection: Upto 1.5" bspf Threaded End & 2" Onwards Flanged End**

## Dimension drawing:

( all dimesnion in mm)



	L 1	H 1	D X d	T H R E A D	H 2
4	60	45	50 X M 5	1 / 4 " B S P	210
6	60	45	50 X M 5	1 / 4 " B S P	210
8	68	50	60 X M 5	3 / 8 " B S P	215
12	78	50	60 X M 5	1 / 2 " B S P	215
20	82	59	75 X M 5	3 / 4 " B S P	224
25	94	68	90 X M 5	1 " B S P	233
40	198	98	180 X M 8	1 . 2 5 " B S P	263
50	198	130	180 X M 8	2 " B S P	295
80	210	140	200 X M 8	3 " B S P	305



P A R T	L 1	H 1	D 1	H 2
4 M M	150	45	1 / 2 " 1 5 0 C L A S S	210
6	150	45	1 / 2 " 1 5 0 C L A S S	210
8	170	50	1 / 2 " 1 5 0 C L A S S	215
12	175	50	1 / 2 " 1 5 0 C L A S S	215
20	180	59	1 / 2 " 1 5 0 C L A S S	224
25	200	68	1 " 1 5 0 C L A S S	233
40	291	98	1 1 / 2 " 1 5 0 C L A S S	263
50	420	130	2 " 1 5 0 C L A S S	295
80	425	140	3 " 1 5 0 C L A S S	305

## FLOW DISPLAY UNIT

Field Mount



Panel Mount



We have a wide range of Field/Panel mounted type of meters, in which calibration factor is programmable. There are various unit selections available as Flow Rate Indicator, Totaliser, Batchers, Flow Rate Switch, Flow Transmitters with 4-20mA output/RS485 output/RS232 output & with Printing Facility etc

These meters are highly accurate, having optimized structure, highly reliable, more competitive than the similar type flow meter. We think, these flow meters are an ideal flow meter used in all kinds of most popularity measuring system. Our R&D department is continuously working to make these meters user friendly.

	Flow Rate Indicator	Flow Rate Indicator cum Totaliser	Flow transmitter
Make	Brio Instruments	Brio Instruments	Brio Instruments
Model	CI 100	CI 200	CI 300
Orientation	Field /Panel Mount Type	Field /Panel Mount Type	Field /Panel Mount Type
Function	Flow Rate Indication	Flow Rate + Totalised Flow	Flow Rate + Totalised Flow
Display	16 X 1 Lcd display with Backlit	16 X 2 Lcd display with Backlit	16 X 2 Lcd display with Backlit
Power Supply	230 VAC , +/- 10% (12VC or 24 VDC optional)	230 VAC , +/-10% (12VC or 24 VDC optional)	230 VAC , +/- 10% (12VC or 24 VDC optional)
Linearity	±1% of full range	±1% of full range	±1% of full range
Repeatability	±0.5% of full range	±0.5% of full range	±0.5% of full range
Configuration	Password Protected	Password Protected	Password Protected
Calibration	Using Front Panel Keys	Using Front Panel Keys	Using Front Panel Keys
Input	5-24 VDC pulse input	5-24 VDC pulse input	5-24 VDC pulse input
Output	N.A.	Potential Free Relay (1 or 2) Against Flow Rate or Total)	Potential Free Relay (1 or 2) Against Flow Rate or Total)
Retransmission output	N.A.	N.A.	4-20mA Or 0-10 VDC Or RS 485 / RS 232/ Printer Port
Meter Size	96x96x100 mm	96x96x100 mm	96x96x100 mm
Cutout Size	90x90 mm	90x90 mm	90x90 mm

CI200B – Flow Batchers, which have 1 relay output against Total  
 CI200R – Flow Rate Indicator Cum Flow Switch, which have 1 relay output against Flow Rate  
 For Field Instruments Size 100X100X80 mm

We configure the Display Units As per Customer Requirements