

# DHUV

## GLOBAL INDUSTRIES



+91 9899 838104  
+91 7988 535202



[dhuvglobalindia@gmail.com](mailto:dhuvglobalindia@gmail.com)

BRIGHT IDEAS. BRILLIANTLY EXECUTED

# NAME PLATES

**Aluminum Anodising:** is a process for producing decorative and protective films on articles made of aluminum and its alloys. The article is made the anode of an electrolytic cell with aqueous sulfuric acid as electrolyte. A dense even layer of oxide about 0.08 μm thick is formed rapidly, followed much more slowly with a more porous layer up to 25μm thick.

**Aluminum/SS/Brass Name plates:** They can withstand extremes in temperature, salt-spray, continuous outdoor exposure, and will continue to look great years after they are first produced. Information is sealed into the aluminum so it will always be easy to read.

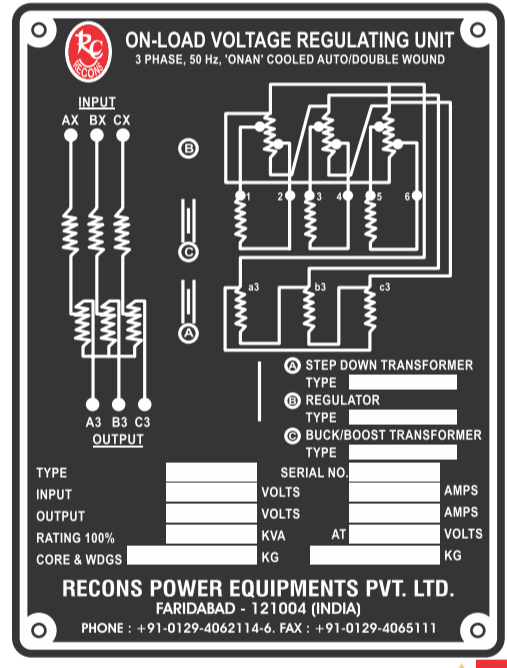
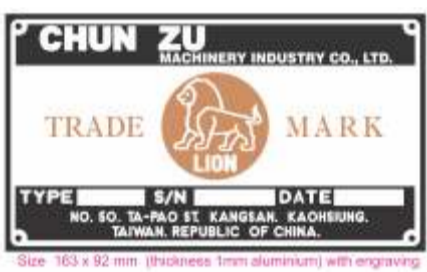
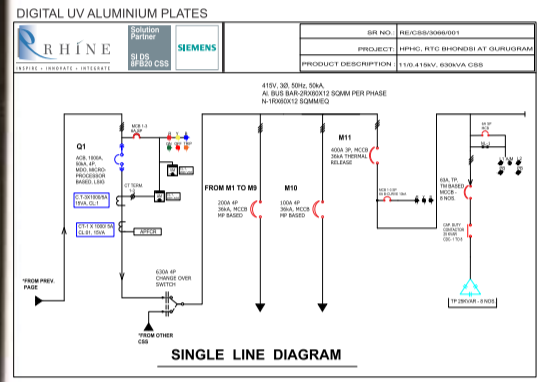
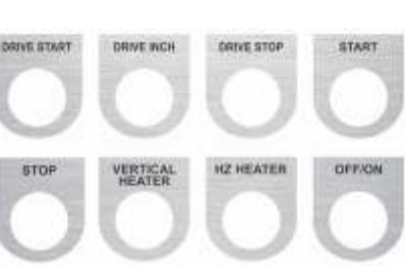


ABB		
Type TNOSCT-100/11PNS UNI		
No.	1LPL525913	Year of manufacture 2014
Rated power	100 kV-A	No. of phases 3
TRANSFORMER to specification IEC 60076-1		
Rated voltage [V]	Current [A]	Insulation level
HV 11000 ± 2x2.5%	5.25	L175 AC28
LV 415	139.10	ACS
Tap no. [HV voltage [V]	Connection symbol	Dyn11
1 11550	Cooling	ONAN
2 11275	Rated frequency	50 Hz
3 11000	Short-circuit imp.	3.88 %
4 10725	Load losses	1750 W
5 10450	no-load losses	145 W
Ambient temp. 40°C	Total mass	463 kg
Windings 60K	Mass of active part	279 kg
Oil 55K	Mass of oil	100 kg
Windings material: H.V. LV: Al	Core material: grain-oriented electrical steel	Type of oil: Mineral Nynco Taurus
Mass of windings: 51kg	Mass of core: 163kg	Oil to: IEC 60296



ASHOK LEYLAND	
Vendor code	1201188
Serial number	1800, 2820, 2820, 3528, 2523, 4220
Vehicle model	Front End / Under body / PH / W/PRO
Tracing system	Box / Rack / SCOW
Load Body	Box / Rack / SCOW
Load Body capacity	8.0 / 16.5 / 21 / 24 / 18 / 19 / 28 / 22 / 24 / 28
Max. dimensions & allow	19388 / 28028 / 35028 / 42000
Maximum allowable GVW in kg	19388 / 28028 / 35028 / 42000
Applications	Steel / Gravel / Coal / OBD / Small Rocks
Type of Loading	Shovel / Machine

