



ATCAB®

Cable Lugs



Atlas Metal Industries Pvt. Ltd.

Registered Office: G3, Avsar Building, 77/81, Kazi Syed Street,
Masjid Bunder (W), Mumbai - 400 003, Maharashtra

Factory: Survey No. 472, Jamnagar - Lalpur Highway,
Village: Changa, Tal & Dist: Jamnagar - 361 012, Gujarat

+91 288 2730 944

atlasmetalind.com

sales@atlasmetalind.com



TrizoneIndia





Introduction

We at Atlas Metal are an establishment with 25 years of excellence and commitment in the Indian Metal products market with a stronghold in the national and international market. With the most modern and latest manufacturing technology machinery unit at Jamnagar, Gujarat, our diligent team is well-equipped to meet, as well as exceed our customers' expectations.

Incepted in 1996, we at Atlas Metal Industries began our journey, by manufacturing brass electrical wiring and earthing accessories with the brand name 'ATCAB'. What began as a humble company operating in a mere 1000 Sq. Ft. area with just 7 employees, has now become a formidable force with over 180 skilled personnel working at a sprawling area of over 50,000 Sq. Ft. At Atlas, we have earned the reputation of being one of the leading manufacturing and exporting companies in our domain industry with an annual capacity of 500 metric tons, of which 95% is export.

Key Segments:

1) Cable Gland and Accessories

2) Earthing Accessories

3) Cable Lugs

4) Conduit Fitting

Taking the mantle of excellence further, we at Atlas Group launched our brand 'ATFIT' derived from Fittings - of Brass Precision Turned Components. We offer products in a variety of metals like Brass, Zinc, Stainless Steel etc. and also we make customised products in sync with our customers' meticulous requirements, apart from offering quality that is at par with international benchmarks, yet at competitive price.

An ISO:9001 certified company, we at Atlas manufacture high precision products, by using CNC machines. We have product certification of CE, EX, ROHS, IP68 and CMRI, which makes us one of the most reliable names across the industry.



Vision

To become a futuristic and complete solution provider in the cable glands and accessories industry and provide customised solutions through Atlas **EDGE**.

Enhancing quality, capacity and innovation each day

Developing unwavering international bonds

Gearing towards a sustainable future

Empowering all associated stakeholders



Mission

Produce world-class products with a customer-centric approach with a commitment to creating a better world for all people and nations.

Being rooted in values to render the best quality at the best possible prices and evolve dynamically with technology to be at par with what the world needs.



Values

Honesty, Integrity and Humility are the core values of Atlas Metal.

Delivering the best quality products with competitive prices in honesty, along with commitment, safety and seamless customisation.

We respect everyone equally – right from the bottom to top-level management, stakeholders and customers alike.

We believe strongly in growing as a team.



Policies

Environmental Policy

Atlas Metal is an environment-focused company that holds a policy that does not harm the environment locally, nationally or globally.

We will continuously measure the impact on the environment and strive for continuous improvement.

Atlas Metal will comply with all relevant environmental legislation and mandatory requirements and shall continuously raise awareness among our staff regarding environmental issues and enlist their support in improving the company's performance.



Health and Safety Policy

Atlas Metal strives to create a safe and healthy working environment since employee welfare is our priority.

All activities that would endanger the health and safety of our employees will always be monitored. Regular health surveillance will be made as per necessity.

Atlas Metal takes care of the employees as they are all an integral part of the Atlas family.



Customer Service

Atlas Metal is committed to going beyond customer satisfaction. Along with high-quality products, Atlas ensures effective and personal pre- and post-association with the client. Atlas Metal provides specialised training to technicians to provide better service to customers like:

- 1) Installations and personnel for assistance to clients.
- 2) Analyse faults to rectify them as soon as possible.
- 3) Rectify the issues by out minor repairs at the site etc.

Certifications & Memberships



Global Approvals



- ISO 9001-2008 - Certification by UL (Underwriters Laboratories Inc.)
- CMRI approval on Double Compression Cable Gland for use in Flammable Gas/Vapour area
- CE approval on IP68 Cable Gland for use high degree of protection
- IP68 CABLE GLAND tested for protection against Ingress of Dust & Continuous Immersion
- ROHS Compliance Product Range
- Member of the Engineering Export Promotion Council (EEPC)
- Member of the Federation of Indian Export Organisations (FIEO)
- Member of the Indian Electrical and Electronics Manufacturers Association (IEEMA)
- Register with Dun & Bradstreet (D&B)

Working Area



INDUCTION FOUNDRY



PERFORMANCE TESTING



MANUFACTURING PROCESS



CNC PROCESS



QUALITY INSPECTION



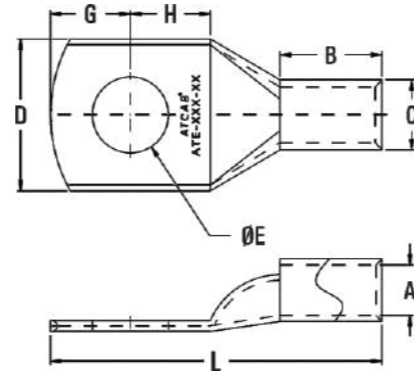
ASSEMBLY & PACKING

Index

01	LIGHT DUTY CABLE LUGS - ECONOMY SERIES - ATE	9
02	ECONOMY SERIES 4 HOLE CABLE LUGS - ATE-4E	10
03	LONG BARREL CABLE LUGS - ATL	11
04	LONG BARREL TWO HOLE CABLE LUGS - ATL-2E	12
05	BIMETALLIC LUGS - ATB	13
06	ALUMINIUM CABLE LUGS - ATA	13



LIGHT DUTY CABLE LUGS - ECONOMY SERIES



ATE

FEATURES:

- Durable Lugs For Light Duty Application
- With Inspection Hole To Ensure Full Cable Insertion
- Tin Plated Copper Lugs To Improve Electrical Conductivity And Avoid Oxidation Of Copper
- Annealed Material Optimizes Material And Crimping Properties
- Flat Contact Surface And Precise Stud Holes As Per The Metric Standard
- Chamfered Mouth For East Cable Insertion
- Can Be Available With / Without Inspection Window

MATERIAL:

High Conductivity ETP - Copper

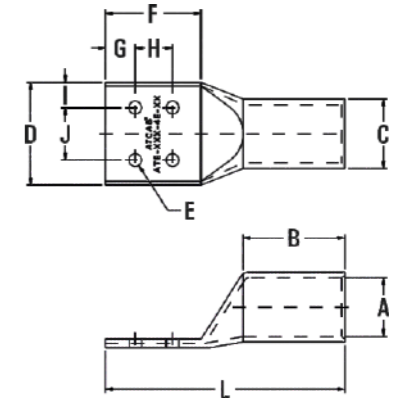
FINISH:

Electro Tin Plated

Product Code	Cable mm ²	Stud Size	Stud Hole Size		Barrel OD	Palm Width	Stud Center Distance		Barrel Length	Total Length
			E	A			G	H		
ATE-1.5-4	1.5	M4	4.2	1.8	3.7	8	4	5	6	17
ATE-1.5-5	1.5	M5	5.2	1.8	3.7	8	4	5	6	17
ATE-1.5-6	1.5	M6	6.5	1.8	3.7	10	4	6	6	18
ATE-2.5-4	2.5	M4	4.2	2.4	4	8	4	5	8	19
ATE-2.5-5	2.5	M5	5.2	2.4	4	8	4	5	8	19
ATE-2.5-6	2.5	M6	6.5	2.4	4	10	5	6	8	21
ATE-2.5-8	2.5	M8	8.4	2.4	4	12	6	9	8	26
ATE-4-4	4	M4	4.2	3.1	4.8	10	5	6	8	21
ATE-4-5	4	M5	5.2	3.1	4.8	10	5	6	8	21
ATE-4-6	4	M6	6.5	3.1	4.8	10	5	6	8	21
ATE-4-8	4	M8	8.4	3.1	4.8	12	6	9	8	24
ATE-4-10	4	M10	10.5	3.1	4.8	12	6	9	8	24
ATE-6-5	6	M5	5.2	3.8	5.5	10	5	6	10	23
ATE-6-6	6	M6	6.5	3.8	5.5	10	5	6	10	24
ATE-6-8	6	M8	8.4	3.8	5.5	12	6	9	10	27
ATE-6-10	6	M10	10.5	3.8	5.5	15	8	11	10	32
ATE-10-6	10	M6	6.5	4.5	6.2	11	6	7	10	26.5
ATE-10-8	10	M8	8.4	4.5	6.2	12	6	9	10	27.5
ATE-10-10	10	M10	10.5	4.5	6.2	15	8	11	11	32
ATE-16-5	16	M5	5.2	5.4	7.1	12	7	7	12	30
ATE-16-6	16	M6	6.5	5.4	7.1	12	7	7	12	30
ATE-16-8	16	M8	8.4	5.4	7.1	12	7	7	12	30
ATE-16-10	16	M10	10.5	5.4	7.6	15	8	12	12	36
ATE-16-12	16	M12	13	5.4	7.6	17	11	13	12	39
ATE-25-6	25	M6	6.5	6.8	8.8	13	7	7	12	30
ATE-25-8	25	M8	8.4	6.8	8.8	13	7	7	12	30
ATE-25-10	25	M10	10.5	6.8	8.8	15	10	11	13	36.5
ATE-25-12	25	M12	13	6.8	8.8	17	10	12	15	40
ATE-35-6	35	M6	6.5	8	10	15	9	9	13.5	37
ATE-35-8	35	M8	8.4	8	10	15	9	9	13.5	37
ATE-35-10	35	M10	10.5	8	10	15	9	9	13.5	37
ATE-35-12	35	M12	13	8	10	18	10	12	13.5	41
ATE-50-6	50	M6	6.5	9.2	11.2	16	9	10	17	42
ATE-50-8	50	M8	8.4	9.2	11.2	16	9	10	17	42
ATE-50-10	50	M10	10.5	9.2	11.2	16	9	15	17	42
ATE-50-12	50	M12	13	9.2	11.2	20	10	12	17	45
ATE-50-14	50	M14	14.5	9.2	11.2	22	15	15	18	54
ATE-50-16	50	M16	17	9.2	11.2	22	15	15	18	54
ATE-70-8	70	M8	8.4	11.5	13.8	20	11	11	18.5	47
ATE-70-10	70	M10	10.5	11.5	13.8	20	11	11	18.5	47
ATE-70-12	70	M12	13	11.5	13.8	20	11	11	18.5	47
ATE-70-14	70	M14	14.5	11.5	13.8	20	14	15	18.5	55
ATE-70-16	70	M16	17	11.5	13.8	20	14	16	18.5	56
ATE-95-8	95	M8	8.4	12.8	15.6	23	12	13	21	53
ATE-95-10	95	M10	10.5	12.8	15.6	23	12	13	21	53
ATE-95-12	95	M12	13	12.8	15.6	23	12	13	21	53

Product Code	Cable mm ²	Stud Size	Stud Hole Size		Barrel OD	Palm Width	Stud Center Distance		Barrel Length	Total Length
			E	A			G	H		
ATE-95-14	95	M14	14.5	12.8	15.6	23	14	15	22	55
ATE-95-16	95	M16	17	12.8	15.6	23	14	16	22	56
ATE-120-8	120	M8	8.4	14.8	17.8	26	13	14	23	60
ATE-120-10	120	M10	10.5	14.8	17.8	26	13	14	23	60
ATE-120-12	120	M12	13	14.8	17.8	26	13	14	23	60
ATE-120-14	120	M14	14.5	14.8	17.8	26	13	14	23	60
ATE-120-16	120	M16	17	14.8	17.8	26	16	16	23	64
ATE-150-8	150	M8	8.4	16	19.6	28	16	16	27	70
ATE-150-10	150	M10	10.5	16	19.6	28	16	16	27	70
ATE-150-12	150	M12	13	16	19.6	28	16	16	27	70
ATE-150-14	150	M14	14.5	16	19.6	28	16	16	27	70
ATE-150-16	150	M16	17	16	19.6	28	16	16	27	70
ATE-150-20	150	M20	21	16	19.6	28	16	16	27	73
ATE-185-10	185	M10	10.5	18	22	32	17	19	32	80
ATE-185-12	185	M12	13	18	22	32	17	19	32	80
ATE-185-14	185	M14	14.5	18	22	32	17	19	32	80
ATE-185-16	185	M16	17	18	22	32	17	19	32	80
ATE-185-20	185	M20	21	18	22	32	17	19	32	80
ATE-240-10	240	M10	10.5	22	26	38	20	21	39	94
ATE-240-12	240	M12	13	22	26	38	20	21	39	94
ATE-240-14	240	M14	14.5	22	26	38	20	21	39	94
ATE-240-16	240	M16	17	22	26	38	20	21	39	94
ATE-240-20	240	M20	21	22	26	38	20	21	39	94
ATE-300-10	300	M10	10.5	24	28.7	42	22	23	42	102
ATE-300-12	300	M12	13	24	28.7	42	22	23	42	102
ATE-300-14	300	M14	14.5	24	28.7	42	22	23	42	102
ATE-300-16	300	M16	17	24	28.7	42	22	23	42	102
ATE-300-20	300	M20	21	24	28.7	42	22	23	42	102
ATE-300 BL	300	NON	NON	24	28.7	42	22	23	42	102
ATE-400-12	400	M12	13	28	33.2	49	25	25	45	112
ATE-400-14	400	M14	14.5	28	33.2	49	25	25	45	112
ATE-400-16	400	M16	17	28	33.2	49	25	25	45	112
ATE-400-18	400	M18	21	28	33.2	49	25	25	45	112
ATE-400 BL	400	NON	NON	28	33.2	49	25	25	45	112
ATE-500-14	500	M14	14.5	30	36	53	27	27	50	121
ATE-500-16	500	M16	17	30	36	53	27	27	50	121
ATE-500-20	500	M20	21	30	36	53	27	27	50	121
ATE-500 BL	500	NON	NON	30	36	53	27	27	50	121
ATE-630-12	630	M12	13	35	41.5	61	25	25	70	144
ATE-630-14	630	M14	14.5	35	41.5	61	25	25	70	144
ATE-630-16	630	M16	17	35	41.5	61	25	25	70	144
ATE-630-20	630	M20	21	35	41.5	61	25	25	70	144
ATE-630 BL	630	NON	NON	35	41.5	61	25	25	70	144
ATE-800-16	800	M16	17	39	45.3	68.5	32	32	68	160
ATE-800-20	800	M20	21	39	45.3	68.5	32	32	68	160
ATE-800 BL	800	NON	NON	39	45.3	68.5	32	32	68	160

ECONOMY SERIES 4 HOLE CABLE LUGS



ATE-4E

FEATURES:

- Heavy Duty Lugs For Transformer Application
- Facilitates Good Heat Dissipational
- With Inspection Hole To Ensure Full Cable Insertion
- Tin Plated Copper Lugs To Improve Electrical Conductivity And Avoid Oxidation Of Copper
- Annealed Material Optimizes Material And Crimping Properties
- Chamfered Mouth For Easy Cable Insertion
- Can Be Available With / Without Inspection Window

MATERIAL:

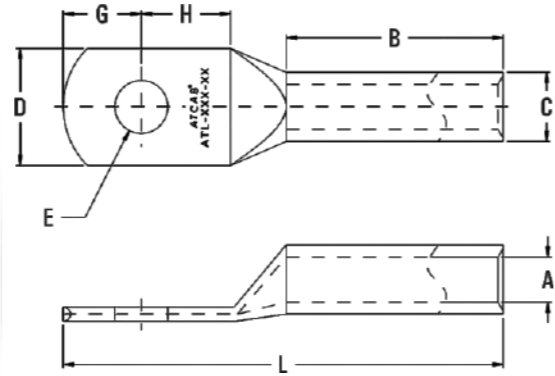
High Conductivity ETP - Copper

FINISH:

Electro Tin Plated

Product Code	Cable mm ²	Stud Size	Stud Hole Size	Barrel ID	Barrel OD	Palm Width	Palm Length	Stud Center Distance				Barrel Length	Total Length
								E	A	C	D		
ATE-630-4E-8	630	M8	8.4	35	41.5	61	50	12.5	25	13	35	70	144
ATE-630-4E-10	630	M10	10.5	35	41.5	61	50	12.5	25	13	35	70	144
ATE-630-4E BL	630	NON	NON	35	41.5	61	50	NON	NON	NON	NON	70	144
ATE-800-4E-8	800	M8	8.4	39	46.3	68.5	64	20	25	16.8	35	68	160
ATE-800-4E-10	800	M10	10.5	39	46.3	68.5	64	20	25	16.8	35	68	160
ATE-800-4E BL	800	NON	NON	39	46.3	68.5	64	NON	NON	NON	NON	68	160

LONG BARREL CABLE LUGS



ATL

FEATURES:

- Longer Length Barrel Permits Extra Crimps For Additional Assurance On Heavy Duty Loads
- Generous Entrance Chamfer Provided Easy Cable Insertion
- Seamless, One Piece, Copper Construction With Tin Plating Assured Maximum Conductivity
- Can Be Available With / Without Inspection Window

MATERIAL:
High Conductivity ETP - Copper

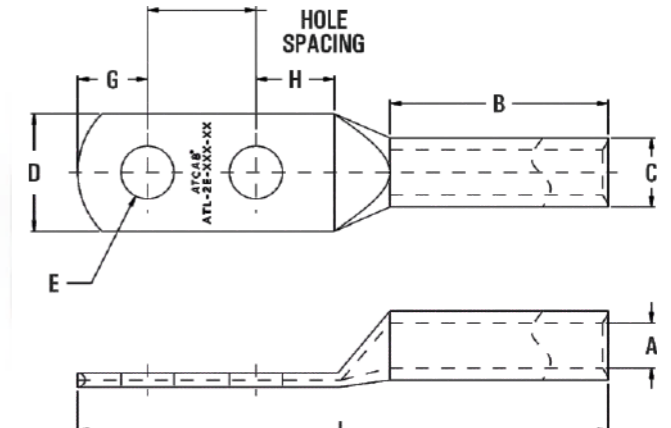
FINISH:
Electro Tin Plated

Product Code	Cable mm ²	Stud Size	Stud Hole Size E	Barrel ID A	Barrel OD C	Palm Width D	Stud Center Distance G	H	Barrel Length B	Total Length L
ATL-16-8	16	M8	8.4	5.4	7.6	12	7	7	15	35
ATL-16-10	16	M10	10.5	5.4	7.6	12	7	7	15	35
ATL-25-8	25	M8	8.4	6.8	8.8	17	8	12	16	41
ATL-25-10	25	M10	10.5	6.8	8.8	17	8	12	16	41
ATL-25-12	25	M12	13	6.8	8.8	17	8	12	16	41
ATL-35-8	35	M8	8.4	8.2	10.6	18	9	14	20	48
ATL-35-10	35	M10	10.5	8.2	10.6	18	9	14	20	48
ATL-35-12	35	M12	13	8.2	10.6	18	9	14	20	48
ATL-50-8	50	M8	8.4	9.5	12.4	17	10	16	26	59
ATL-50-10	50	M10	10.5	9.5	12.4	17	10	16	26	59
ATL-50-12	50	M12	13	9.5	12.4	17	10	16	26	59
ATL-50-14	50	M14	14.5	9.5	12.4	17	10	16	26	59
ATL-70-8	70	M8	8.4	11.3	14.6	20	12	19	28	66
ATL-70-10	70	M10	10.5	11.3	14.6	20	12	19	28	66
ATL-70-12	70	M12	13	11.3	14.6	20	12	19	28	66
ATL-70-14	70	M14	14.5	11.3	14.6	20	12	19	28	66
ATL-95-8	95	M8	8.4	13.5	17.4	24	12	20	32	74
ATL-95-10	95	M10	10.5	13.5	17.4	24	12	20	32	74
ATL-95-12	95	M12	13	13.5	17.4	24	12	20	32	74
ATL-95-14	95	M14	14.5	13.5	17.4	24	12	20	32	74
ATL-120-8	120	M8	8.4	15	19.4	28	14	23	35	82
ATL-120-10	120	M10	10.5	15	19.4	28	14	23	35	82
ATL-120-12	120	M12	13	15	19.4	28	14	23	35	82
ATL-120-14	120	M14	14.5	15	19.4	28	14	23	35	82
ATL-120-16	120	M16	17	15	19.4	28	14	23	35	82
ATL-120-20	120	M20	21	15	19.4	28	14	23	35	82
ATL-150-10	150	M10	10.5	16.5	21.2	30	14	24	38	86
ATL-150-12	150	M12	13	16.5	21.2	30	14	24	38	86
ATL-150-14	150	M14	14.5	16.5	21.2	30	14	24	38	86
ATL-150-16	150	M16	17	16.5	21.2	30	14	24	38	86
ATL-150-20	150	M20	21	16.5	21.2	30	14	24	38	86

Product Code	Cable mm ²	Stud Size	Stud Hole Size E	Barrel ID A	Barrel OD C	Palm Width D	Stud Center Distance G	H	Barrel Length B	Total Length L
ATL-185-10	185	M10	10.5	18.5	23.5	34	17	23	43	95
ATL-185-12	185	M12	13	18.5	23.5	34	17	23	43	95
ATL-185-14	185	M14	14.5	18.5	23.5	34	17	23	43	95
ATL-185-16	185	M16	17	18.5	23.5	34	17	23	43	95
ATL-185-20	185	M20	21	18.5	23.5	34	17	23	43	95
ATL-240-10	240	M10	10.5	21	26.5	40	20	30	50	112
ATL-240-12	240	M12	13	21	26.5	40	20	30	50	112
ATL-240-14	240	M14	14.5	21	26.5	40	20	30	50	112
ATL-240-16	240	M16	17	21	26.5	40	20	30	50	112
ATL-240-20	240	M20	21	21	26.5	40	20	30	50	112
ATL-300-10	300	M10	10.5	23.5	30	43	20	32	54	120
ATL-300-12	300	M12	13	23.5	30	43	20	32	54	120
ATL-300-14	300	M14	14.5	23.5	30	43	20	32	54	120
ATL-300-16	300	M16	17	23.5	30	43	20	32	54	120
ATL-300-20	300	M20	21	23.5	30	43	20	32	54	120
ATL-400-10	400	M10	10.5	28.5	36.5	50	22	34	62	134
ATL-400-12	400	M12	13	28.5	36.5	50	22	34	62	134
ATL-400-14	400	M14	14.5	28.5	36.5	50	22	34	62	134
ATL-400-16	400	M16	17	28.5	36.5	50	22	34	62	134
ATL-400-20	400	M20	21	28.5	36.5	50	22	34	62	134
ATL-500-12	500	M12	13	30	39	56	28	33	69	145
ATL-500-14	500	M14	14.5	30	39	56	28	33	69	145
ATL-500-16	500	M16	17	30	39	56	28	33	69	145
ATL-500-20	500	M20	21	30	39	56	28	33	69	145
ATL-630-12	630	M12	13	35	45	63.8	33	33	78	158
ATL-630-14	630	M14	14.5	35	45	63.8	33	33	78	158
ATL-630-16	630	M16	17	35	45	63.8	33	33	78	158
ATL-630-20	630	M20	21	35	45	63.8	33	33	78	158
ATL-1000-12	1000	M12	13	44	56.2	79	23	24	126	202
ATL-1000-16	1000	M16	17	44	56.2	79	23	24	126	202
ATL-1000-20	1000	M20	21	44	56.2	79	23	24	126	202



LONG BARREL TWO HOLE CABLE LUGS



ATL-2E

FEATURES:

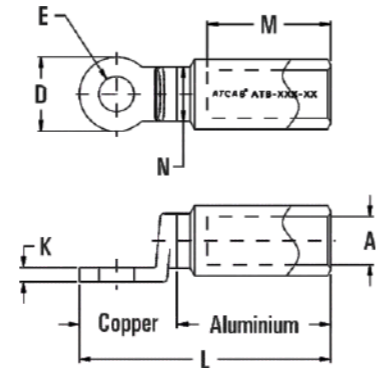
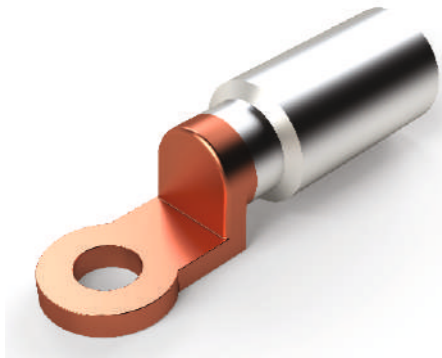
- Extended Longer Length Barrel Permits Extra Crimps For Additional Assurance On Heavy Duty Loads
- Annealed Material Optimizes Material And Crimping Properties
- 2 Hole Heavy Duty Lugs Are Best Suited In Application Where Two Bolts Are Needed To Avoid Rotation Or Movement Of The Lugs
- Flat Contact Surface And Precise Stud Holes As Per The Metric Standard

MATERIAL:
High Conductivity ETP - Copper

FINISH:
Electro Tin Plated

Product Code	Cable mm ²	Stud Size	Stud Hole Size E	Hole Spacing	Barrel ID A	Barrel OD C	Palm Width D	Stud Center Distance G	H	Barrel Length B	Total Length L
ATL-6-2E-6	6	M6	6.5	44.5	3.8	5.5	12	7	7	15	76
ATL-6-2E-8	6	M8	8.4	44.5	3.8	5.5	12	7	7	15	76
ATL-10-2E-6	10	M6	6.5	44.5	4.5	6.8	12	7	7	15	78.5
ATL-10-2E-8	10	M8	8.4	44.5	4.5	6.8	12	7	7	15	78.5
ATL-10-2E-10	10	M10	10.5	44.5	4.5	6.8	15	10	10	15	84.5
ATL-10-2E-12	10	M12	13	44.5	4.5	6.8	17	10	12	15	86.5
ATL-16-2E-6	16	M6	6.5	44.5	5.4	7.6	12	7	7	18	79.5
ATL-16-2E-8	16	M8	8.4	44.5	5.4	7.6	12	7	7	18	79.5
ATL-16-2E-10	16	M10	10.5	44.5	5.4	7.6	15	7	7	18	79.5
ATL-16-2E-12	16	M12	13	44.5	5.4	7.6	17	10	12	18	85.5
ATL-25-2E-8	25	M8	8.4	44.5	6.8	8.8	13	8	12	16	85.5
ATL-25-2E-10	25	M10	10.5	44.5	6.8	8.8	15	8	12	16	85.5
ATL-25-2E-12	25	M12	13	44.5	6.8	8.8	17	8	12	16	85.5
ATL-35-2E-8	35	M8	8.4	44.5	8.2	10.6	16	9	14	20	92.5
ATL-35-2E-10	35	M10	10.5	44.5	8.2	10.6	16	9	14	20	92.5
ATL-35-2E-12	35	M12	13	44.5	8.2	10.6	16	9	14	20	92.5
ATL-50-2E-8	50	M8	8.4	44.5	9.5	12.4	18	10	16	26	103.5
ATL-50-2E-10	50	M10	10.5	44.5	9.5	12.4	18	10	16	26	103.5
ATL-50-2E-12	50	M12	13	44.5	9.5	12.4	20	10	16	26	103.5
ATL-50-2E-14	50	M14	14.5	44.5	9.5	12.4	20	10	16	26	103.5
ATL-70-2E-8	70	M8	8.4	44.5	11.3	14.6	21	12	19	28	110.5
ATL-70-2E-10	70	M10	10.5	44.5	11.3	14.6	21	12	19	28	110.5
ATL-70-2E-12	70	M12	13	44.5	11.3	14.6	21	12	19	28	110.5
ATL-70-2E-14	70	M14	14.5	44.5	11.3	14.6	22	12	19	28	110.5
ATL-70-2E-16	70	M16	17	44.5	11.3	14.6	22	14.5	16.5	28	110.5
ATL-95-2E-8	95	M8	8.4	44.5	13.5	17.4	25	12	20	32	118.5
ATL-95-2E-10	95	M10	10.5	44.5	13.5	17.4	25	12	20	32	118.5
ATL-95-2E-12	95	M12	13	44.5	13.5	17.4	25	12	20	32	118.5
ATL-95-2E-14	95	M14	14.5	44.5	13.5	17.4	25	14	19	32	119.5
ATL-95-2E-16	95	M16	17	44.5	13.5	17.4	25	14	19	32	119.5
ATL-95-2E-18	95	M18	19	44.5	13.5	17.4	25	14	19	32	119.5
ATL-120-2E-8	120	M8	8.4	44.5	15	19.4	28	14	23	35	126.5
ATL-120-2E-10	120	M10	10.5	44.5	15	19.4	28	14	23	35	126.5
ATL-120-2E-12	120	M12	13	44.5	15	19.4	28	14	23	35	126.5
ATL-120-2E-14	120	M14	14.5	44.5	15	19.4	28	14	23	35	126.5
ATL-120-2E-16	120	M16	17	44.5	15	19.4	28	14	23	35	126.5
ATL-120-2E-18	120	M18	19	44.5	15	19.4	28	14	23	35	126.5
ATL-120-2E-20	120	M20	21	44.5	15	19.4	28	14	23	35	126.5
ATL-150-2E-8	150	M8	8.4	44.5	16.5	21.2	30	14	24	38	130.5
ATL-150-2E-10	150	M10	10.5	44.5	16.5	21.2	30	14	24	38	130.5
ATL-150-2E-12	150	M12	13	44.5	16.5	21.2	30	14	24	38	130.5
ATL-150-2E-14	150	M14	14.5	44.5	16.5	21.2	30	14	24	38	130.5
ATL-150-2E-16	150	M16	17	44.5	16.5	21.2	30	14	24	38	130.5
ATL-150-2E-18	150	M18	19	44.5	16.5	21.2	30	14	24	38	130.5
ATL-150-2E-20	150	M20	21	44.5	16.5	21.2	30	14	24	38	130.5
ATL-185-2E-8	185	M8	8.4	44.5	18.5	23.5	34	17	23	43	139.5
ATL-185-2E-10	185	M10	10.5	44.5	18.5	23.5	34	17	23	43	139.5
ATL-185-2E-12	185	M12	13	44.5	18.5	23.5	34	17			

BIMETALLIC LUGS



ATB

MATERIAL:

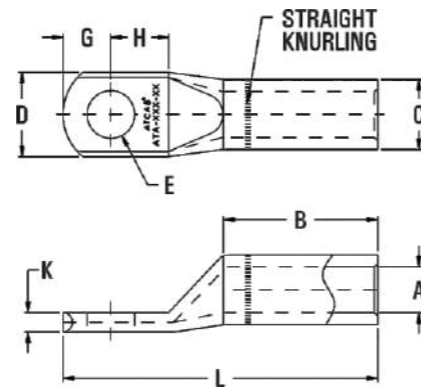
High Conductivity ETP - Copper & High Conductivity Electrolytic Aluminium

FEATURES:

- For Tapping Into Unbroken Continuous Main, As A Wire Joint Or Two-way Splice
- Made From Heavy Wall, Extruded, High Conductivity Copper; Provides High Strength And Premium Electrical Properties
- Wide Wire Range-Taking Capability Minimizes Inventory Requirements

Product Code	Cable mm ²	Stud Size	Stud Hole Size	Barrel ID	Palm Width	Total Length	Barrel ID Length	Outer Diameter	Palm Thickness
			E	A	D	L	M	N	K
ATB-300-12	300	M12	13	23.3	35	122	60	26.5	7
ATB-300-16	300	M16	17	23.3	35	122	60	26.5	7

ALUMINIUM CABLE LUGS



ATA

MATERIAL:

High Conductivity Electrolytic Aluminium

FEATURES:

- With Signification Lower Dead Weight Aluminium Conductors Popular Choice In Power Distribution Application
- They Are Designed To Accept A Variety Of Conductor Forms Especially Low Standard Compact Conductors
- Aluminium Lugs Are Made Up Of 99.5% Pure Aluminium

Product Code	Cable mm ²	Stud Size	Stud Hole Size	Barrel ID	Barrel OD	Palm Width	Palm Thickness	Stud Center Distance	Stud Center	Barrel Length	Total Length
			E	A	C	D	K	G	H	B	L
ATA-150-16	150	M16	17	16.3	25	30	8	17	20.5	55	112
ATA-185-16	185	M16	17	18.3	26.5	37	8	17	23	56	117
ATA-300-16	300	M16	17	23.3	34	48	13	19	25.5	71	144

Application



Power Plants

Installations manufactured specially for Power Plants.



Marine Applications

Products designed for shipping industry, off-shore mining and drilling settings, etc.



Railway Industry

Cable glands designed specially for the railway industry and associated installations.



Industrial Glands

Used in hazardous environmental conditions.



Power and Utility Glands

Designed for power transmission, distribution and high-voltage electrical cables.



Oil and Gas Industry

Safety products for underwater oil and gas exploration.