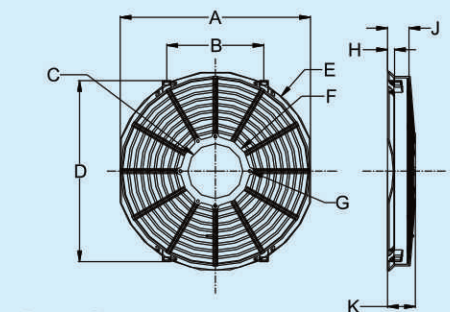
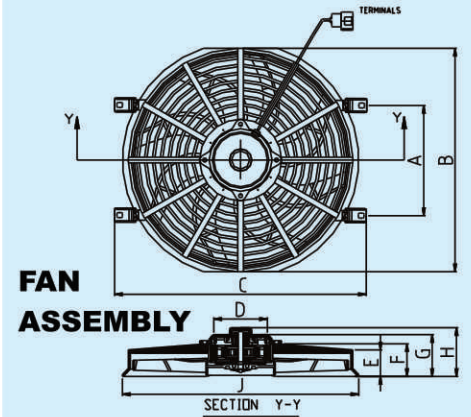
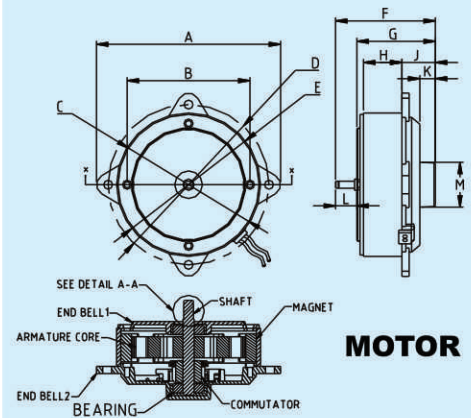
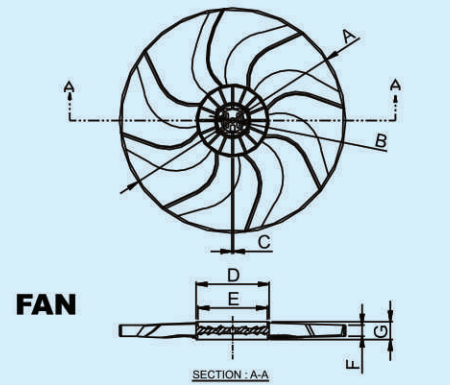
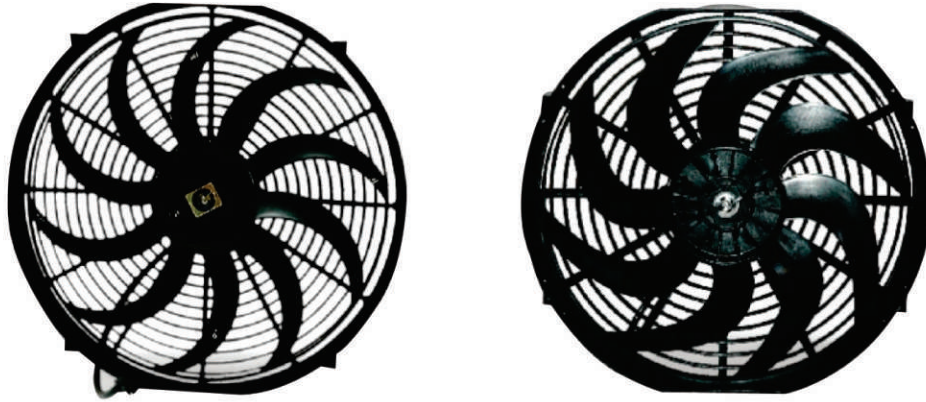




PM DC MOTOR

PM DC MOTOR



All Dimensions in mm

PM DC MOTOR

ELECTRICAL PERFORMANCE

Model No.	DC Voltage volt	No load			On load Power watt	Speed Rpm	Air flow in free air M3/hr
		Current Amp.	Speed Rpm	Current Amp.			
MDC35-10B30F/3L-DA1	12	<2	2500	9	110	2150	>1700
MDC40-10B30F/3L-DB1	12	<2	2500	9	110	2250	>1900
10B25B/3L-DA7	12	<2	2500	6.5	80	2100	>1200*
10B40F/3L-DA3	12	<4	3000	16.5	200	2550*	
10B40F/3L-DA4	12	<3	3000	12.5	150	2300*	
10B53F/3L-DA5	12	<5	3500	29	350	2700*	

MECHANICAL DIMENSIONS (MM)

Model No.	A	B	C	D	E	F	G	H	J	K	L	M
	±1.0	±0.5	±1.0	±0.5	±1.0	±0.5	±0.5	±0.5	±0.5	±0.5	±0.5	±0.5
MDC35-10B30F/3L-DA1	130.5	87.0	100	114	102	70.7	55.5	29	23.7	11	15.1	32
MDC40-10B30F/3L-DB1	130.5	87.0	100	114	102	70.7	55.5	29	23.7	11	15.1	32
10B25B/3L-DA7	-	87.0	100	97	102	68.0	54.5	25	24.5	7.0	13.5	25
10B40F/3L-DA3	151.5	87.0	100	138.5	102	89.0	67.0	40	24.0	8.5	22.0	27.5
10B40F/3L-DA4	151.5	87.0	100	138.5	102	89.0	67.0	40	24.0	8.5	22.0	27.5
10B53F/3L-DA5	151.5	87.0	100	138.5	102	93.0	80.0	53	24.0	8.5	13.0	27.5

IMPELLER DIMENSIONS (MM)

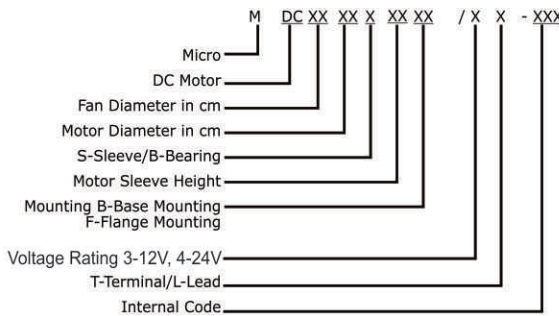
Model No.	A	B	C	D	E	F	G		
	±1.0	±1.0	±0.5	±0.5	±0.5	±0.5	±0.5		
MDC35-10B30F/6L-DA1	341	8.00	2.5	111.2	106	17	27.5		
MDC40-10B30F/6L-DB1	388	8.00	2.5	109.5	104	10.5	21.5		

SHROUD DIMENSIONS (MM)

Model No.	A	B	C	D	E	F	G	H	J	K
	±1.0	±1.0	±0.5	±1.0	±1.0	±0.5	±0.25	±0.5	±0.5	±0.5
MDC35-10B30F/6L-DA1	358	180.5	103.2	339	379	114	114.1	13	40	52.2
MDC40-10B30F/6L-DB1	408	277	103.2	339	426	114	114.1	12.7	34	52.2

ASSEMBLY DIMENSIONS (MM)

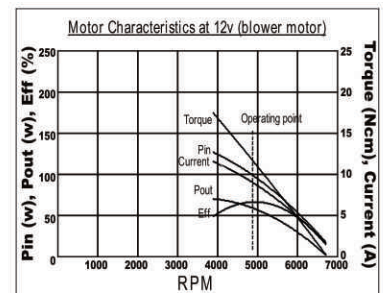
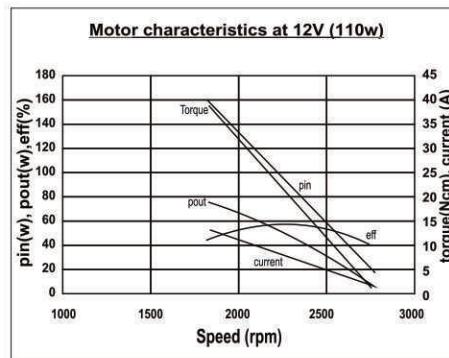
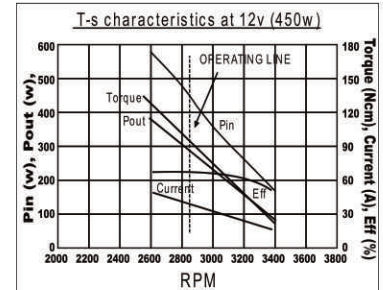
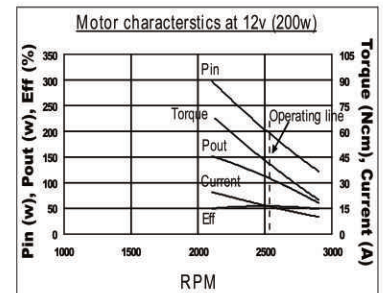
Model No.	A	B	C	D	E	F	G	H	J
	±0.5	±1.0	±1.0	±0.5	±0.5	±0.5	±1.0	±1.0	±1.0
MDC35-10B30F/6L-DA1	180.5	358	402	86	40.5	52.2	67.0	78	379
MDC40-10B30F/6L-DB1	277	408	402	86	34.5	52.2	67.0	78	426



* Currently only Motor available

Notes:

1. 3 Point/4 Point Mounting available in motors
2. Custom motor on request



MICRO INSTRUMENTS CO.

8, Industrial Area, Ambala Cantt India - 133 006, Phones : +91-171- 2699935/2699529/2698043
 Fax : +91-171-2699008/2699221 E-mail: micro1@vsnl.com , Web Site : www.microinstrumentsco.com