

BLDC AUTOMOTIVE HVAC MOTOR



BLDC AUTOMOTIVE HVAC MOTOR

Applications
Automotive Condenser
Automotive Radiator
Blower



BLDC HVAC MOTOR 17

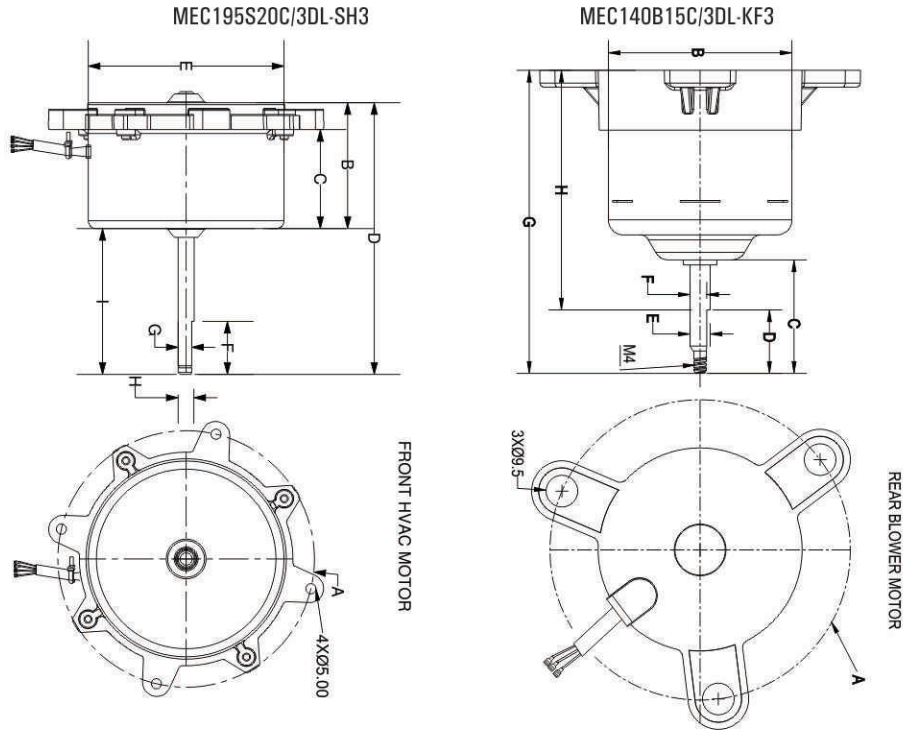


MICRO INSTRUMENTS CO.

8, Industrial Area, Ambala Cantt India - 133 006, Phones : +91-171- 2699935/2699529/2698043
Fax : +91-171-2699008/2699221 E-mail: micro1@vsnl.com , Web Site : www.microinstrumentsco.com

BLDC AUTOMOTIVE HVAC MOTOR

Dielectric Strength 1500V/1Min./1mA Max.
Insulation Resistance 500VDC/100MOhms Min.



Electrical Performance

Model No.	Speed	Operating Voltage	Current On Load	Power On Load	RPM On Load	Rotation
MEC195S20C/3DL-SH3	4	13.5V	17 Amps	235 Watts	3330	CW
	3	13.5V	10.5 Amps	145 Watts	2880	CW
	2	13.5V	6 Amps	85 Watts	2380	CW
	1	13.5V	2 Amps	30 Watts	1550	CW
MEC140B15C/3DL-KF3	1	12V	1.4 Amps	16 Watts	3420	CW
	2	12V	0.50 Amps	6 Watts	1760	CW
	1	13.5V	1.5 Amps	215 Watts	3770	CW
	2	13.5V	0.6 Amps	7.5 Watts	1940	CW

Mechanical

Model No.	A	B	C	D	E	F	G	H	I
MEC195S20C/3DL-SH3	127	62	49	134	97	26	6	8	72

Mechanical

Model No.	A	B	C	D	E	F	G	H
MEC1140B15C/3DL-KF3	90	55	34	19	6	5	91	72



BLDC HVAC MOTOR 17



MICRO INSTRUMENTS CO.

8, Industrial Area, Ambala Cantt India - 133 006, Phones : +91-171- 2699935/2699529/2698043
Fax : +91-171-2699008/2699221 E-mail: micro1@vsnl.com , Web Site : www.microinstrumentsco.com