

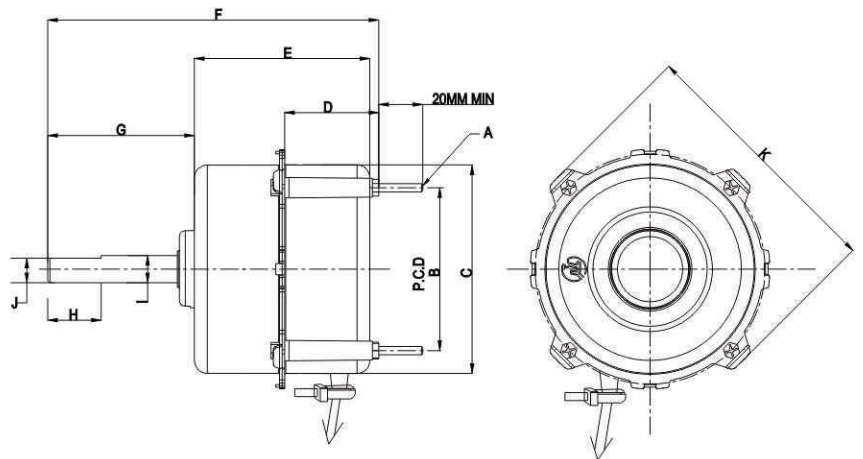


BLDC DESERT COOLER MOTOR

DESERT COOLER BRUSHLESS MOTOR



Applications
 Desert Cooler
 Room Cooler
 Personal Cooler
 Blowers &
 General Purpose



MECHANICAL DIMENSION

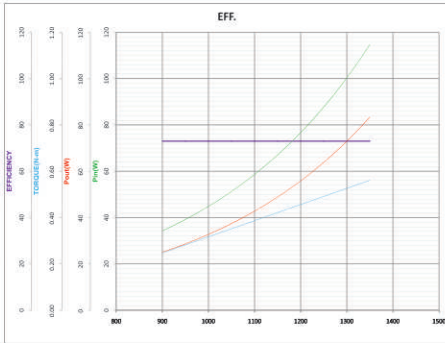
MODEL NO.	FIGURE	A	B	C	D	E	F	G	H	I	J	K	L	M	N
MEC295B25A/2AL-SJ6	1	M4	107.5	97.5	44	82	163.5	78	37.5	8	6.9	121.5	—	—	—
MEC395B25A/5DL-SJ8	1	M4	107.5	97.5	44	82	163.5	78	37.5	8	6.9	121.5	—	—	—

BLDC DESERT COOLER MOTOR

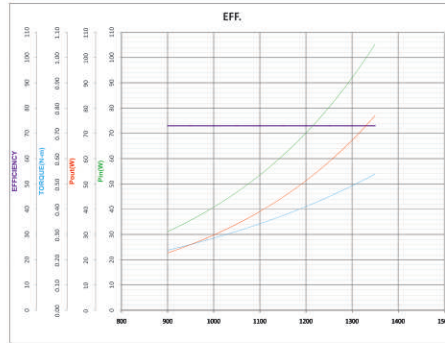
DESERT COOLER MOTORS

ELECTRICAL PERFORMANCE											
MODEL NO.	FAN SIZES	OPERATING VOLTAGE/ FREQ.	OUTPUT POWER	HIGH SPEED - 1350RPM				MED SPEED - 1250RPM		LOW SPEED - 1150RPM	
				INPUT CURRENT	INPUT POWER	CONSTANT RPM (VOLTAGE RANGE)	EFF.	INPUT CURRENT	INPUT POWER	INPUT CURRENT	INPUT POWER
MEC295B25A/2AL-SJ6	14", 4 BLADE	230/50	38	0.4	51	160V - 270V	74%	0.31	40	0.24	31
	16", 5 BLADE	230/50	75	0.79	102	190V - 270V	73%	0.62	80	0.49	63
MEC395B25A/5DL-SJ8	18", 5 BLADE	230/50	80	0.86	111	200V - 270V	72%	0.69	88	0.54	69
	16", 5 BLADE	48V DC	75	2.16	104	—	72%	—	—	—	—
	18", 5 BLADE	48V DC	80	2.5	120	—	67%	—	—	—	—

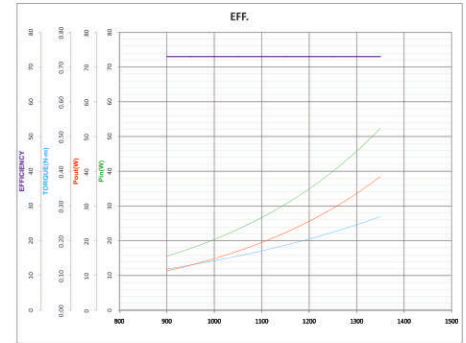
MEC295B25A/2AL-SJ6
Load 18", 5 Blade Impeller



MEC295B25A/2AL-SJ6
Load 16", 5 Blade Impeller



MEC295B25A/2AL-SJ6
Load 14", 4 Blade Impeller



MOTOR OPERATING PARAMETERS

Operating Voltage : $150V \leq V_{in} \leq 265V$
 Motor Trip Voltage : $< 160, > 270V$
 Over Load Trip Current : Factory Set
 RPM vs Voltage : Constant RPM
 Time Delay to Start : ≤ 5 Sec.
 Delays : Remote Sensing Start Delay and Full Speed
 are Achieved in Factory Set Delays
 Operating Temp. : $-10^{\circ}C$ to $+55^{\circ}C$
 Humidity : $\leq 95\%RH@50^{\circ}C$

OPTIONAL FEATURES

Switch/Remote Adjustable Speed Control
 Thermal Protection
 Soft Start for Reducing Inrush Current
 Interchangeable use of Remote and Switches
 Last Speed Saved
 Last Information Saved During Power Failure
 for Speed, Pump and Swing
 Auto Turn ON when Power Resumed

SAFETY PARAMETERS

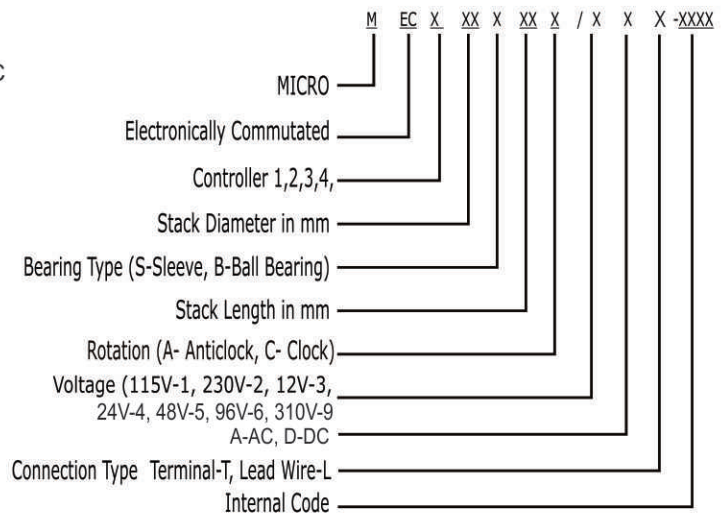
Class-B Insulation
 Insulation Resistance $> 10M\Omega@500V$ DC
 HVAC : $1500VAC, < 5mA$

REMOTE FEATURES

ON/OFF Switch
 Pump ON/OFF
 Swing ON/OFF
 LED Signals for Speeds, Pump, Swing

PROTECTIONS

Auto Power down for Locked Rotor
 Current Based Trip : Factory Set
 Over/Under Voltage Protection
 3 Trials of Auto Restart before Shut Down
 HVAC : $1500VAC, < 5mA$



BLDC DESERT COOLER 17



MICRO INSTRUMENTS CO.

8, Industrial Area, Ambala Cantt India - 133 006, Phones : +91-171- 2699935/2699529/2698043
 Fax : +91-171-2699008/2699221 E-mail: micro1@vsnl.com , Web Site : www.microinstrumentsco.com