

DESERT COOLER MOTOR



DESERT COOLER MOTOR



Application
Desert Cooler
Room Cooler

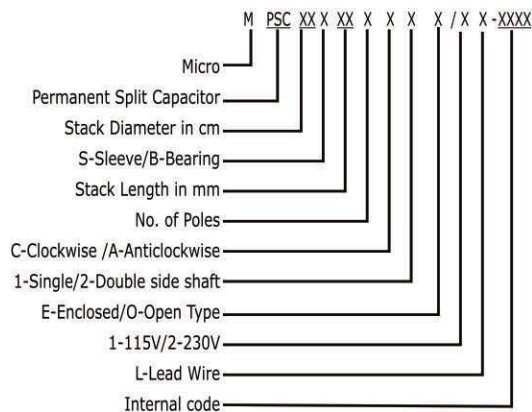
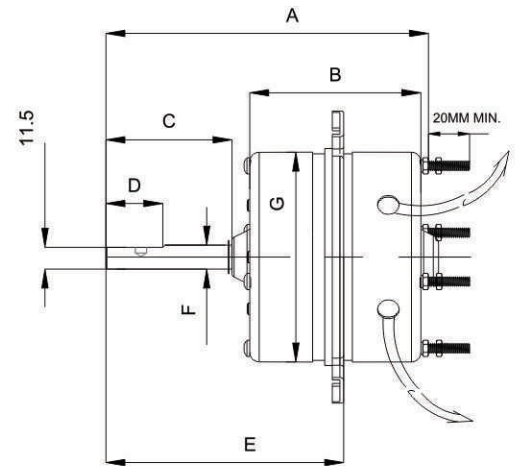
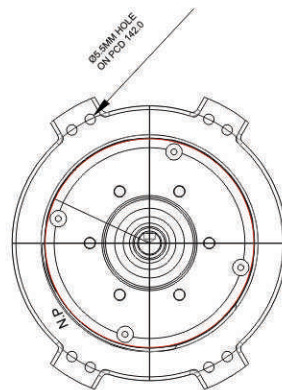
DESERT COOLER MOTOR

ELECTRICAL PERFORMANCE

| Model No. | H.P./POLES | Operating Voltage/ Freq. | Current (Full Load) Amps | Power (Full Load) Watts | Speed (Full Load) RPM | Torque (N-m) | Cap 440V | No. of Speed |
|-------------------|-------------------|-----------------------------|-----------------------------|----------------------------|--------------------------|-----------------|----------|--------------|
| 11S194A1E/2L-PH3 | 1/20 H.P., 4 Pole | 230/50 | 0.47 | 105 | 1400/1300/1200 | 0.3 | 3.15 | 3 |
| 11S224A1E/2L-PI1 | 1/20 H.P., 4 Pole | 230/50 | 0.45 | 100 | 1400/1300/1200 | 0.3 | 3.15 | 3 |
| 11S254A1E/2L-PJ1 | 1/8 H.P., 4 Pole | 230/50 | 0.69 | 155 | 1350/1250/1150 | 0.57 | 5 | 3 |
| 11S254A1E/2L-PJ2 | 1/8 H.P., 4 Pole | 230/50 | 0.69 | 155 | 1350/1250/1150 | 0.57 | 5 | 3 |
| 11S284A1E/2L-PK2 | 1/8 H.P., 4 Pole | 230/50 | 0.66 | 148 | 1350/1250/1150 | 0.59 | 5 | 3 |
| 11S324A1E/2L-PL1 | 1/7 H.P., 4 Pole | 230/50 | 0.78 | 181 | 1350/1290/1230 | 0.67 | 6 | 3 |
| 11S384A1E/2L-PM1 | 1/5 H.P., 4 Pole | 230/50 | 1.16 | 261 | 1220/1170/1120 | 0.98 | 6 | 3 |
| 126B384A1E/2L-RM1 | 1/5 H.P., 4 Pole | 230/50 | 1.42 | 317 | 1200/1140/1080 | 1.14 | 6 | 3 |

MECHANICAL DIMENSIONS

| Model No. | A | B | C | D | E | F | G |
|-------------------|-----|-----|------|------|-----|------|-----|
| 11S194A1E/2L-PH3 | 172 | 84 | 71 | 50 | — | 12.7 | 110 |
| 11S224A1E/2L-PI1 | 172 | 87 | 68 | 50 | — | 12.7 | 110 |
| 11S254A1E/2L-PJ1 | 145 | 90 | 39 | 30 | — | 12.7 | 110 |
| 11S254A1E/2L-PJ2 | 145 | 90 | 39 | 30 | 102 | 12.7 | 110 |
| 11S284A1E/2L-PK2 | 145 | 93 | 36 | 30 | — | 12.7 | 110 |
| 11S324A1E/2L-PL1 | 154 | 97 | 41 | 38.5 | — | 12.7 | 110 |
| 11S384A1E/2L-PM1 | 170 | 103 | 52 | 22 | — | 12.7 | 110 |
| 126B384A1E/2L-RM1 | 172 | 103 | 44.5 | 22 | — | 12.7 | 126 |



| | |
|-----------------------|------------------------|
| Dielectric Strength | 1500V/1 Minute/1mA Max |
| Insulation Resistance | 500V DC/100M Ω Min. |
| Bearing type | Ball bearing/Babbit |
| Life | > 20,000 hours |
| Insulation Class | B |

ENVIRONMENTAL

| | |
|-----------------------|--|
| Operating Temperature | -30°C to + 40°C |
| Drop Test | 50 cm in Original Packing |
| Vibration | 10 Minutes/Plane, 15Hz, 2 mm-Amplitude |
| Bump Test | 2000 bumps, 40G, 2-3 bumps/sec. |
| Humidity | 45±5°C, 90±5%RH, 168 hrs |