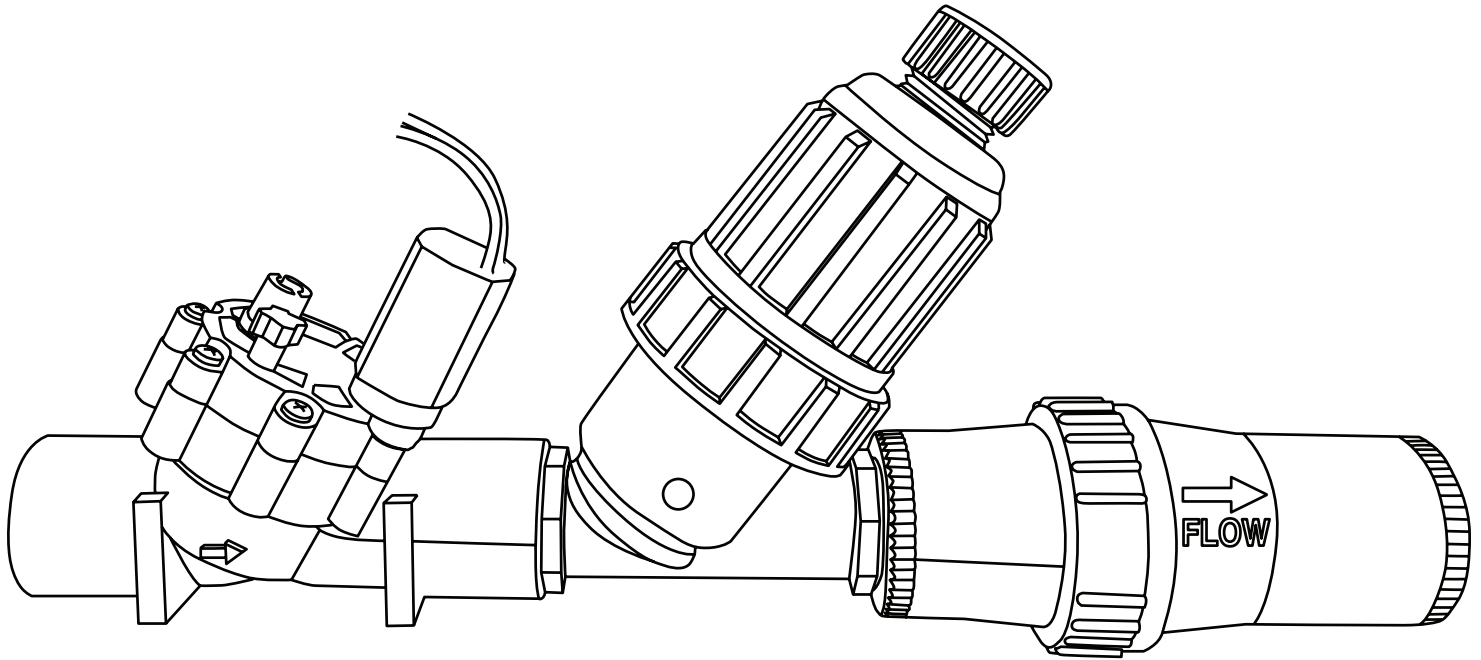




Drip Control Zone Kit

with Pressure Regulator and Filter



Models

KP7001-FPR30-KIT
KP7001-FPR40-KIT

Features and Benefits

- Pre-assembled for quick installation
- Heavy duty, corrosion resistant for long life
- 5 year warranty

Specifications

- Pressure regulation 30 or 40 PSI (2,1 bar; 2,8 bar)
- Flow: 0.5 – 25 GPM (1,9 – 94,6 LPM)
- Operating pressure: 10 – 120 PSI (0,7 – 8,3 bar)
- Solenoid: 24V AC
- Inlet: 1" (2,5 cm) female thread NPT
- Outlet: 1" (2,5 cm) female thread NPT
- Height: 6-1/2" (16,5 cm)
- Width: 3" (7,6 cm)
- Length: 14-1/2" (36,8 cm)

Installation

1. Install the valve on the supply line
2. Orient the pressure-regulating filter down
3. Connect one solenoid wire to the controller common and the other wire to the controller power using water-tight connectors
4. Unscrew the cap of the pressure-regulating filter and remove the filter element
5. Replace the cap
6. Use the controller to activate flow. Or to operate through the valve manually instead, turn the solenoid counter-clockwise 1/2 to 3/4 turns
7. Run water several minutes to flush the system
8. Install downstream elements

Maintenance

- Periodically remove the filter element, rinse and reinstall