

Lever type



MODEL 29/38

AGD TYPE C (1 5/32")



306



304



B303

METRIC

Bezel dia.	Type	Reading	Range	Graduation
29mm	302	0.01mm	0.8mm	0-40-0
	304	0.002mm	0.2mm	0-10-0
	302A	0.01mm	0.8mm	0-40-0
	304A	0.002mm	0.2mm	0-10-0
38mm	306	0.01mm	0.8mm	0-40-0
	308	0.002mm	0.2mm	0-10-0
	306A	0.01mm	0.8mm	0-40-0
	308A	0.002mm	0.2mm	0-10-0

INCH

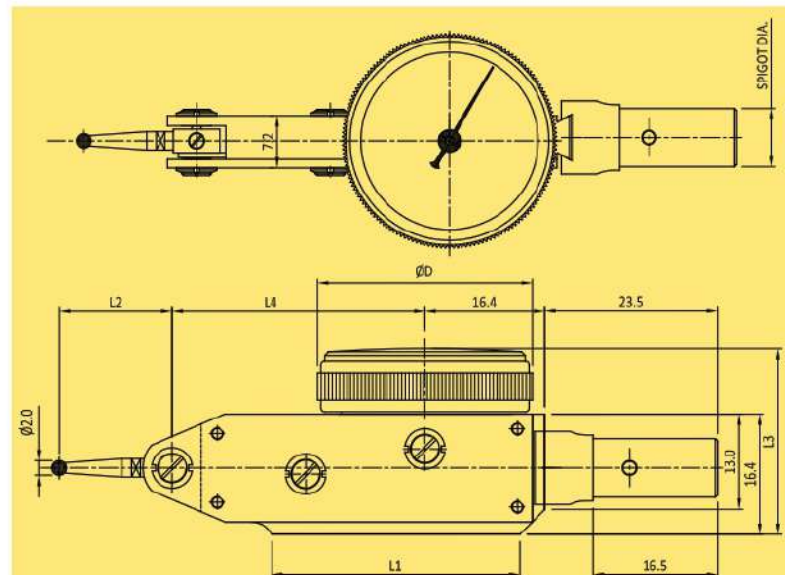
Bezel dia.	Type	Reading	Range	Graduation
29mm	301	0.0005"	0.03"	0-15-0
	303	0.0001"	0.008"	0-4-0
	301A	0.0005"	0.03"	0-15-0
	303A	0.0001"	0.008"	0-4-0
38mm	305	0.0005"	0.03"	0-15-0
	307	0.0001"	0.008"	0-4-0
	305A	0.0005"	0.03"	0-15-0
	307A	0.0001"	0.008"	0-4-0

ANSI (AGD)

Bezel dia.	Type	Reading	Range	Graduation
1 5/32"	B301	0.0005"	0.03"	0-15-0
	B303	0.0001"	0.008"	0-4-0
	B301A	0.0005"	0.03"	0-15-0
	B303A	0.0001"	0.008"	0-4-0
1 1/2"	B305	0.0005"	0.03"	0-15-0
	B307	0.0001"	0.008"	0-4-0
	B305A	0.0005"	0.03"	0-15-0
	B307A	0.0001"	0.008"	0-4-0

FEATURES

- Specification: IS, DIN, ANSI & JIS
- Every gauge carries a calibration certificate giving actual values
- Auto reversal mechanism
- Fitted with jewels and Swiss miniature ball bearings for smoother operation
- Rigid brass body for increased rigidity
- Robust and highly sensitive gauge suitable for workshop use
- Metric Gauges conform to IS 11498 and for the European market to DIN 2270
- Inch Gauges conform to ASME B89.1.10M
- Special dial Gauges for OEMs also manufactured on request
- Complete spares and after sales service available
- Integral dovetail offers flexibility and rigidity for mounting of the gauge
- Metric & Inch gauges are supplied with 2 mm tungsten carbide ball stylus and 8 mm spigot assembly as standard supply
- No additional accessories are offered when suffix A is added to the type number
- Additional 1 mm carbide ball stylus, Height Gauge adaptor, spanner, universal clamp and 4 mm dovetail spigot assembly offered as additional accessories for gauges where type number is without suffix A



TYPE	dia D	L1	L2	L3	L4	SPIGOT DIA
301	29.5	34	11	25.3	34.5	1/4" & 3/8"
302		11.9	44.9		4.0 & 8.0	
303		13	44.9		4.0 & 8.0	
304		12.9	44.9		4.0 & 8.0	
305	38	34	11	27.1	34.5	1/4" & 3/8"
306		11.9	44.9		4.0 & 8.0	
307		13	44.9		1/4" & 3/8"	
308		12.9	44.9		4.0 & 8.0	