

Dial Thickness Gauge



THROAT DEPTH: 30-200 mm



130



138



138



142



145



150

METRIC

Bezel dia.	Type	Reading	Range	Graduation	Throat Depth
56 mm	K130/0	0.1 mm	10 mm	0-10	30 mm
	K130/3	0.01 mm	10 mm	0-100	30 mm
	K130/6	0.002 mm	2 mm	0-20	30 mm
	K130/7	0.002 mm	5 mm	0-20	30 mm
	K138/0	0.1 mm	25 mm	0-10	50 mm
	K138/0L	0.1 mm	25 mm	0-10	50 mm
	K138/3	0.01 mm	25 mm	0-100	50 mm
	K138/3L	0.01 mm	25 mm	0-100	50 mm
	K142/0	0.1 mm	10 mm	0-10	100 mm
	K142/3	0.01 mm	10 mm	0-100	100 mm
	K145/0	0.1 mm	10 mm	0-10	200 mm
	K145/3	0.01 mm	10 mm	0-100	200 mm
	K150/0	0.1 mm	25 mm	0-10	200 mm
	K150/3	0.01 mm	25 mm	0-100	200 mm

INCH

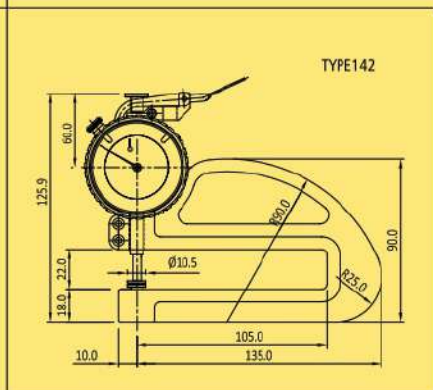
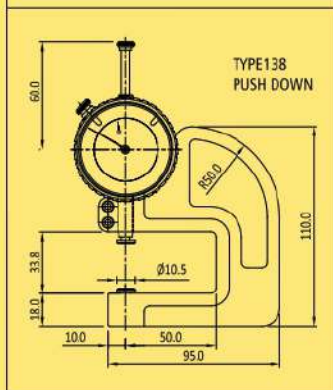
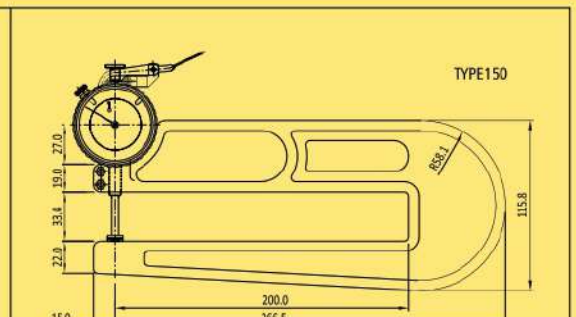
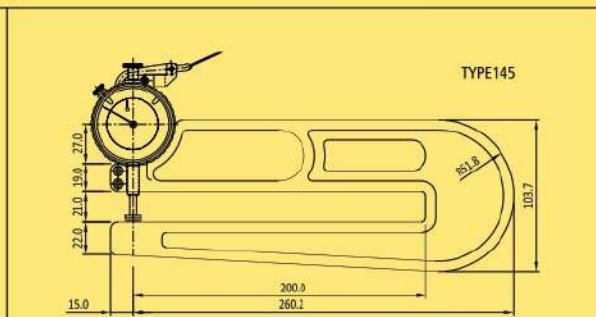
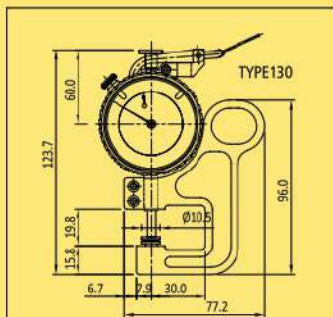
Bezel dia.	Type	Reading	Range	Graduation	Throat Depth
2 1/4"	K130/1	0.001"	0.5"	0-100	1.2"
	K130/8	0.0001"	0.05"		1.2"
	K130/9	0.0001"	0.2"		1.2"
	K138/1	0.001"	1.0"		2"
	K138/1L	0.001"	1.0"		2"
	K142/1	0.001"	0.5"		4"
	K145/1	0.001"	0.5"		8"
	K150/1	0.001"	1.0"		8"

DIGITAL

Bezel dia.	Type	Reading	Range	Throat Depth
56 mm	K130/D	0.001mm/ 0.00005"	12.5 mm/ 0.5"	30 mm
	K138/D		25 mm/ 1"	50 mm
	K142/D		12.5 mm/ 0.5"	100 mm
	K145/D		12.5 mm/ 0.5"	200 mm
	K150/D		25 mm/ 1"	200 mm

ANSI (AGD)

Bezel dia.	Type	Reading	Range	Graduation	Throat Depth
2 1/4"	K130/1B	0.001"	0.5"	0-100	1.2"
	K130/8B	0.0001"	0.05"		1.2"
	K130/9B	0.0001"	0.2"		1.2"
	K138/1B	0.001"	1.0"		2"
	K138/1LB	0.001"	1.0"		2"
	K142/1B	0.001"	0.5"		4"
	K145/1B	0.001"	0.5"		8"
	K150/1B	0.001"	1.0"		8"



FEATURES

- Every gauge carries a calibration certificate giving actual values
- For quick measurement of thickness of sheets, paper, leather etc
- In series K130, K138/L and K142, K145, K150 measurement pressure is independent of the user, resulting in accurate readings of thickness
- K138 'Push Down Type' thickness gauge is particularly useful where fine measurement is not required - for example plywood
- Well-balanced frames and handgrips coupled with lightweight make these gauges easy to use for measurement
- Supplied with Ø10 mm flat anvil as standard. Can also be supplied with Ø20 mm flat anvil on request