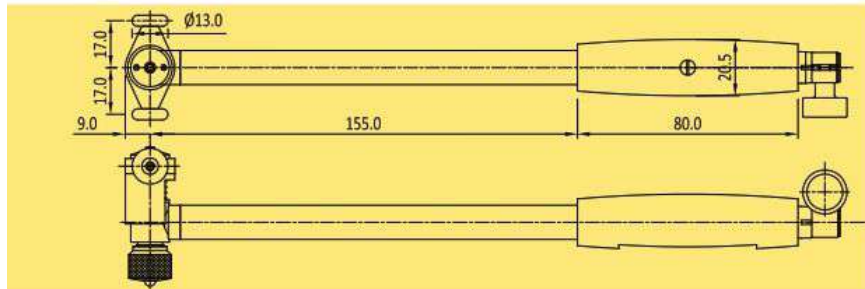


RANGE: 50-150 mm



K803

Also available with digital dial gauge



WITHOUT DIAL GAUGE

Type	Depth
K800	150 mm

METRIC

Bezel dia	Type	Reading	Depth	Graduation
56 mm	K803	0.01 mm	150 mm	0.50-0
	K809	0.002 mm		0-10-0
	K817	0.001 mm		0-100-0

INCH

Bezel dia	Type	Reading	Depth	Graduation
56 mm	K853	0.0005"	6"	0-25-0
	K861	0.0001"		0-50-0

DIGITAL

Bezel dia	Type	Reading	Depth
56 mm	K80DP	0.001 mm/0.00005"	150 mm
56 mm	K80D	0.01 mm/0.0005"	150 mm

FEATURES

- Every gauge carries a calibration certificate giving actual values
- Bore gauge covering a range of 50-150 mm, is widely used by Automobile, Aircraft, Engine and Pump manufacturers
- High wear resistance due to carbide-tipped fixed and moving anvils
- Extra wide bridge ensures automatic centering in the bore
Self-centralizing feature of this bore gauge ensures that measurement can be done with minimum skill
- Furnished in a sleek wooden case containing measurement anvils and extension rods with necessary tools

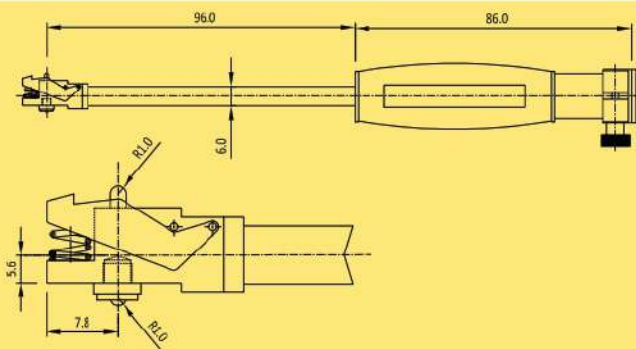


Dial Bore Gauge

RANGE: 10-18 mm



K639



WITHOUT DIAL GAGUE

Type	Depth
K600	100 mm

METRIC

Bezel dia	Type	Reading	Depth	Graduation
40 mm	K639	0.01 mm	100 mm	0-50-0

INCH

Bezel dia	Type	Reading	Depth	Graduation
1 5/8"	K641	0.001 "	4"	0-50-0

DIGITAL

Bezel dia	Type	Reading	Depth
56 mm	K60DP	0.001 mm/0.00005"	100 mm
56 mm	K60D	0.01 mm/0.0005"	100 mm

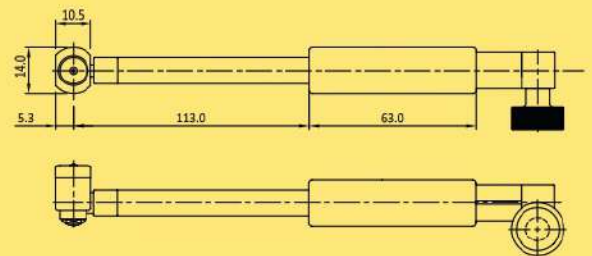
FEATURES

- Every gauge carries a calibration certificate giving actual values
- Measures small bores from 10 mm to 18 mm
- High wear resistance due to carbide-tipped fixed and moving anvils
- Wide bridge ensures automatic centering in the bore
- Self-centralizing feature of this bore gauge ensures that measurement can be done with minimum skill
- Supplied in a sleek wooden case containing measuring anvils and extension rods with necessary tools

RANGE: 18-50 mm



K703



WITHOUT DIAL GAGUE

Type	Depth
K700	175 mm

METRIC

Bezel dia	Type	Reading	Depth	Graduation
56 mm	K703	0.01 mm	110 mm	0.50-0
	K709	0.002 mm		0-10-0
	K717	0.001 mm		0-100-0

INCH

Bezel dia	Type	Reading	Depth	Graduation
56 mm	K753	0.0005 "	4.5"	0-25-0
	K761	0.0001"		0-50-0

DIGITAL

Bezel dia	Type	Reading	Depth
56 mm	K70DP	0.001 mm/0.00005"	110 mm
56 mm	K70D	0.01 mm/0.0005"	110 mm

FEATURES

- Every gauge carries a calibration certificate giving actual values
- Highly versatile 18-50mm bore gauge covers a large range for which one needs to generally purchase 2 bore gauges having ranges Ø18-35 mm and Ø35-60 mm
- High wear resistance due to carbide-tipped fixed and moving anvils
- Wide bridge ensures automatic centering in the bore
- Self-centralizing feature of this bore gauge ensures that measurement can be done with minimum skill
- Supplied in a sleek wooden case containing measurement anvils and extension rods with necessary tools