



Made in Italy



For its quality processes management Came Cancelli Automatici is ISO 9001:2000 certified, and for its environmental management it is ISO 14001 certified. Came designs and manufactures entirely in Italy.

# The range

## 230V A.C. operators

- BK-800** Complete automation system with built-in control board, radio decoding, mechanical end points and module 4 pinion for gates weighing up to 800 Kg.
- BK-800S** 230V A.C. operator for gates weighing up to 800 Kg, with module 4 pinion.
- BK-1200** Complete automation system with built-in control board, radio decoding, mechanical end points and module 4 pinion for gates weighing up to 1,200 Kg.
- BK-1200P** Complete automation system with built-in control board, radio decoding, mechanical end points and module 4 pinion. PRATICO SYSTEM radio release and 12V - 1.2Ah built-in emergency battery.
- BK-1800** Complete automation system with built-in control board, radio decoding, mechanical end points and module 4 pinion for gates weighing up to 1,800 Kg.
- BK-2200** Complete automation system with built-in control board, radio decoding, mechanical end points and module 6 pinion for gates weighing up to 2,200 Kg.
- BKE-1200** Complete automation system with built-in control board, radio decoding, encoder and module 4 pinion for gates weighing up to 1,200 Kg and max 13 m long.
- BKE-1800** Complete automation system with built-in control board, radio decoding, encoder and module 4 pinion for gates weighing up to 1,800 Kg and max 13 m long.
- BKE-2200** Complete automation system with built-in control board, radio decoding, encoder and module 6 pinion for gates weighing up to 2,200 Kg and max 13 m long.

## 230-400V A.C. three-phase operator

**BK-2200T** Operator with module 6 pinion.

## 230V A.C. control panel

**ZC3C** Plus control panel with boost function, safety device self-diagnosis, command buttons and radio decoding

## 230-400V A.C. three-phase control panel

**ZT6** Control panel with radio decoding and safety device self-diagnosis.

### Technical features

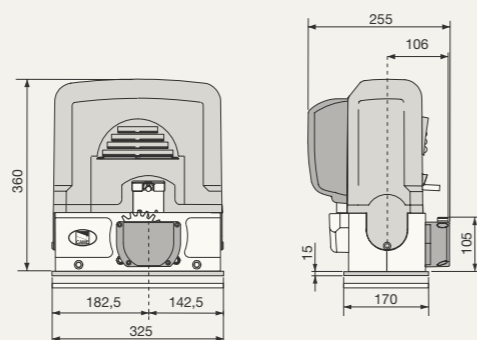
Type	BK-800/S	BK-1200/E	BK-1200/P	BK-1800/E	BK-2200/E	BK-2200/T
Protection rating	IP54	IP54	IP54	IP54	IP54	IP54
*Control board power supply (V)	230 A.C.	230 A.C.	230 A.C.	230 A.C.	230 A.C.	230-400 A.C.
*Motor power supply (V)	230 A.C.	230 A.C.	230 A.C.	230 A.C.	230 A.C.	230-400 A.C.
Current draw (A)	4,5	3,3	3,3	4,2	5,1	1,5
Max power (W)	520	380	380	480	580	600
Speed (m/min)	10,5	10,5	14,5	10,5	10,5	10,5
Duty cycle (%)	intensive use 50		30	50	50	50
Thrust (N)	800	850	850	1150	1500	1650
Operating temperature (°C)	-20 ÷ +55	-20 ÷ +55	-20 ÷ +55	-20 ÷ +55	-20 ÷ +55	-20 ÷ +55

\* 50-60 Hz ● 230V A.C. ● 230-400V Three-phase

### Limits to use

Series	BK-800/S	BK-1200/E	BK-1200P	BK-1800/E	BK-2200/E	BK-2200T
Max gate leaf weight (Kg)	800	1200	1200	1800	2200	2200
Max gate leaf length (m)	13					

### Dimensions



# Bk

Operators for sliding gates weighing up to 2,200 Kg



**Total automation flexibility for multi-user access ways**

Bk is the ideal solution when automating apartment blocks and industrial facility access ways. Its complete range features nine versions designed to meet the gate's duty and weight requirements.



Came cancelli automatici S.p.a.

via Martiri della Libertà, 15  
31030 Dosson di Casier  
Treviso - Italy

www.came.it - info@came.it

© Came DEF5731 06/2007



# Bk

230V 400V three-phase

Functionality,  
innovation,  
versatility and  
safety

Bk provides the complete solution when gate automation is required in apartment blocks, industrial and collective access ways in general. The product range includes a good 9 versions to meet all and any applicative requirements. This includes a three-phase powered model for industrial facilities. Bk stands for cutting-edge technology when it comes to duty and safety, as required by Came standards.



## The 230V electronics

Besides the normal command and safety functions, the new electronics found in the 230V Bk series provides certain features that enables total control and optimal duty performance to be obtained. Here are some examples:

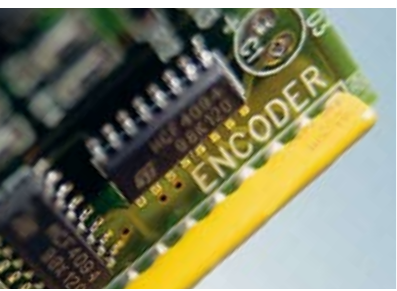
- > **Safe and simplified access**  
with the option of connecting and controlling the auxiliary lighting for the access area.
- > **Partial opening**  
to favour pedestrian access, without having to open the gate entirely.
- > **System's active safety-devices test**  
performed prior to each gate opening and closing.



Designed to withstand anything

**DO AWAY**  
with laborious  
release  
procedures

**Exclusively practical.**  
BK-1200P features the PRATI-CO SYSTEM, an extremely user-friendly Came patented device which replaces the laborious, manual release procedures required during a power outage, and does away with the hassle of searching for the keys.



**Encoder technology.**  
A safe, constant, electronically controlled movement, providing maximum assurance and safety for those using the gate.



**A safe system.**  
In all of the versions, the control electronics is built-into the unit (except for BK2200T version) and is protected from environmental agents.

**Total auto-control.**  
Prior to opening or closing the gate, the built-in electronics tests the proper functioning of all the safety devices hooked up to the system.

**Easier and safer operations.**  
Bk can be connected to and control any auxiliary lighting, which turns on each time the gate opens, making it easier and safer to drive in and out.



**Designed to last.**  
Carefully chosen materials give Bk sturdiness and lasting power, to withstand heavy-duty use.

**Safety and careful attention to detail.**  
The integrated mounting and adjustment system for the gearmotor is located inside the operator. This makes it even safer when floor mounting the unit.

## Advantages of the three-phase Bk

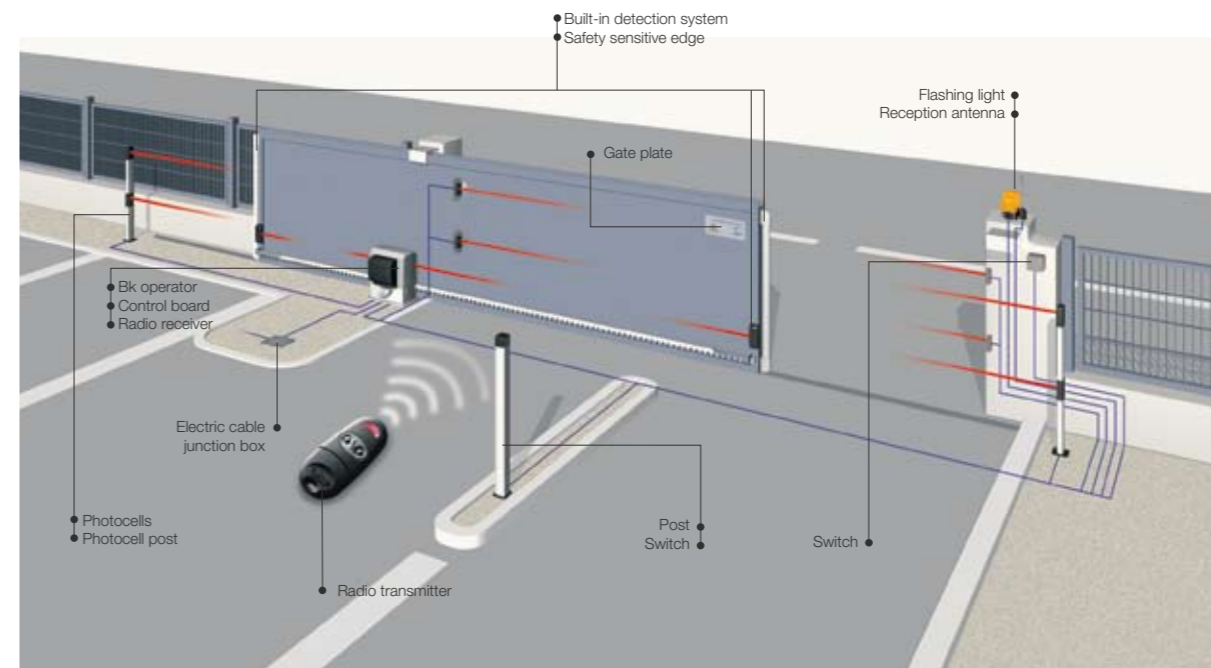


When total power, performance and reliability are needed, the Bk three-phase technology enables the operator to reach its full potential, meaning:

- > **Increased thrust when in operation**  
The 230-400V three-phase electronics provides additional dynamic thrust during the initial stage of the opening/closing phases, thus addressing any issues concerning the weight of the gate.
- > **Frequent accesses**  
The three-phase operator ensures functioning even under the most severe conditions of use, such as in industrial facilities.
- > **Inertia control**  
The weight of large gates used at industrial facilities is often an issue. The considerable mass of the gate generates passive inertia at the end of the opening/closing phases. BK-2200T, featuring the new ZT6 control panel, can control the effects of passive inertia, making access safer.



### Standard installation



In the event a careful analysis of the automated gate's risks were to require it, the use of sensitive safety infrared or contact edges becomes indispensable.

