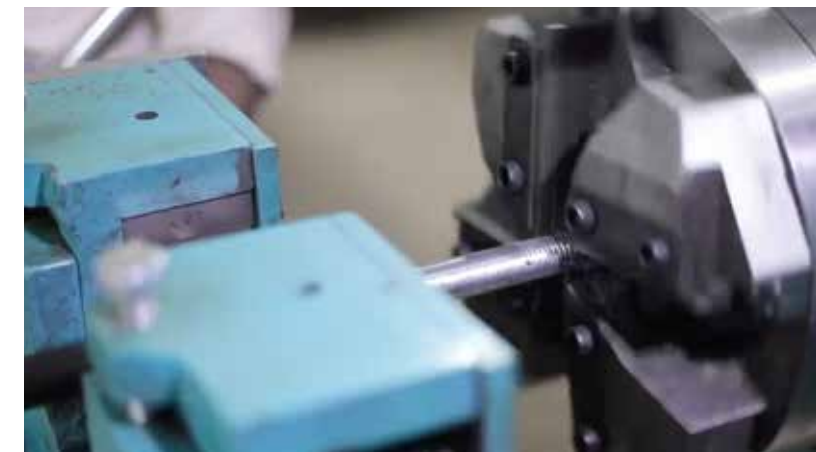
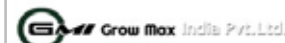


Our Certificates

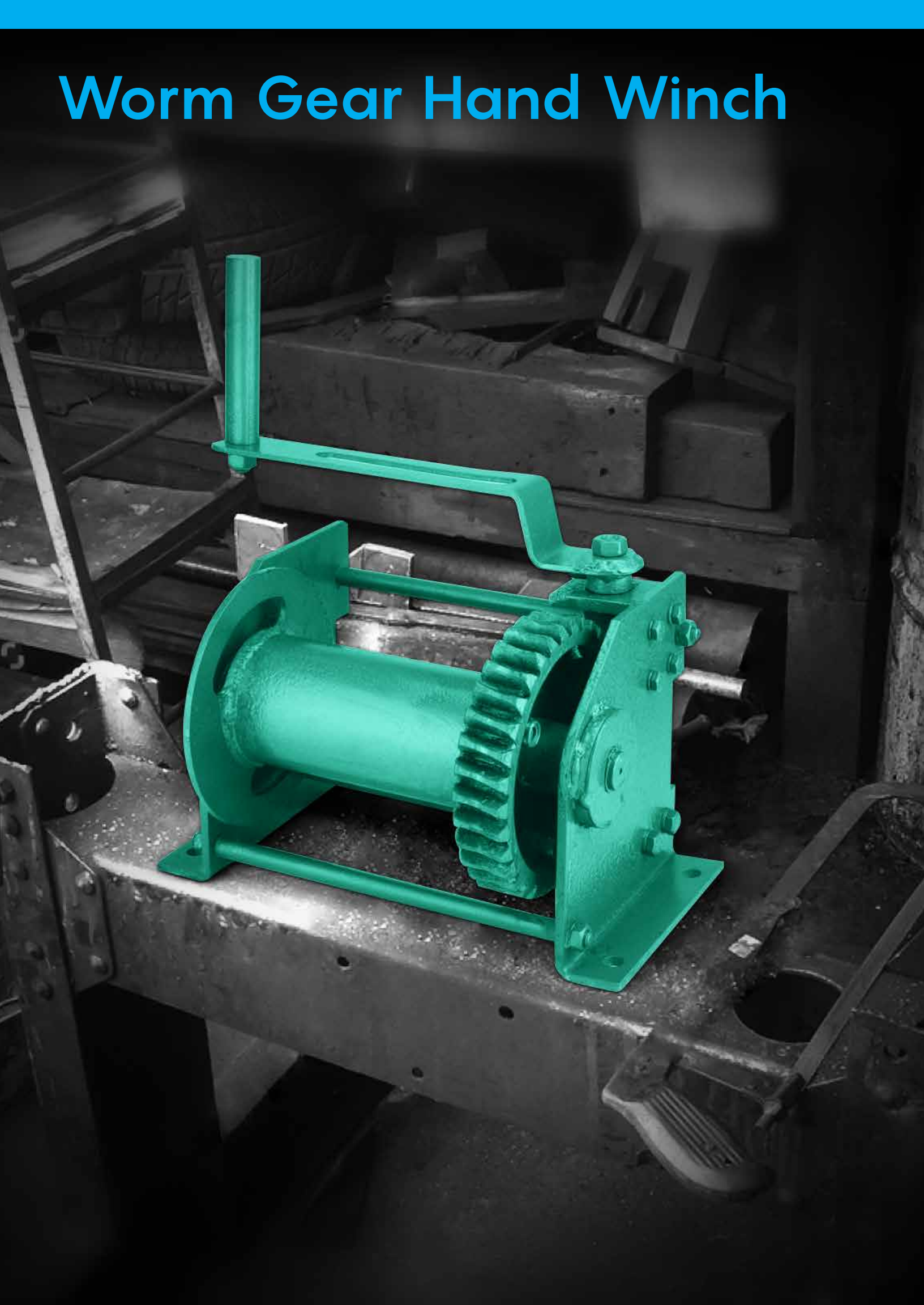
Our Facilities



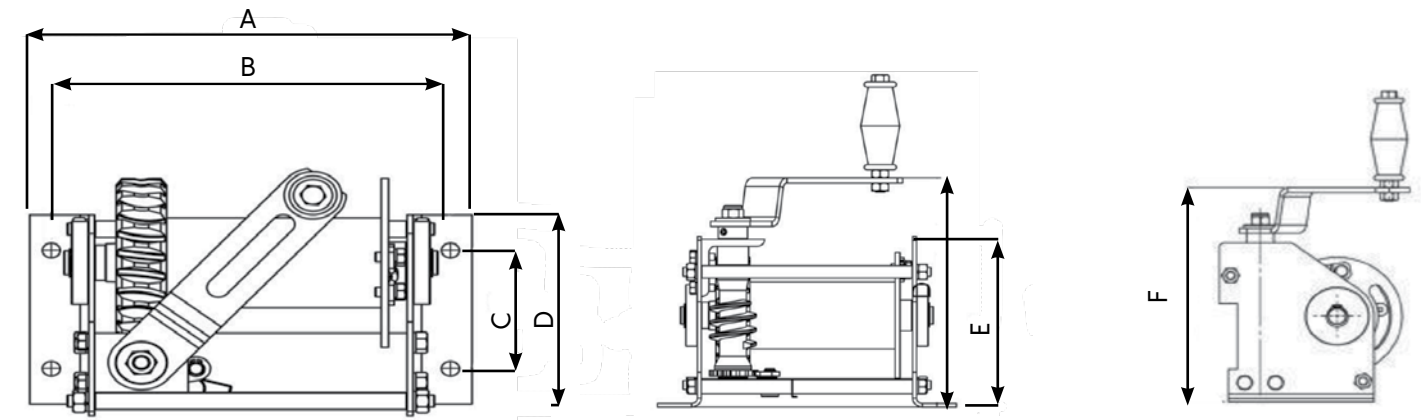
Our Clientele



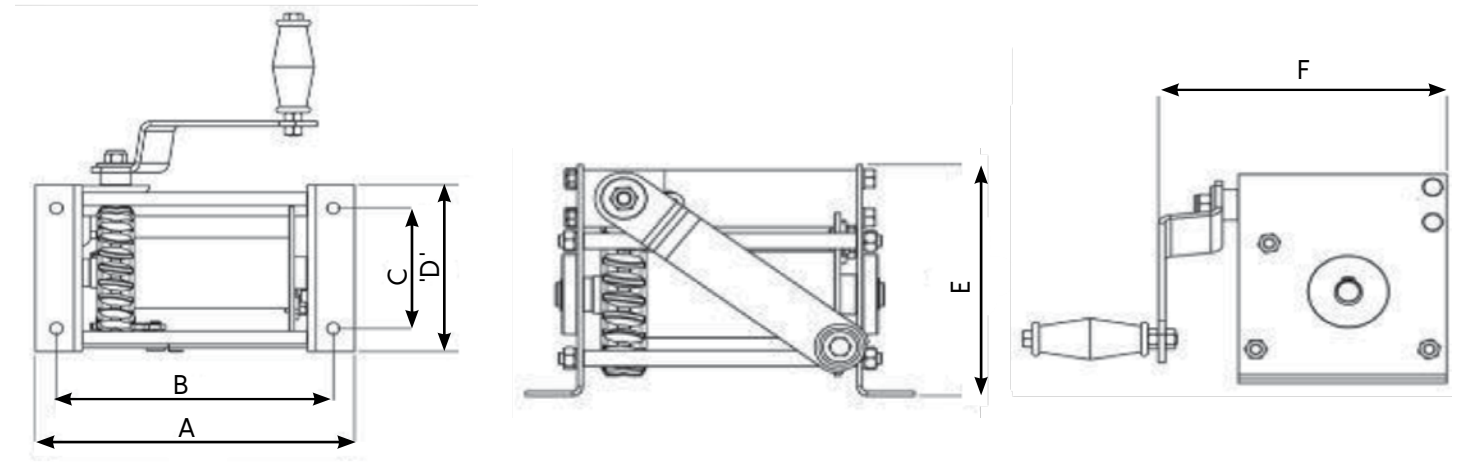
Worm Gear Hand Winch



• WALL MOUNTED TYPE



• FOOT MOUNTED TYPE



TECHNICAL SPECIFICATION

WORM GEAR HAND WINCH (FOOT / WALL MOUNTED)

Model		HWW1/HWF1	HWW2/HWF2	HWW3/HWF3
Capacity	Ton	0.5	1	1.5
Hand Effort	kg	9	15	21
Dimension A	mm	307	352	382
Dimension B	mm	277	320.5	350.5
Dimension C	mm	102.5	133	167
Dimension D	mm	162.5	183	230
Dimension E	mm	193	213	280
Dimension F	mm	259	280	350
Wire Dia	mm	6	8	12
Drum Winding capacity	mm	40	30	30
Net weight	kg	11.5	17	25

Note :- Due to continuous development and improvement specification listed above may be changed without notice.

GLOBE OVERSEAS PVT. LTD.

Registered Office: B-9, DSIIIDC Engineering Complex,
Mangolpuri Industrial Area, Phase -1, New Delhi — 110083

Ph:- 011-46802215 / 9811628456 | Email id:- goplseas@gmail.com | Web:- www.globeoverseas.org

Works - 1: F-76, Sector — 2, DSIIIDC Industrial Area, Bawana, New Delhi — 110041

Works - 2: Kewat No. 646 Khasra No.178, Beri Kultana Road, Sampla, Distt. Rohtak, Haryana — 124501