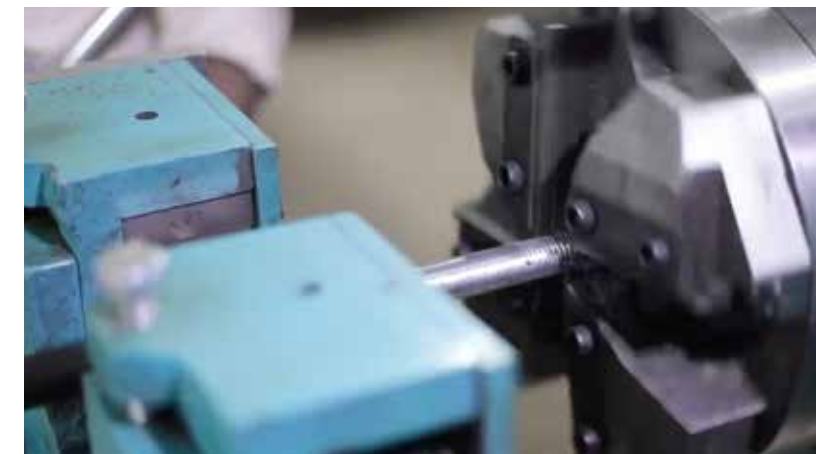
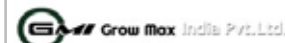


Our Certificates

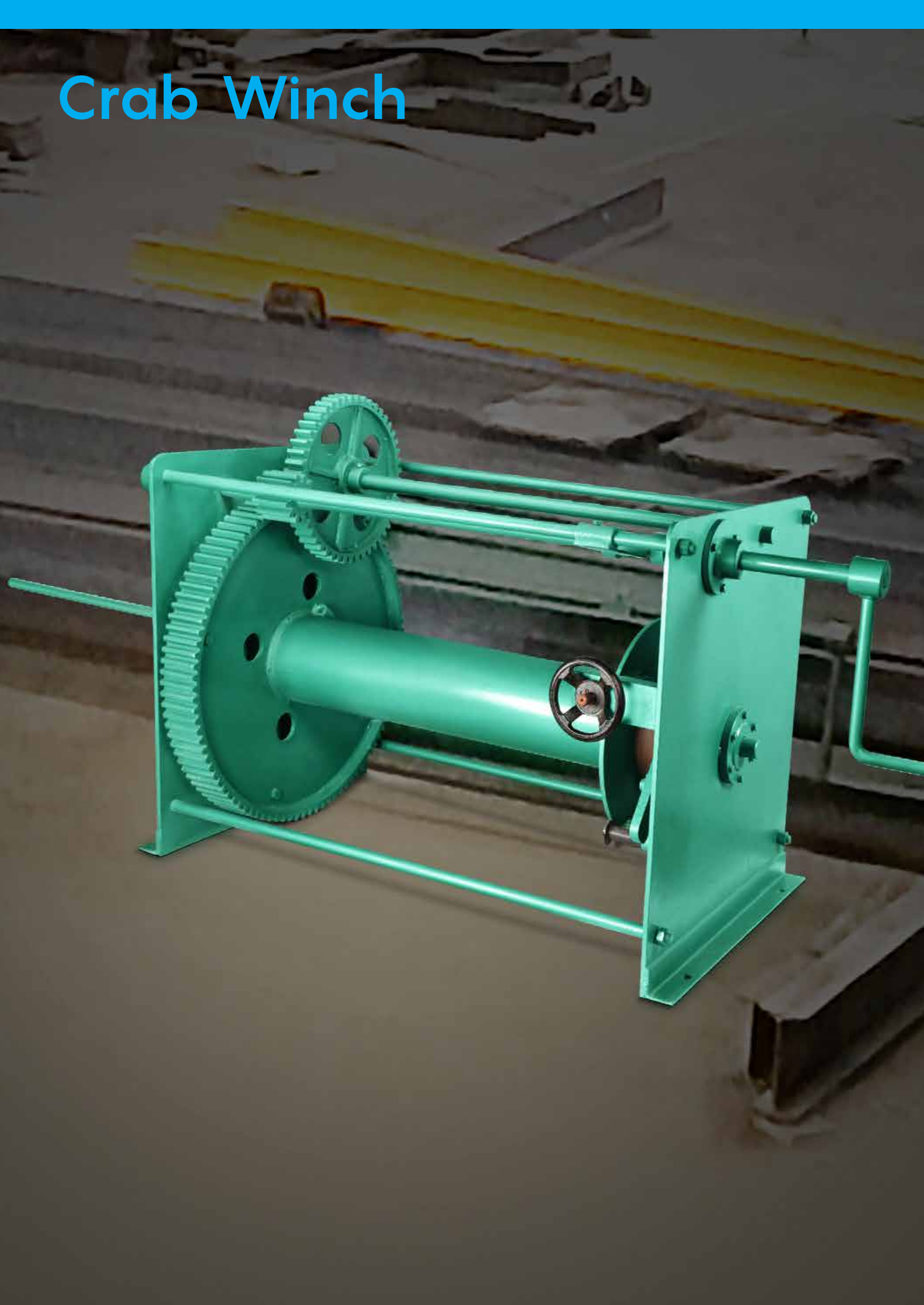
Our Facilities



Our Clientele



Crab Winch



Confirming to IS - 5112



Salient Features

APPLICATION

"GLOBE" manual Crab Winches are used for Pulling Heavy loads, Lifting Application, Erection of pillars and poles, Tensioning of electric Power Line Towers, Dam Gate Lifting, cable pulling etc.

STRUCTURE

Complete structure is fabricated from Tested steel as per IS 2062.

REDUCTION GEARS

2 & 3 Stage Gear train reduces hand effort for heavy loads as per capacity, which makes the machine more users friendly. Heavy Duty Fabricated, Precisely turned and Hob cut gears are used mounted on Ball bearings.

DUAL SPEED

This is a special feature of our winch machine, all standard machines have dual speed for free and loaded conditions which help user to minimize working time and improves efficiency.

ROPE DRUM

Fabricated Plane Drums having flanges at both ends and are designed to withstand the compressive stresses caused by the wound of rope when the drum is wound. Drum diameter and lengths are designed as per Rope Size & winding capacity/standard in multi layers.

DUAL BRAKING

Each winch is provided with twin braking arrangement which makes our winches fail safe.

1st Brake — Ratchet & Pawl arrangement

2nd Brake — manual Drum shoe brake

Each brake is suitable to sustain full load capacity.

OPERATING HANDLES

Heavy duty with suitable required length of operating handles is provided on both sides of driving shaft which helps to distribute load equally.

TEST

All operational and safety tests are carried out at our works prior to dispatch as per relevant IS Standard.

FOUNDATION & BASE FRAME

Suitable holes are provided to accommodate foundation or anchor bolts.

TECHNICAL SPECIFICATION

CRAB WINCH								
Capacity in	Ton	1	2	3	5	10	15	20
Winding Cap.	Mtr.	100	100	125	125	165	200	250
Suggested Wire Rope	mm	Ø8	Ø10	Ø14	Ø20	Ø28	Ø36	Ø40
Drum Dia	mm	160	160	215	215	270	355	400
Drum length	mm	300	400	500	560	800	1000	1200
Flange Dia	mm	285	380	400	500	600	750	900
Height A	mm	490	610	730	960	1140	1440	1700
Height B	mm	360	480	530	680	965	1140	1300
Height C	mm	600	750	900	980	1300	1700	1900

Note :- Due to continuous development and improvement specification listed above may be changed without notice.

GLOBE OVERSEAS PVT. LTD.

Registered Office: B-9, DSIIIDC Engineering Complex,
Mangolpuri Industrial Area, Phase -1, New Delhi — 110083

Ph:- 011-46802215 / 9811628456 | Email id:- goplseas@gmail.com | Web:- www.globeoverseas.org

Works - 1: F-76, Sector — 2, DSIIIDC Industrial Area, Bawana, New Delhi — 110041

Works - 2: Kewat No. 646 Khasra No.178, Beri Kultana Road, Sampla, Distt. Rohtak, Haryana — 124501