



GLOBE OVERSEAS PVT. LTD.

TM.4524191

globe
100% INDIAN COMPANY
— WORLD LEADER IN CRANE RENTALS —
— WORLD LEADER IN CRANE RENTALS —

MATERIAL HANDLING EQUIPMENT

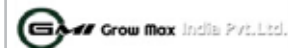
LET'S MAKE LIFTING SMARTER

Our Certificates

Our Facilities



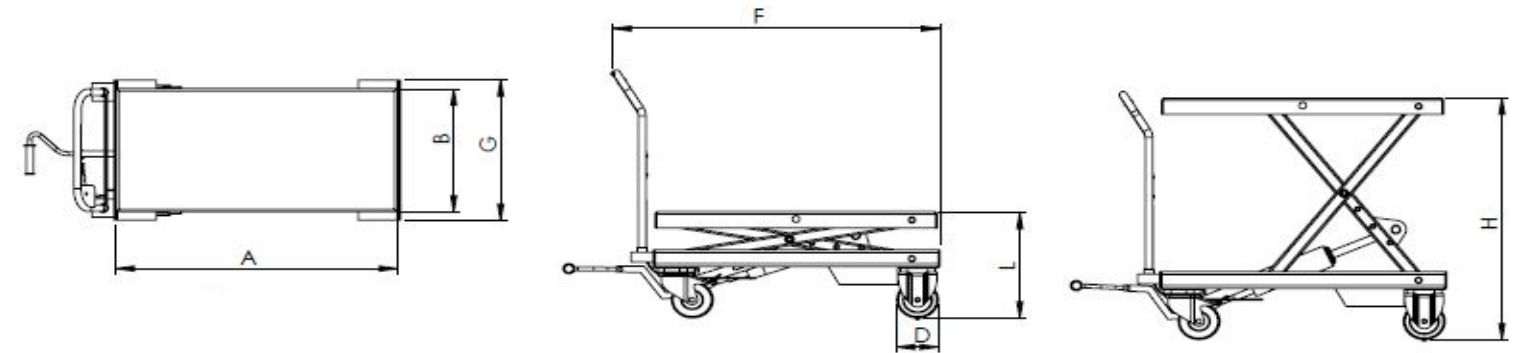
Our Clientele



Hydraulic Scissor Table



Model - HST



Lifts are typically raised and lowered using a hydraulic control valve. This valve is often operated electronically but may be operated manually in primary elevators where the hand-driven mechanism can control the descending speed.

It is manufactured by several hydraulic lifting table manufacturers in the industry. For instance, the Central hydraulics scissor lift table is commonly used in the automotive repair industry for lifting vehicles and light trucks.

We are manufacturing high-quality Portable Hydraulic Scissor Lift Table upto 2 tons capacity which is also known as lifting tables. Light in weight, Compact structure which make handling traveling on work stations more easy and friendly. Heavy-duty Hydraulic cylinder and manual hand pump is fitted which gives maximum stroke length and less hand power.

We are one of the leading Hydraulic Lifting Table Manufacturers in India. It can be used for indoor and outdoor applications. Variable platform sizes and lift height can be provided as per customer need. No installation is required at site, ready to use product.

TECHNICAL SPECIFICATION

HYDRAULIC SCISSOR TABLE

Model		HST-1.0	HST-1.5
Capacity	Kg	1000	1500
Maximum Height (H)	mm	1000	1250
Lowered Height (L)	mm	435	450
Platform Size (AxB)	mm	510*1015	600*1200
Wheel Size (D)	mm	Dia 150	Dia 150
Overall Dimensions (GxF)	mm	580*1180	700*1400
Self Wt.	Kg	128	200

Note :- Due to continuous development and improvement specification listed above may be changed without notice.

GLOBE OVERSEAS PVT. LTD.

Registered Office: B-9, DSIIIDC Engineering Complex,
Mangolpuri Industrial Area, Phase -1, New Delhi — 110083

Ph:- 011-46802215 / 9811628456 | Email id:- goplseas@gmail.com | Web:- www.globeoverseas.org

Works - 1: F-76, Sector — 2, DSIIIDC Industrial Area, Bawana, New Delhi — 110041

Works - 2: Kewat No. 646 Khasra No.178, Beri Kultana Road, Sampla, Distt. Rohtak, Haryana — 124501