



GLOBE OVERSEAS PVT. LTD.

TM.4524191

globe
100% INDIAN COMPANY
100% INDIAN OWNERSHIP
100% INDIAN MANAGEMENT

MATERIAL HANDLING EQUIPMENT

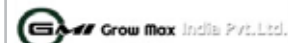
LET'S MAKE LIFTING SMARTER

Our Certificates

Our Facilities



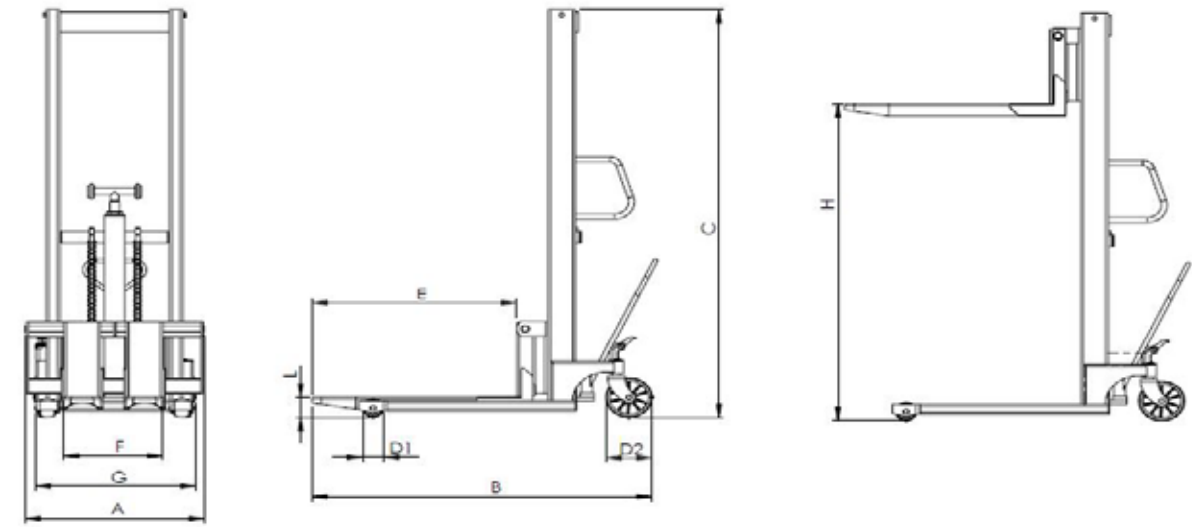
Our Clientele



Hydraulic Hand Stacker



Model - HHS



- Dual operation Hydraulic pump, hand & foot operated.
- Maximum Stroke length/Stroke.
- Maximum height.
- Heavy-duty Polymer Wheels and Bracket assembly for smooth movement
- Safety Guards for operators
- Powder Coated Structure.
- Heavy-duty Hydraulic Cylinder and pump assembly.
- Anti-skid braking arrangement on wheels.
- C — Shaped, sheet metal fabricated columns.
- Quality Stacker Manufacturers in India since 1995.

TECHNICAL SPECIFICATION

HYDRAULIC HAND STACKER

Model		HHS - 1.0	HHS-2.0
Capacity	Kg	1000	2000
Max Lifting Height (H)	mm	1600	1500
Lowered Height of Forks (L)	mm	100	100
Fork Length (E)	mm	900	900
Adjustable Width of Forks (F)	mm	230-580	350-750
Lifting Speed	mm/Stroke	20	20
Lowering Speed	mm/Stroke	Controllable	Controllable
Outer Width of Front Legs (G)	mm	650	700
Front wheel Size (D1)	mm	Dia 85*50	Dia 90*70
Rear Wheel Size (D2)	mm	Dia 180*50	Dia 200*50
Overall Size (AxBxC)	mm	750*1420*2040	780x1500x2040
Self Weight	Kg	115	200

Note :- Due to continuous development and improvement specification listed above may be changed without notice.

GLOBE OVERSEAS PVT. LTD.

Registered Office: B-9, DSIIIDC Engineering Complex,
Mangolpuri Industrial Area, Phase -1, New Delhi — 110083

Ph:- 011-46802215 / 9811628456 | Email id:- goplseas@gmail.com | Web:- www.globeoverseas.org

Works - 1: F-76, Sector — 2, DSIIIDC Industrial Area, Bawana, New Delhi — 110041

Works - 2: Kewat No. 646 Khasra No.178, Beri Kultana Road, Sampla, Distt. Rohtak, Haryana — 124501