

AV-208 Bronze Y-Type Strainer (Screwed Ends)

Features

SS Screen
Screwed Female BSP Parallel Threads BS 21

Test Pressure

Body : 500 Psig (Hyd.)
Max. Steam working pressure : 250 Psig
Max. Steam working Temp. : 225°C

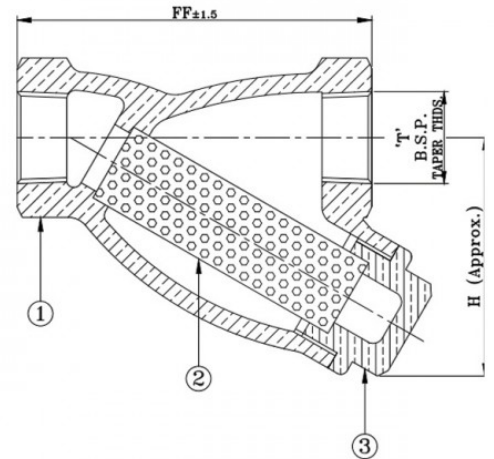
Suitability

Water, Steam, Oil



Material Combination

P.No.	Name of Part	Material	Specification
1	Body	Bronze	IBR 282 (a) (iv) Gr.B / BSEN 1982 Gr. CC491K
2	Screen	Stainless Steel	AISI-304 (1MM DIA. PERFORATIONS)
3	Cover	Bronze	IBR 282 (a) (iv) Gr.B / BSEN 1982 Gr. CC491K



Dimensional Data

Nominal Size (mm)	FF ±1.5	H	T
15	78	55	1/2"
20	100	68	3/4"
25	138	85	1"
32	152	100	1.1/4"
40	178	115	1.1/2"
50	222	140	2"