

## AV-238 Bronze Sight Glass Single Window Flow Indicator (Screwed Ends)

### Features

BSP taper threads as per BS-21

### Test Pressure

Body : 500 Psi g (Hyd.)

Max. BOP Working Pressure : 250 Psi g (Steam)

Max. Working Temp. : 220°C

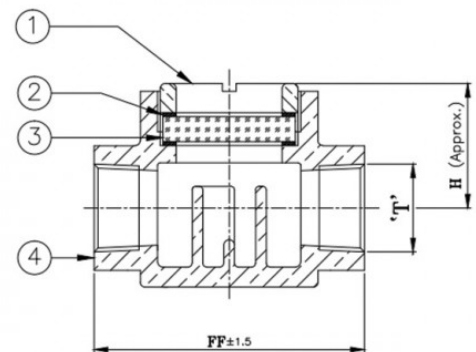
### Suitability

Water, Steam



### Material Combination

P.No.	Name of Part	Material	Specification
1	Cover	Bronze	IBR 282 (a) (iv) Gr.B / BSEN 1982 Gr. CC491K
2	Gasket	C.A.F	-
3	Glass	Toughened	-
4	Body	Bronze	IBR 282 (a) (iv) Gr.B / BSEN 1982 Gr. CC491K



### Dimensional Data

Nominal Size (mm)	FF ±1.5	H	T
15	89	40	1/2"
20	92	42	3/4"
25	102	47	1"
32	105	52	1.1/4"
40	110	55	1.1/2"
50	115	62	2"