

AV-287 Cast Steel Pilot Operated Pressure Reducing Valve

Features

Pilot Operated Outlet Pressure Range Available 5/45, 40/125 Psi g (Steam), Renewable Seat, SS Trim
 Flanges as per BS-10 Table 'F' FF (Undrilled)

Test Pressure

Body : 300 (Hyd.)
 Working Pressure : 150 Psi g (Steam)

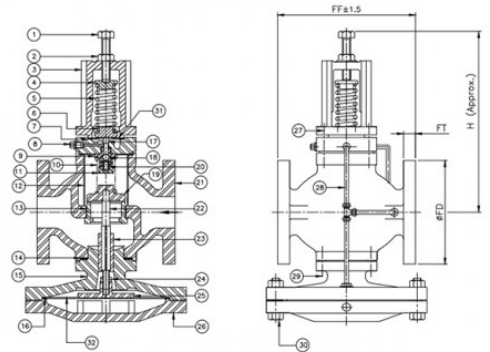
Suitability

Steam



Material Combination

P.No.	Name of Part	Material	Specification
1	Adjusting Screw	Carbon Steel	-
2	Locking Nut	Carbon Steel	-
3	Spring Housing	S.G.I.	EN 1563 Gr. GJS - 400 - 15
4	Spring Top Disc	Stainless Steel	AISI 410
5	Pressure Adjusting Spring	Spring Steel	IBR 307 TO 314
6	Spring Bottom Disc	Stainless Steel	AISI 410
7	Gasket	C.A.F.	-
8	Side Plug	Carbon Steel	-
9	Pilot Valve Body	Stainless Steel	AISI 304
10	Main Valve Retuen Spring	Carbon Steel	IBR 307 TO 314
11	Pilot Valve Spring Retaining Check Nut	Stainless Steel	AISI 304
12	Strainer Screen	Stainless Steel	AISI 304
13	Main Valve Body Seat Ring	Stainless Steel	AISI 410 + STELLITE
14	Gasket	C.A.F.	-
15	Main Diaphragm Chamber Top Half	C.S.	IBR 73 TO 80 Gr. A
16	Gasket	C.A.F.	-
17	Pilot Valve Plunger	Stainless Steel	AISI 304
18	Ball	Stainless Steel	AISI 304
19	Main Valve Disc	Stainless Steel	AISI 410 + STELLITE
20	Pilot Valve Spring	Stainless Steel	AISI 304
21	Main Valve Body	C.S.	IBR 73 TO 80 Gr. A
22	Main Valve Push Rod	Stainless Steel	AISI 410
23	Push Rod Guide Sleeve	Stainless Steel	AISI 410
24	Push Rod Lock Nut	Stainless Steel	AISI 410
25	Main Diaphragm Disc	Stainless Steel	AISI 410
26	Main Diaphragm Chamber Lower Half	C.S.	IBR 73 TO 80 Gr. A
27	Studs and Nuts	Carbon Steel	-
28	Pipe Assembly	-	-
29	Studs and Nuts	Carbon Steel	-
30	Bolts and Nuts	Carbon Steel	-
31	Pilot Diaphragm	Stainless Steel	AISI 304



P.No.	Name of Part	Material	Specification
32	Main Diaphragm	Stainless Steel	AISI 304

Dimensional Data

Nominal Size (mm)	FF ± 1.5	\varnothing FD	FT	H
25	165	120.7	9.5	215
40	203	139.7	12.7	240
50	248	165.1	15.9	260