

AV-223 Bronze Fusible Plug (One Piece Design)

Features

One Piece design
Screwed Male BSP Taper Threads (BS-21)

Test Pressure

Body : 500 Psig (Hyd.)
Max. Steam Working Pressure : 250 Psig
Max. Working Temp. : 250°C

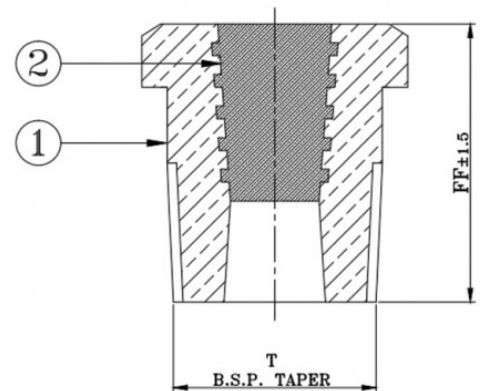
Suitability

Steam



Material Combination

P.No.	Name of Part	Material	Specification
1	Body	Bronze	IBR 282 (a) (iv) Gr. B / BSEN 1982 Gr. CC491K
2	Fusible Alloy	Pb. Sn. Alloy	IBR 333



Dimensional Data

Nominal Size (mm)	FF ±1.5	T
15	32	1/2"
20	38	3/4"
25	44	1"