

AV-131 Cast Iron Dual Plate Check Valve (Wafer Type) Class 125

Features

Wafer Type, Spring Loaded, Resilient Seated (EPDM / Nitrile), Clamping between flanges Flanged Ends as per ASME ANSI B 16.1, Class 125

Test Pressure

Body : 20.7 Bar (Hyd.)
Seat : 15.2 Bar (Hyd.)

Testing Standard

API 598

Product Standard

API 594

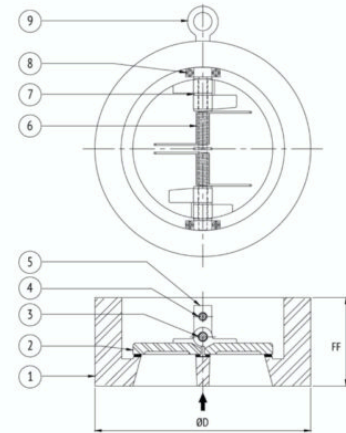
Suitability

Water, Oil, Air



Material Combination

P.No.	Name of Part	Material	Specification
1	Body	Cast Iron	BS EN 1561 Gr. GJL 200
2	Disc	Ductile Iron	EN 1563 Gr. GJS 400 15
3	Disc Holding Pin	Stainless Steel	AISI 410
4	Stopper Pin	Stainless Steel	AISI 410
5	Disc Holding Plate	Cast Iron	BSEN 1561 Gr. GJL 200
6	Spring	Stainless Steel	AISI 316
7	Bush	Stainless Steel	AISI 316
8	L - Key Screw	Carbon Steel	-
9	Eye Bolt	Carbon Steel	-



Dimensional Data

Nominal Size (mm)	FF	øD
50	54	101
65	60	119
80	67	130
100	67	170
125	83	191
150	95	214
200	127	273