

FV-503 Cast Iron Ball Valve, Class-125

Features

Two Piece Design, Lever Operated (Blow Out Proof Stem), Renewable Seat, SS Trim
Screwed Female Parallel Threads as per IS-554
Product Standard : IS-9890

Test Pressure

Body - 300 Psi g (Hyd.)
Seat - 220 Psi g (Hyd.)

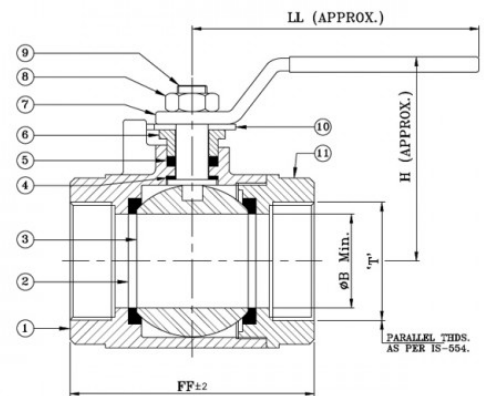
Suitability

Water, Steam, Oil, Air



Material Combination

P.No.	Name of Part	Material	Specification
1	Body	Cast Iron	IS 210 Gr. FG200
2	Seat	PTFE	-
3	Ball	Stainless Steel	ASTM A351 Gr. CF8
4	Stem Seal	PTFE	-
5	Packing	PTFE	-
6	Gland	Stainless Steel	ASTM A276 TYPE 410
7	Lever	Carbon Steel (With Plastic Sleeve)	-
8	Lever Nut	Carbon Steel	-
9	Stem	Stainless Steel	ASTM A276 TYPE 410 / ASTM A276 TYPE 304
10	Stopper	Carbon Steel	-
11	Body Connector	Cast Iron	IS 210 Gr. FG200



Dimensional Data

Nominal Size (mm)	FF ±2	H	LL	T
15	72	80	115	1/2"
20	79	87	135	3/4"
25	97	92	165	1"
32	106	98	180	1/14"
40	119	103	205	1.1/2"
50	136	110	205	2"
65	152	130	325	2.1/2"
80	189	140	325	3"
100	219	170	370	4"