



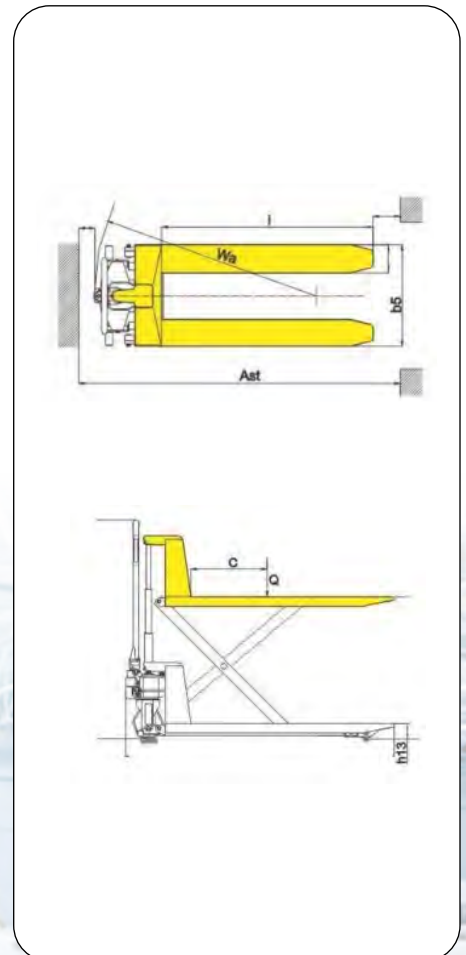
JPX 10

Hand Operated Scissor Pallet Truck

- Suitable as Pallet truck / Scissor Lift table
- Telescopic jack composes of 3 piston rods
- Prevent unit from moving when forks are raised
- Automatically show descending speed when heavy goods loaded
- 210 degree turning radius
- Good Stability via 2 lateral stabilizers when raised and via Extra front legs
- Automatic activation of self-adjusting stabilizers when lifting load higher than 400
- Support legs come into operation automatically

Specifications:

Item/ Type	No.	JPX-10
Capacity	Q(kg)	1000
Lowest fork height	h13(mm)	85
Steering wheel	(mm)	Φ180 x 50
Fork Wheel	(mm)	75 x 50
Max. Lift Height	(mm)	800
Fork Length	l (mm)	1150
Width Overall Forks	b5 (mm)	550
Aisle width for pallets 1000 * 1200 crossways	Ast (mm)	1715
Aisle width for pallets 800 * 1200 lengthways	Ast (mm)	1765
Turning Radius	Wa (mm)	1360
Service Weight	kg	104-115



For any special requirements, Please contact Jost's H.O., Dimensions indicated here are subject to variations of ± 20 mm and performance ± 10%. Service weight ± 50 kg. Right to make changes and technical improve

Pioneers In Material Handling Solutions

Platform Trucks



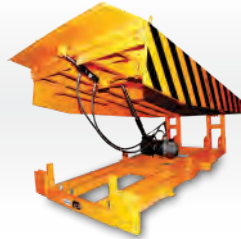
Electric Tow Trucks



Hand Pallet Trucks, Manual Stackers



Dock Levelers



Jopicker



Electric Stackers



Electric Pallet Trucks



Reach Trucks



Electric Forklift



Diesel Forklift



Customise Products



Racking Systems



Scissor Lift



For more details, please contact:



Jost's Engineering Company Limited

C-7 Wagle Industrial Estate, Road No. 12, Thane - 400 604. Maharashtra. INDIA.

T.: +91-22-6267-4000 E.: jostfact@josts.in W.: www.josts.com

Bengaluru : +91-080-4123-4775 / 4123-4885 Chennai : +91-044-2626-8536 / 2628-8407 Delhi : +91-011-4160 7989 Kolkata : +91-033-2242-9510 / 4008-1242
Pune : +91-020-2543-4565 / 2543-4390 Secunderabad : +91-040-2771-4934 / 44 / 54 Vadodara : +91-0265-2351-642

Dial-a-care: 1800-2745-661