

**ARCHITECTURAL**

**WINDOW SECTION**

DIE NO. 5TD



SCALE 1 : 1

WT. RANGE 1.670-2.000 KG./12'

DIE NO. 5001



SCALE 1 : 1

WT. RANGE 0.770-0.870 KG./12'

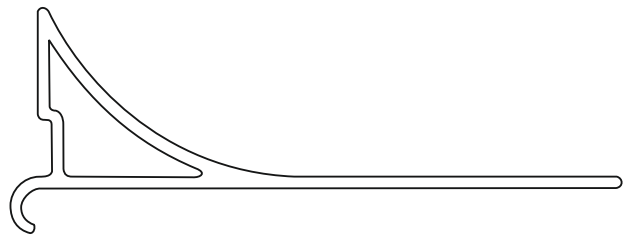
DIE NO. 5002



SCALE 1 : 1

WT. RANGE 1.430-1.530 KG./12'

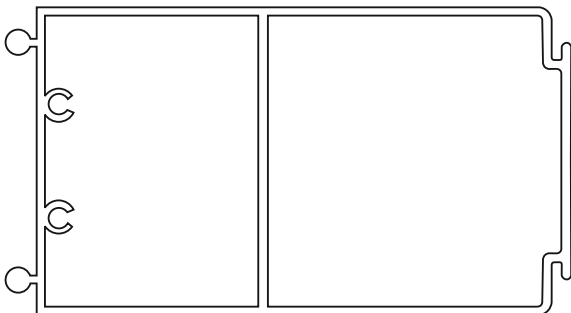
DIE NO. 5003



SCALE 1 : 1

WT. RANGE 0.975-1.050 KG./12'

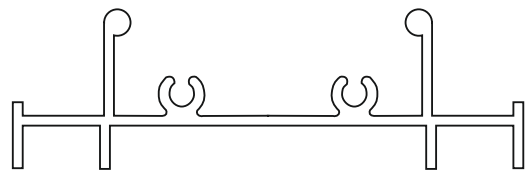
DIE NO. 5004



SCALE 1 : 1

WT. RANGE 0.820-0.900 KG./12'

DIE NO. 5005



SCALE 1 : 1

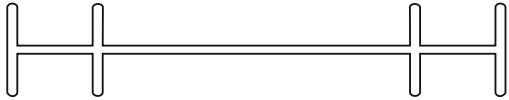
WT. RANGE 1.550-1.650 KG./12'

SELECTIONS NOT TO BE SCALED

ALL DIMENSIONS ARE IN MM

**ARCHITECTURAL**

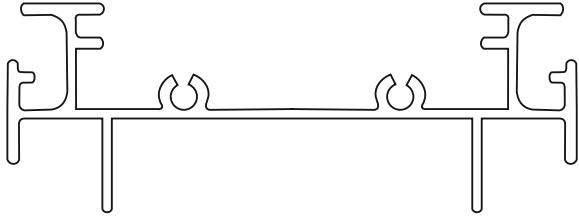
DIE NO. 5006



SCALE 1 : 1

WT. RANGE 1.065-1.160 KG./12'

DIE NO. 5007

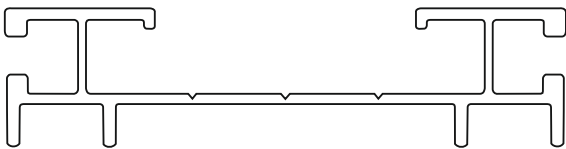


SCALE 1 : 1

WT. RANGE 1.800-1.900 KG./12'

**WINDOW SECTION**

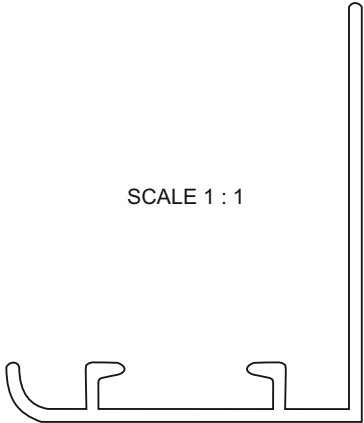
DIE NO. 5008



SCALE 1 : 1

WT. RANGE 1.560-1.660 KG./12'


DIE NO. 10501



SCALE 1 : 1

WT. RANGE 0.738-0.xxx KG./12'

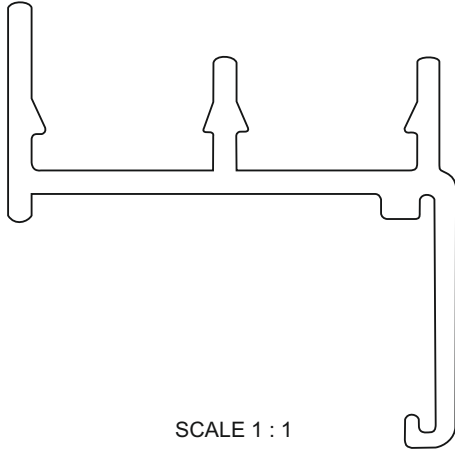
DIE NO. 10502



SCALE 1 : 1

WT. RANGE 0.413-0.xxx KG./12'

DIE NO. 12001



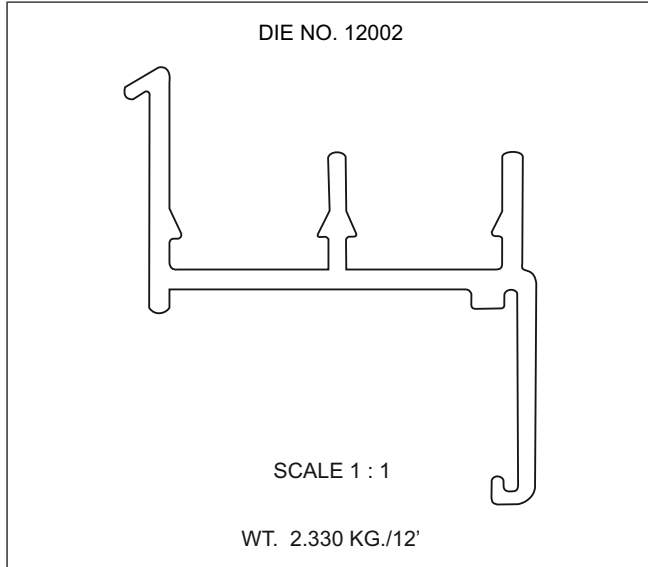
SCALE 1 : 1

WT. 2.100 KG/12'

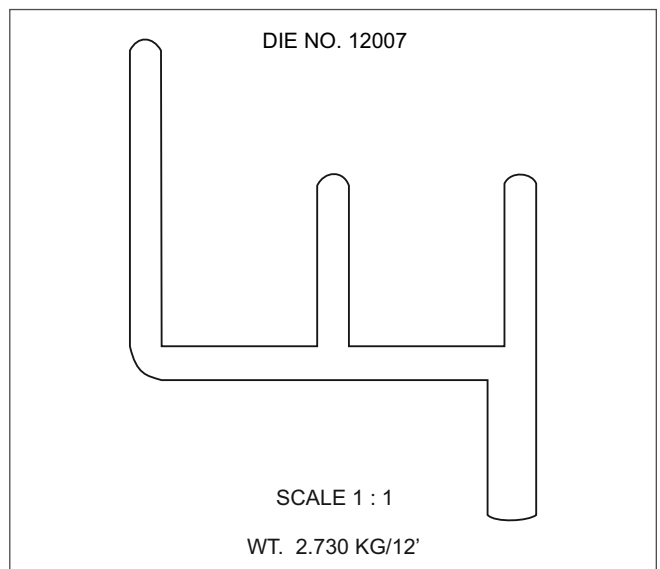
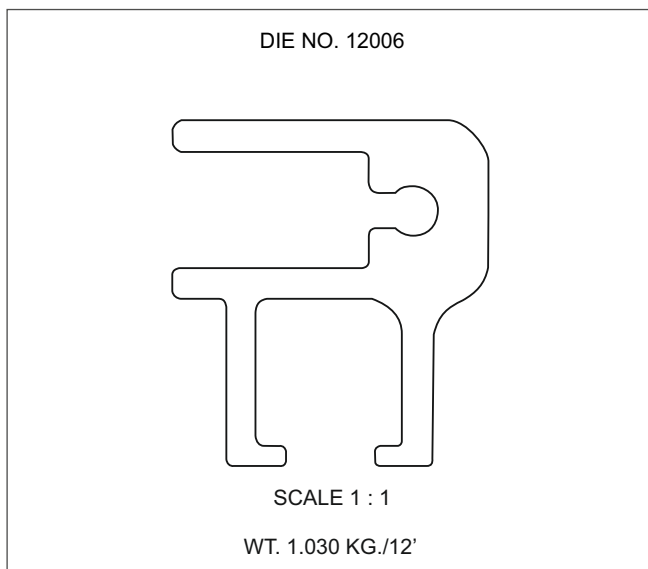
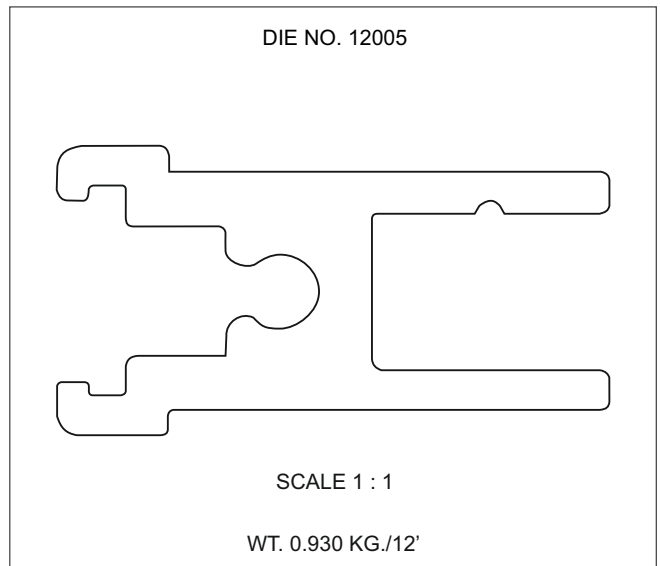
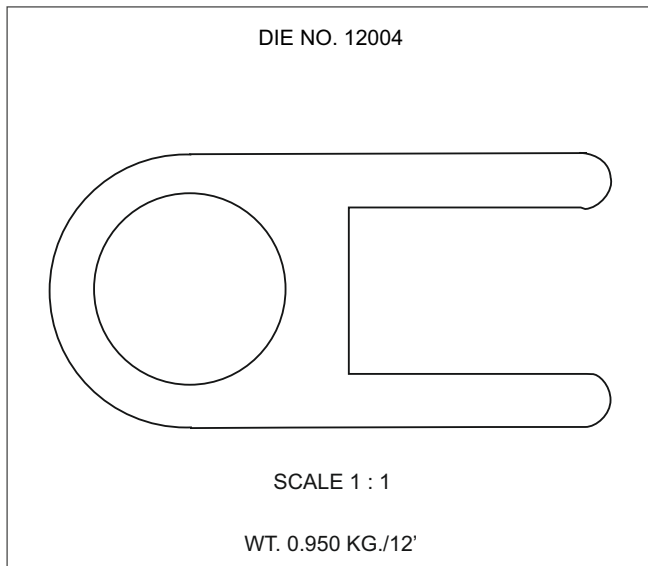
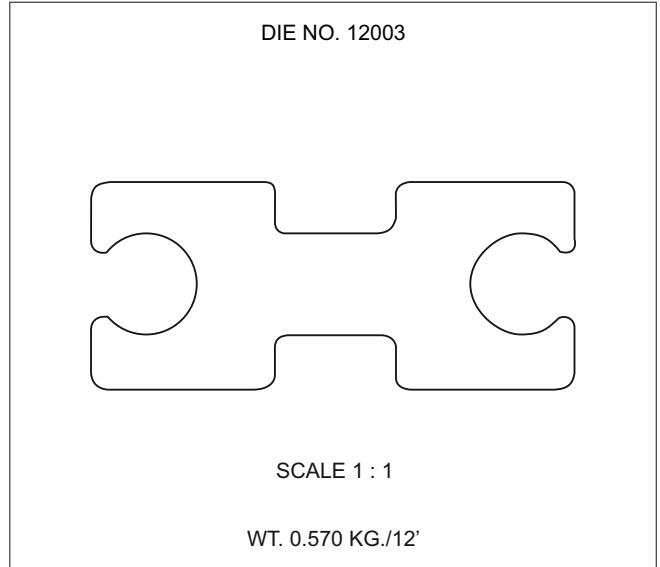
SELECTIONS NOT TO BE SCALED

ALL DIMENSIONS ARE IN MM

**ARCHITECTURAL**



**WINDOW SECTION**

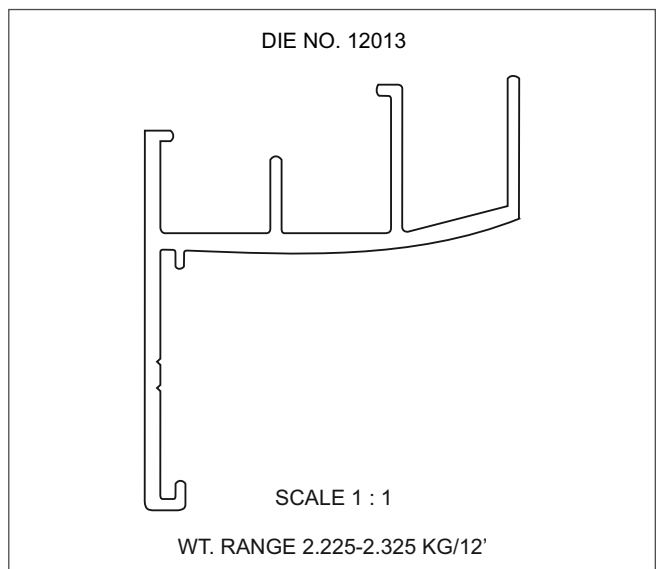
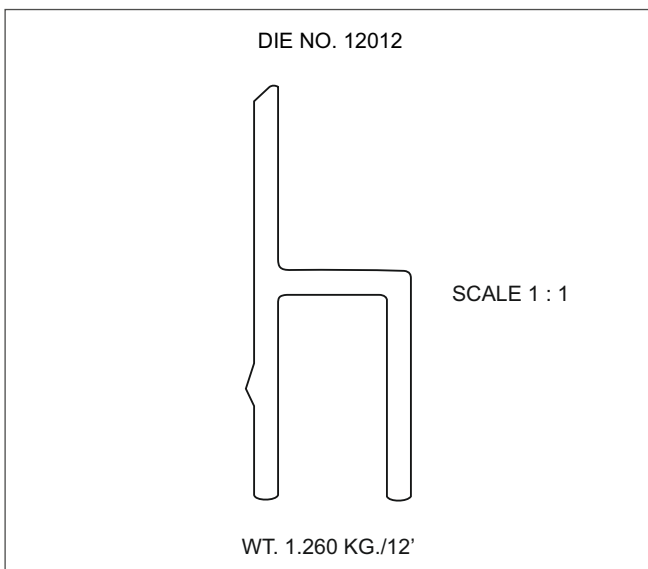
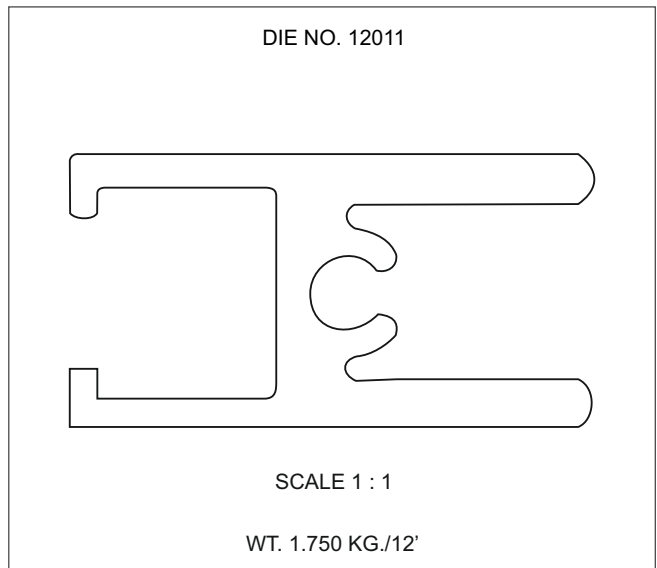
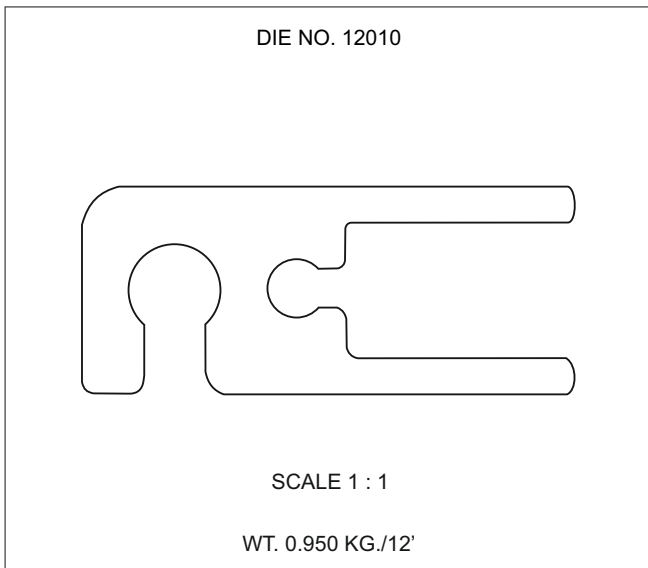
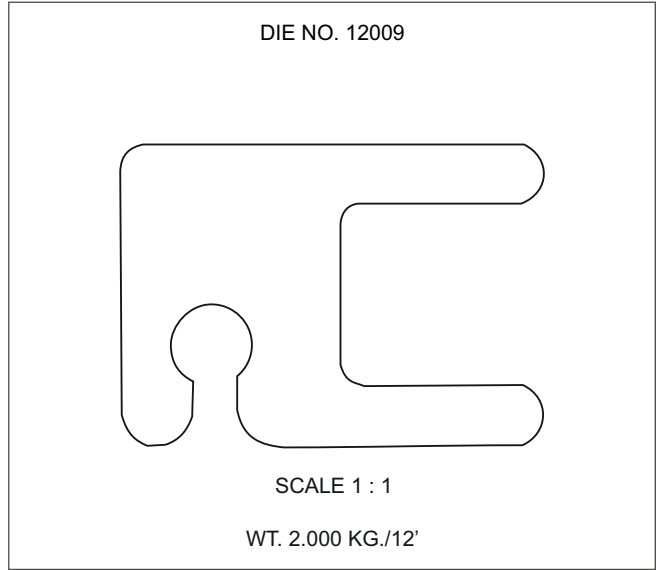
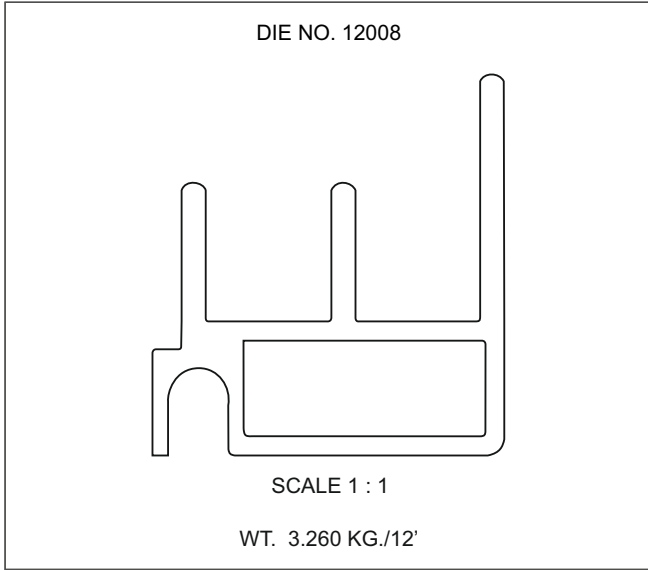


SELECTIONS NOT TO BE SCALED

ALL DIMENSIONS ARE IN MM

**ARCHITECTURAL**

**WINDOW SECTION**

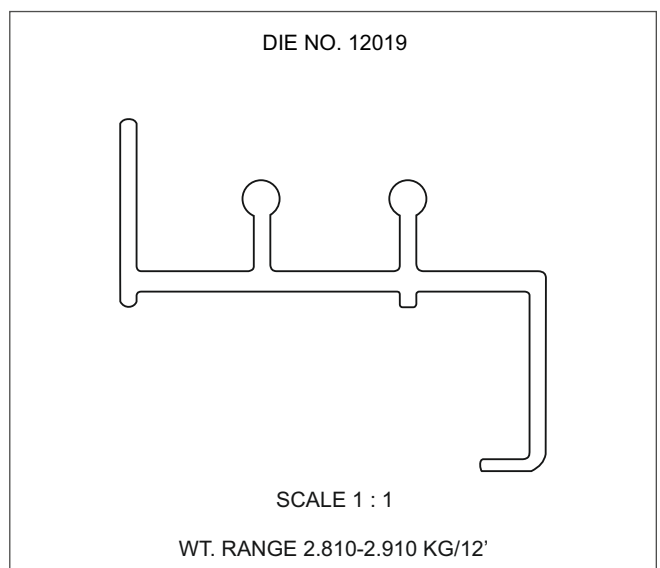
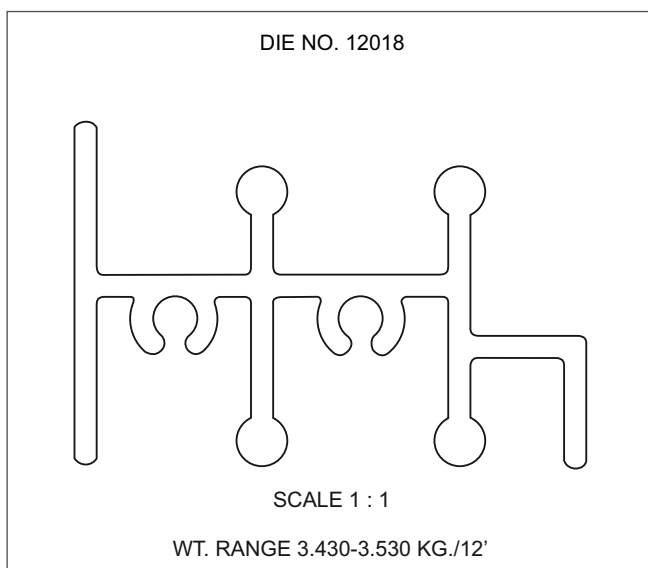
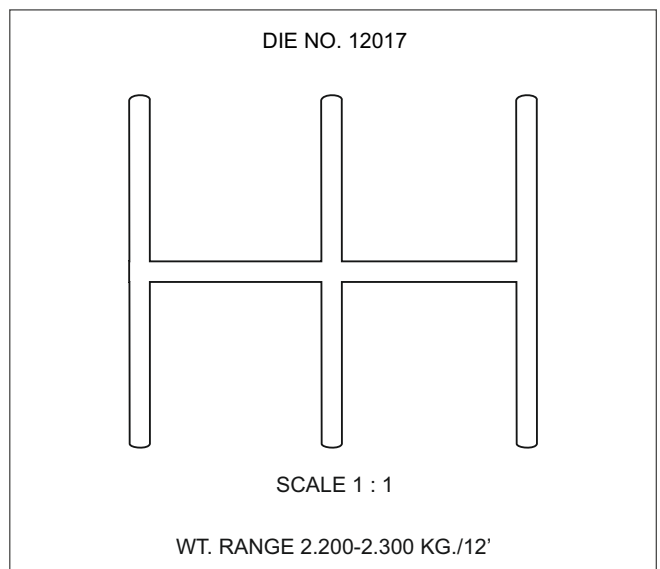
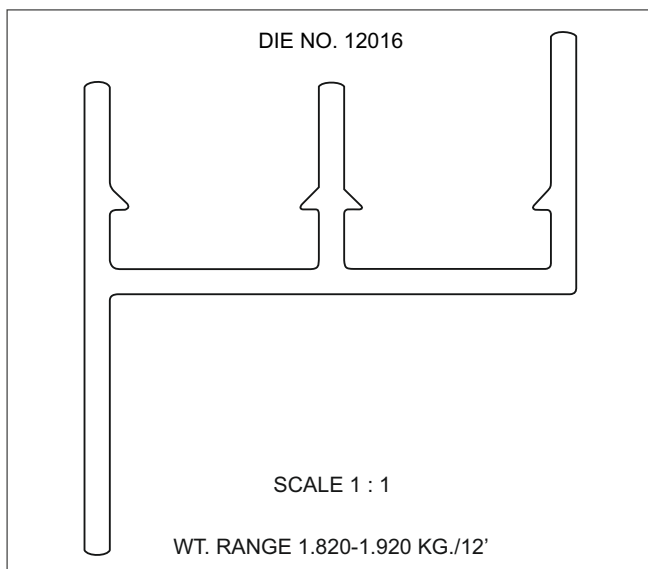
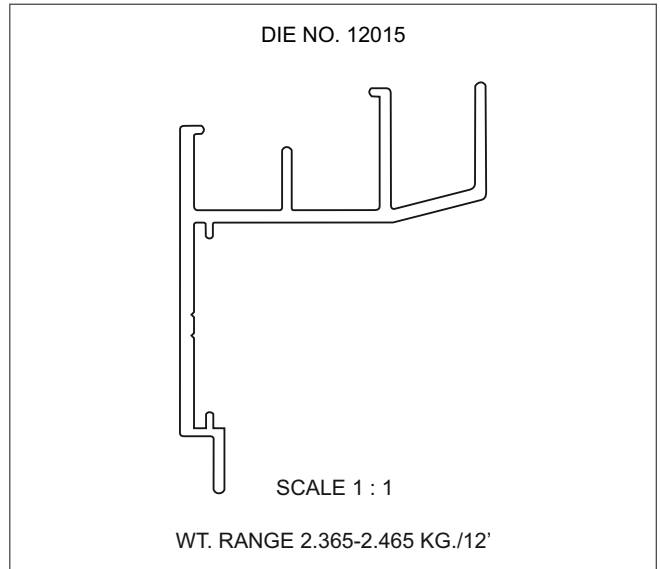
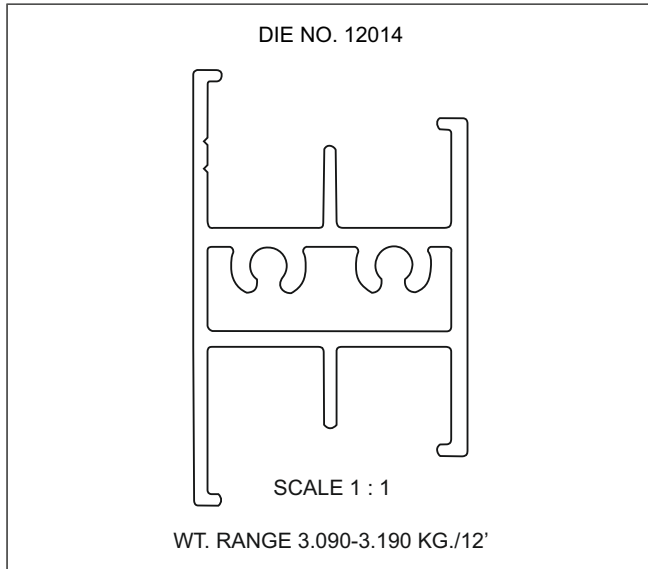


SELECTIONS NOT TO BE SCALED

ALL DIMENSIONS ARE IN MM

**ARCHITECTURAL**

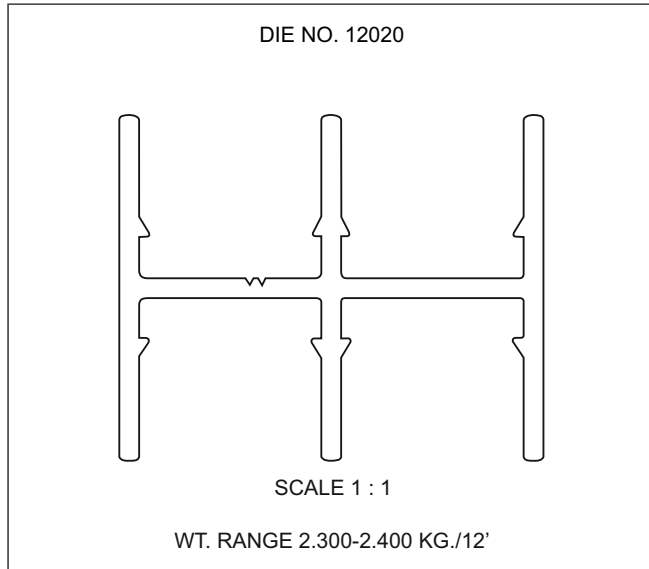
**WINDOW SECTION**



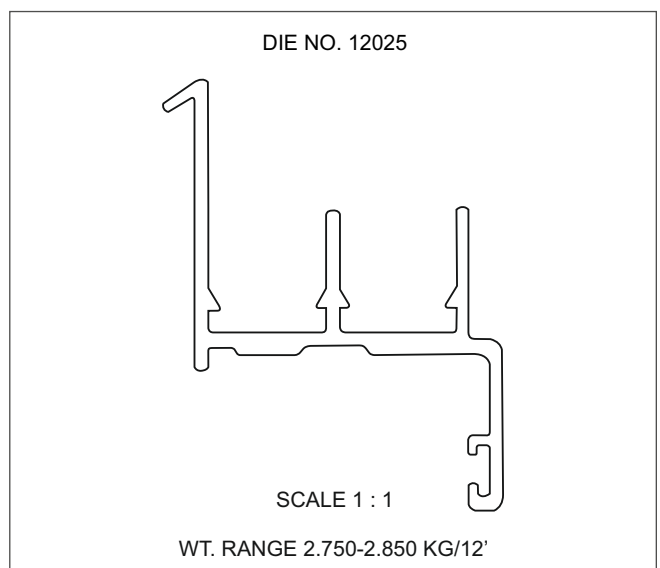
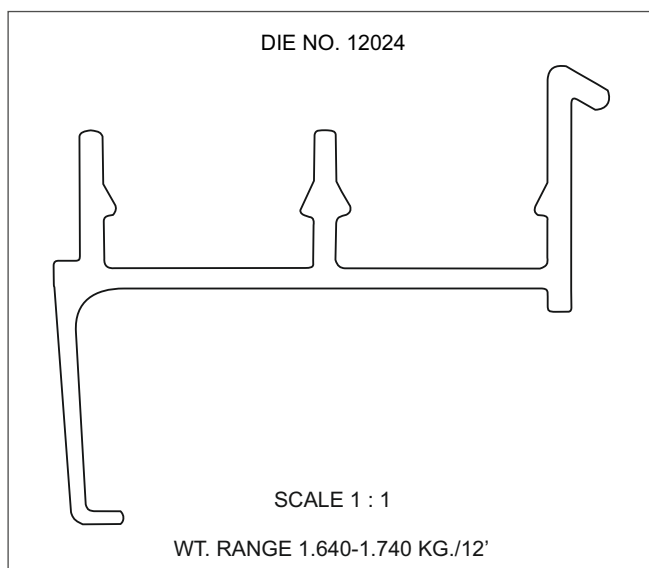
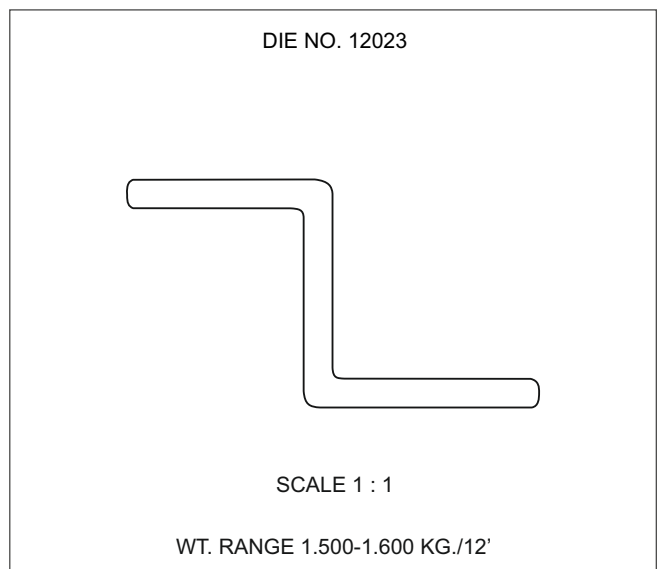
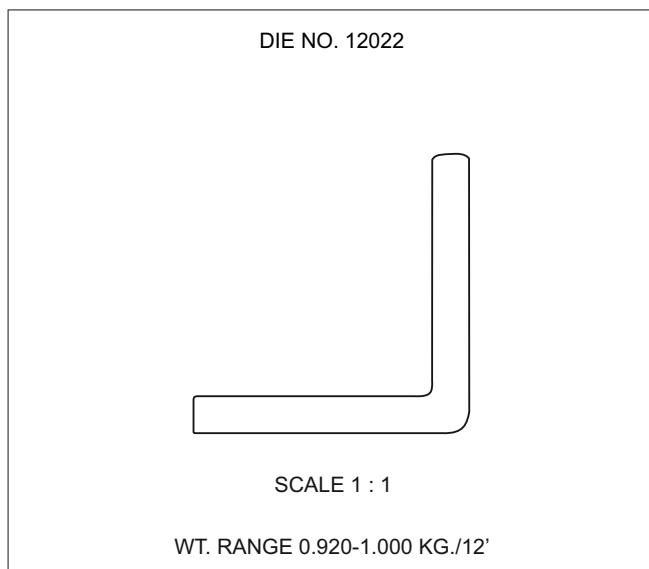
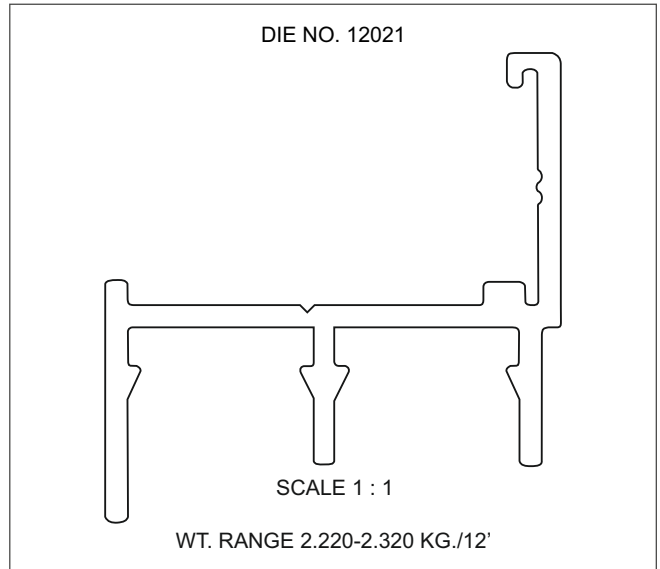
SELECTIONS NOT TO BE SCALED

ALL DIMENSIONS ARE IN MM

**ARCHITECTURAL**



**WINDOW SECTION**

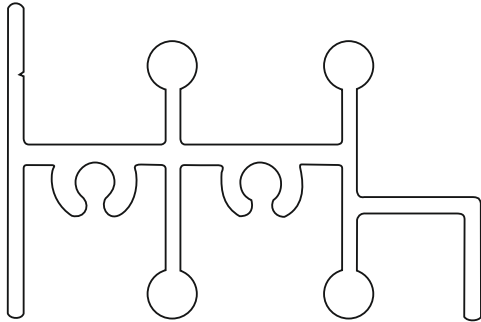


SELECTIONS NOT TO BE SCALED

ALL DIMENSIONS ARE IN MM

**ARCHITECTURAL**

DIE NO. 12026

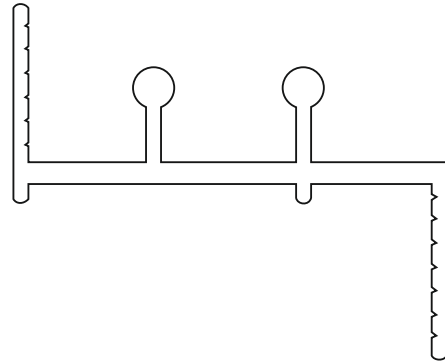


SCALE 1 : 1

WT. RANGE 3.100-3.200 KG./12'

**WINDOW SECTION**

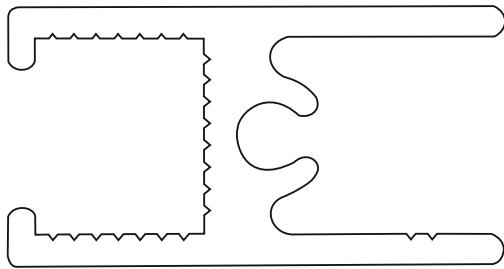
DIE NO. 12027



SCALE 1 : 1

WT. RANGE 2.550-2.650 KG./12'

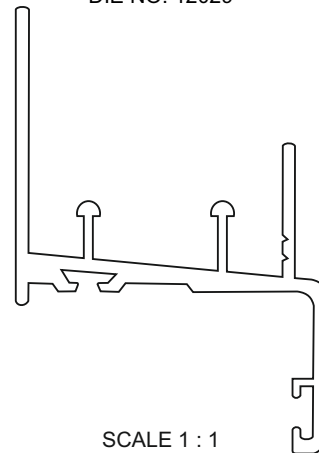
DIE NO. 12028



SCALE 1 : 1

WT. RANGE 1.500-1.700 KG./12'

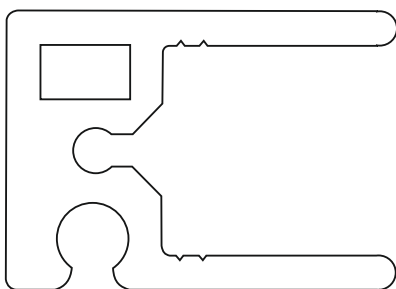
DIE NO. 12029



SCALE 1 : 1

WT. RANGE 2.700-3.000 KG./12'

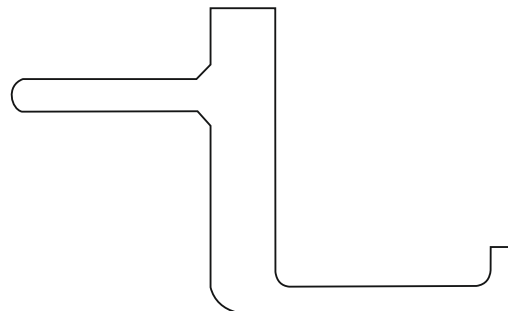
DIE NO. 12030



SCALE 1 : 1

WT. RANGE 1.250-1.450 KG./12'

DIE NO. 12031



SCALE 1 : 1

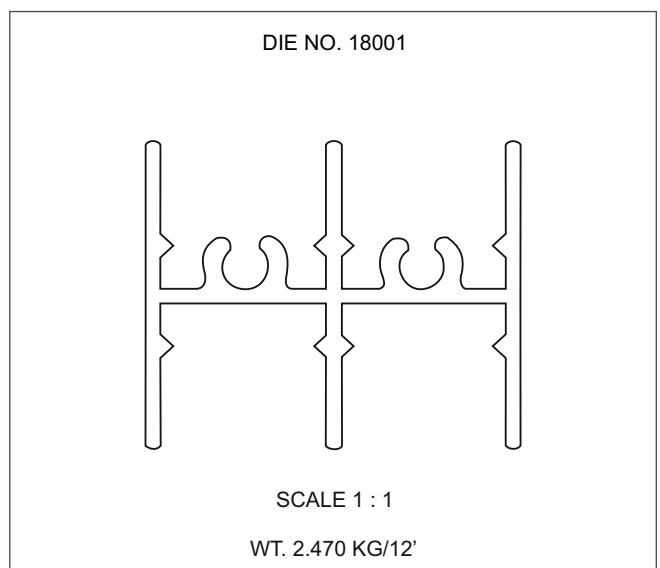
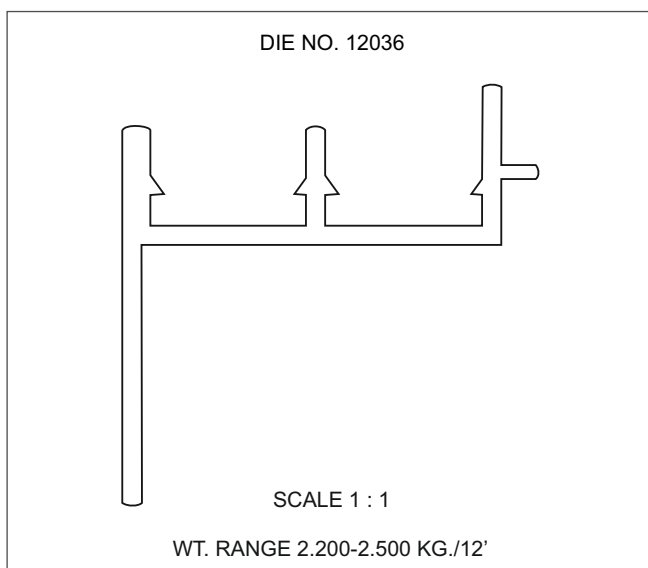
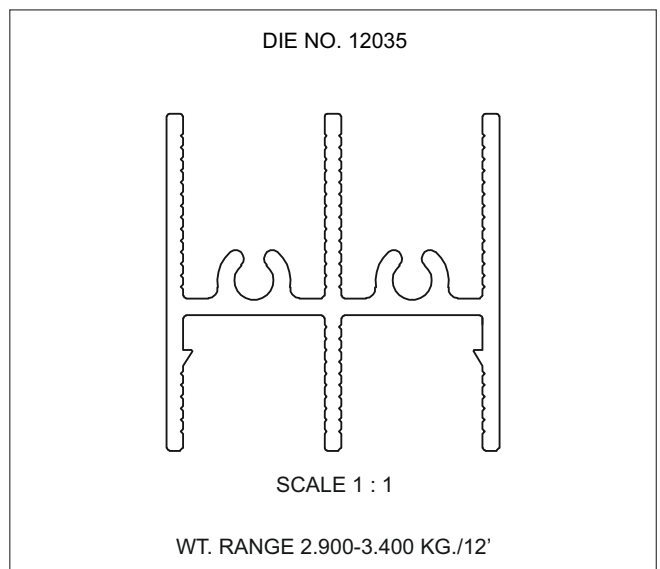
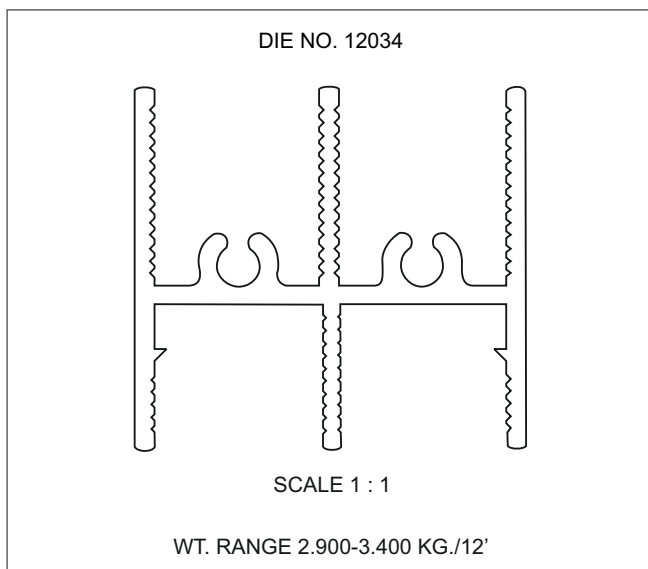
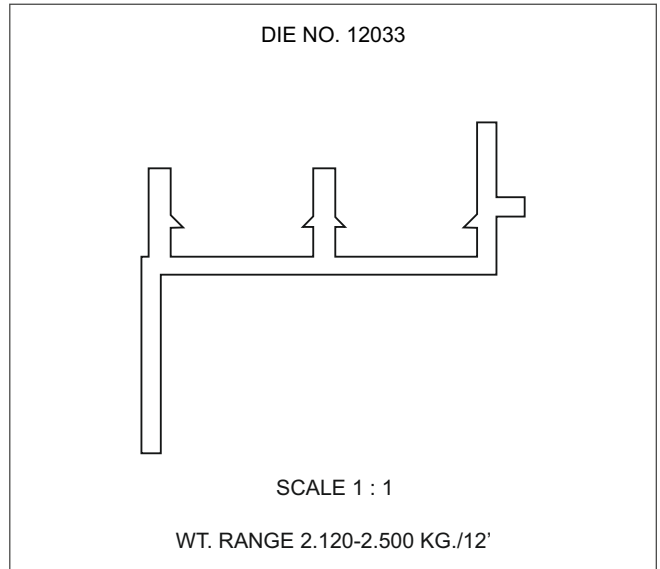
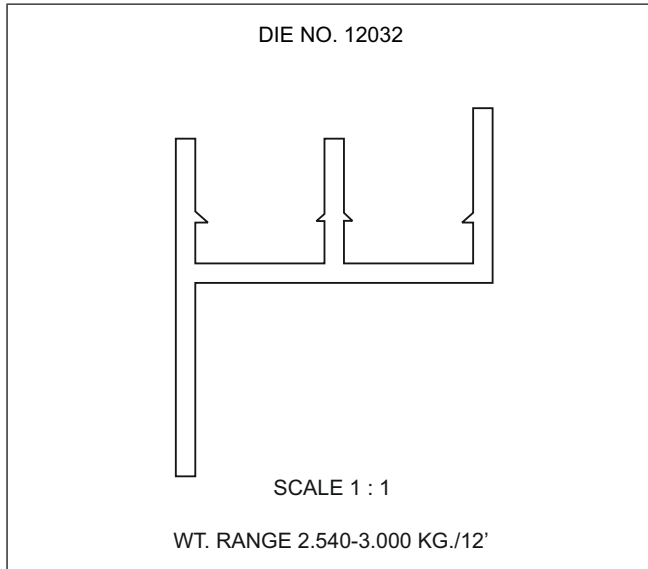
WT. RANGE 1.900-2.300 KG/12'

SELECTIONS NOT TO BE SCALED

ALL DIMENSIONS ARE IN MM

**ARCHITECTURAL**

**WINDOW SECTION**



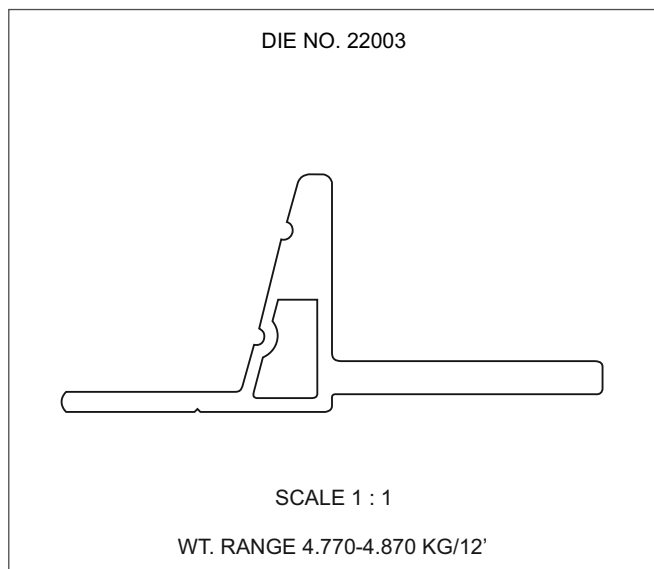
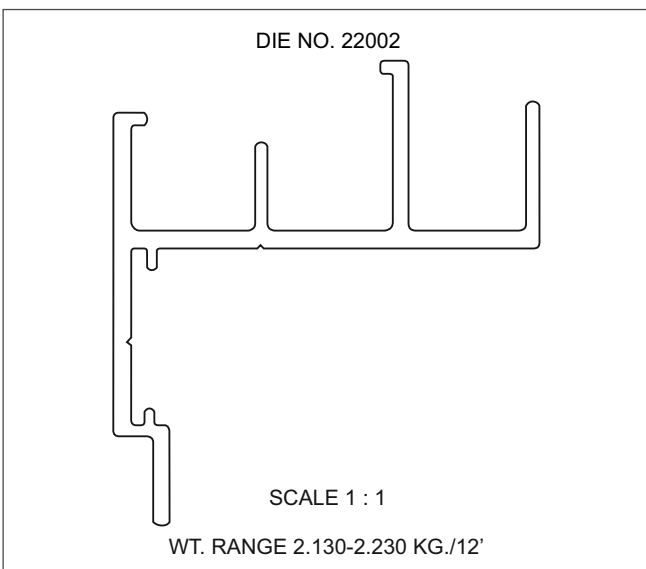
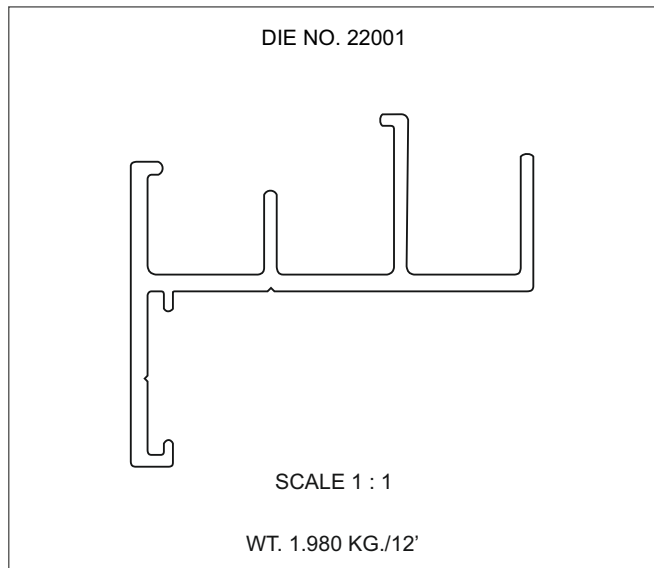
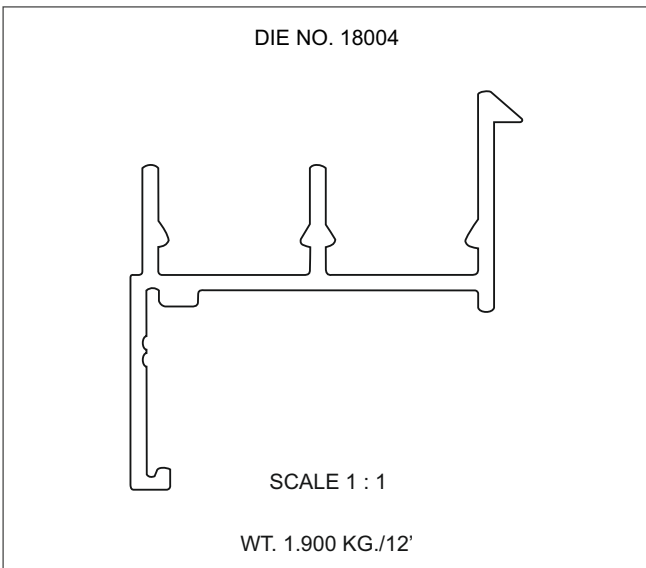
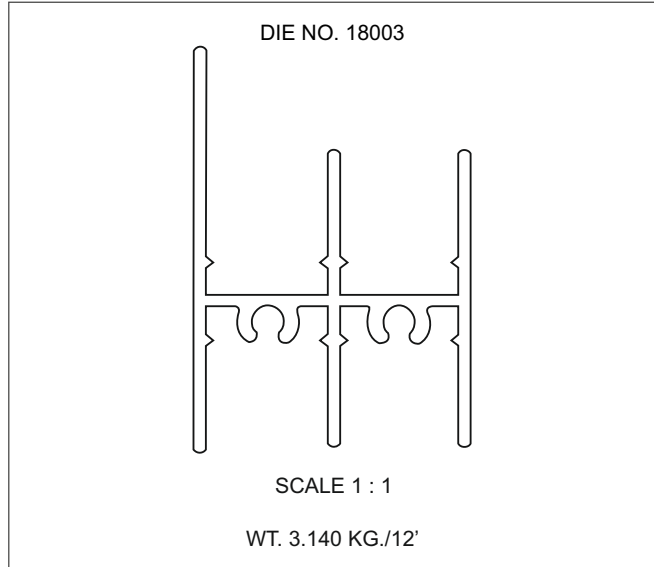
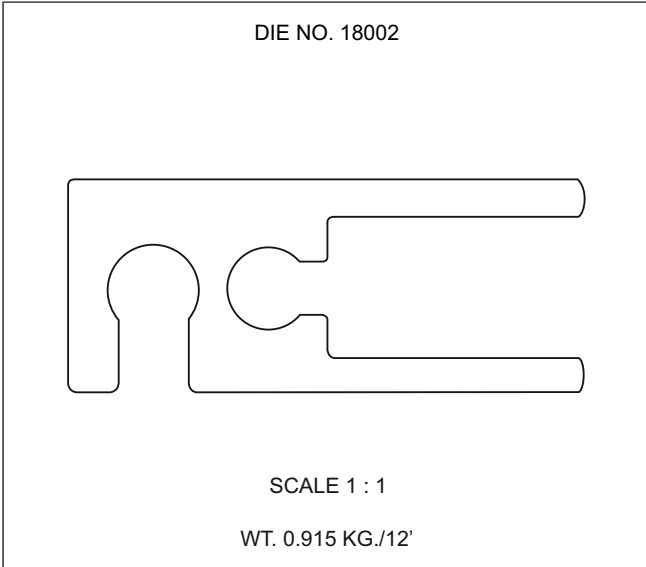
SELECTIONS NOT TO BE SCALED

ALL DIMENSIONS ARE IN MM



**ARCHITECTURAL**

**WINDOW SECTION**

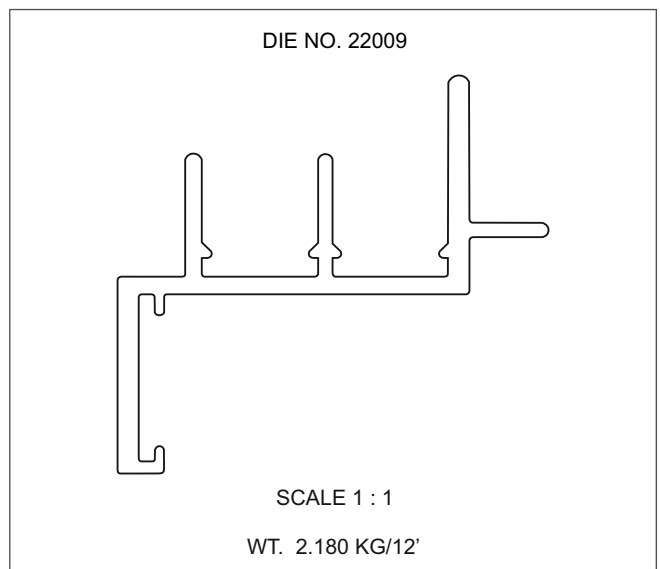
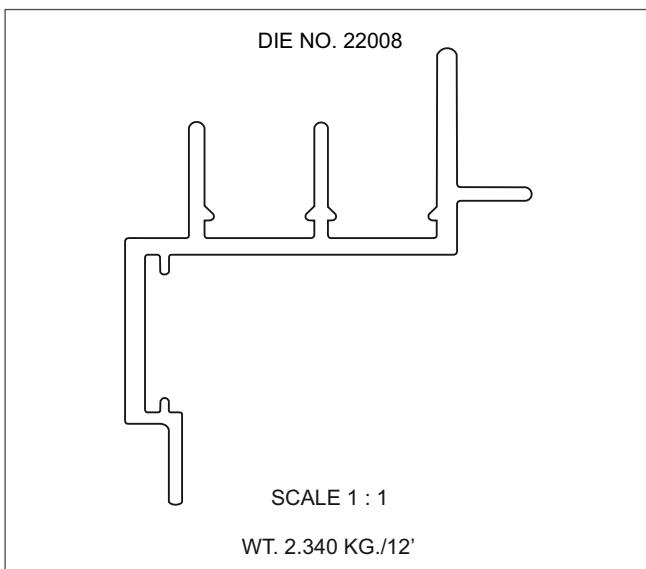
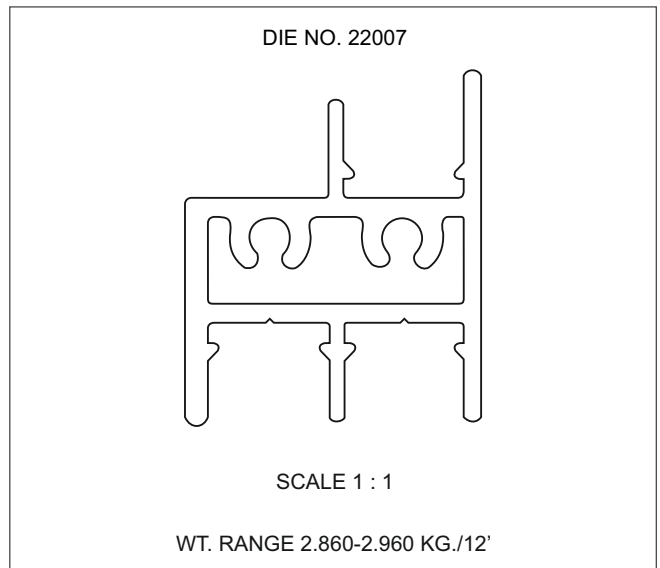
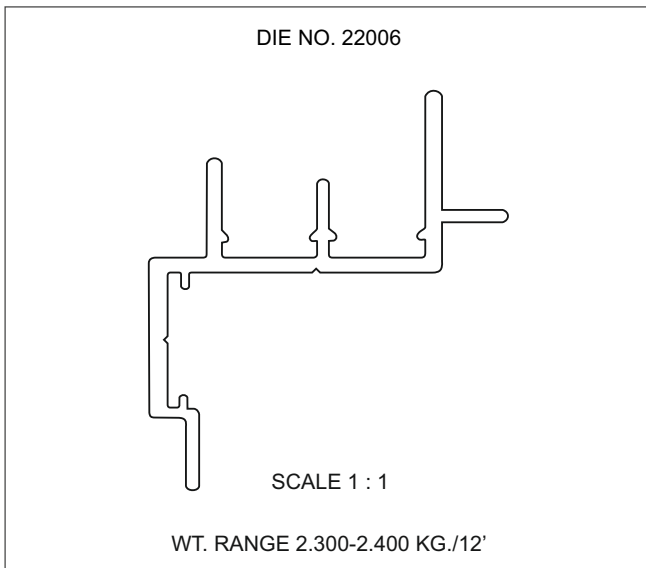
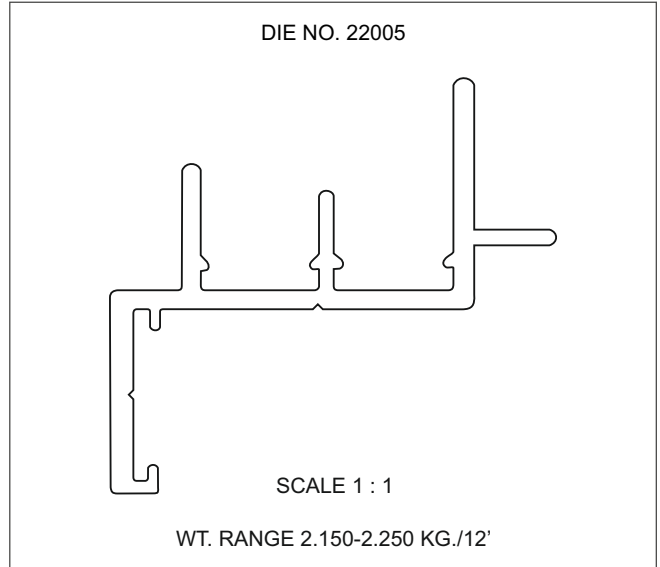
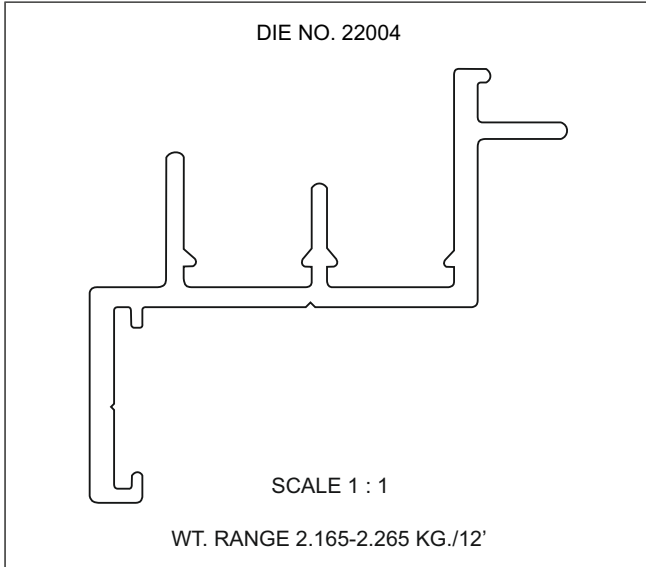


SELECTIONS NOT TO BE SCALED

ALL DIMENSIONS ARE IN MM

**ARCHITECTURAL**

**WINDOW SECTION**



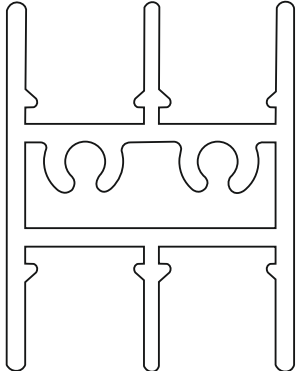
SELECTIONS NOT TO BE SCALED

ALL DIMENSIONS ARE IN MM

**ARCHITECTURAL**

**WINDOW SECTION**

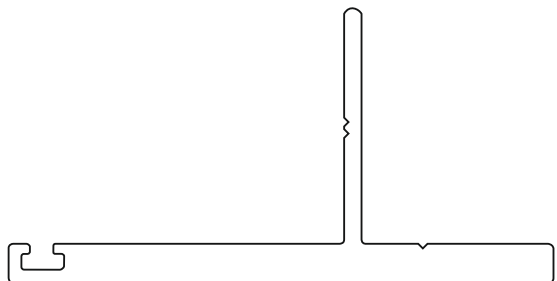
DIE NO. 22010



SCALE 1 : 1

WT. 3.320 KG./12'

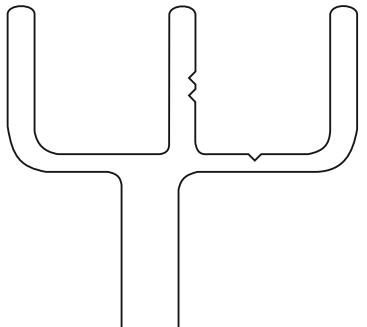
DIE NO. 22011



SCALE 1 : 1

WT. RANGE 4.790-4.890 KG./12'

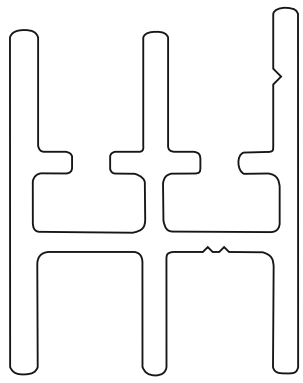
DIE NO. 22012



SCALE 1 : 1

WT. RANGE 2.745-2.845 KG./12'

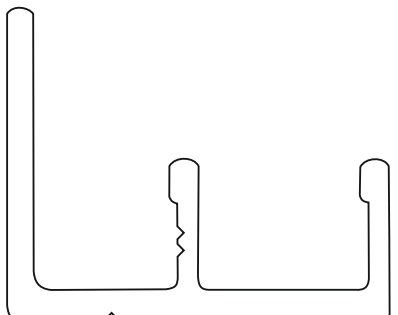
DIE NO. 22013



SCALE 1 : 1

WT. RANGE 4.415-4.515 KG./12'

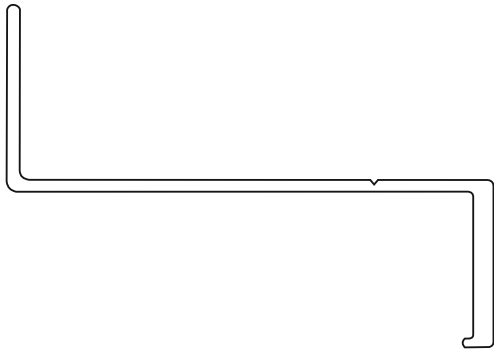
DIE NO. 22014



SCALE 1 : 1

WT. RANGE 2.300-2.400 KG./12'

DIE NO. 22015



SCALE 1 : 1

WT. RANGE 4.420-4.520 KG./12'

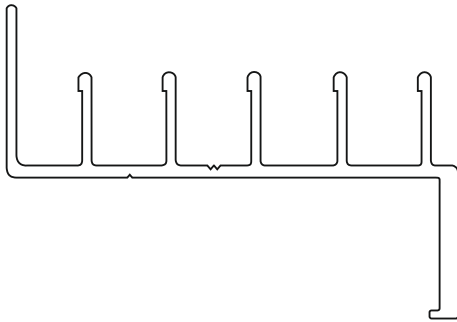
SELECTIONS NOT TO BE SCALED

ALL DIMENSIONS ARE IN MM

**ARCHITECTURAL**

**WINDOW SECTION**

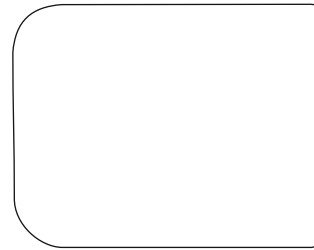
DIE NO. 22016



SCALE 1 : 1

WT. RANGE 6.675-6.775 KG./12'

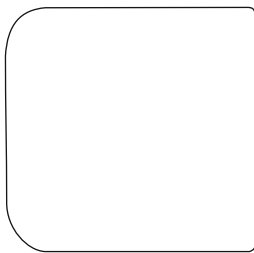
DIE NO. 22017



SCALE 1 : 1

WT. RANGE 4.870-4.970 KG./12'

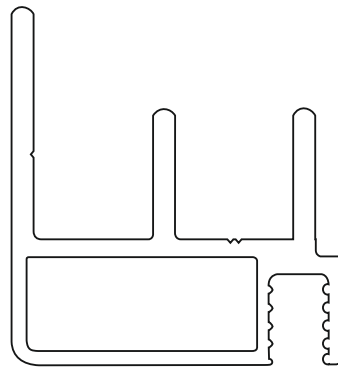
DIE NO. 22018



SCALE 1 : 1

WT. RANGE 6.100-6.200 KG./12'

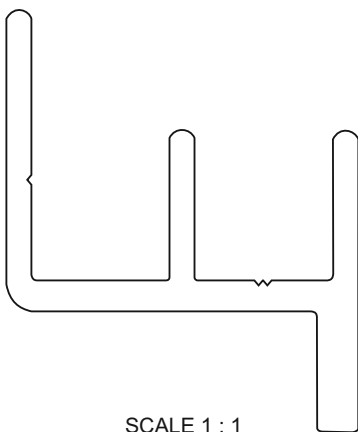
DIE NO. 22019



SCALE 1 : 1

WT. RANGE 3.100-3.200 KG./12'

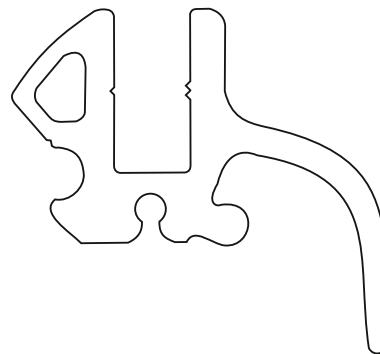
DIE NO. 22020



SCALE 1 : 1

WT. RANGE 2.780-2.880 KG./12'

DIE NO. 22021



SCALE 1 : 1

WT. RANGE 2.360-2.460 KG./12'


SELECTIONS NOT TO BE SCALED

ALL DIMENSIONS ARE IN MM

**ARCHITECTURAL**

**WINDOW SECTION**

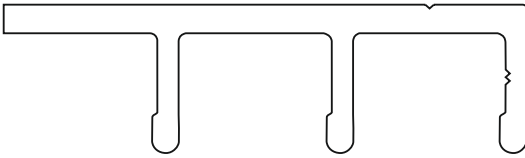
DIE NO. 22022



SCALE 1 : 1

WT. RANGE 8.000-8.100 KG./12'

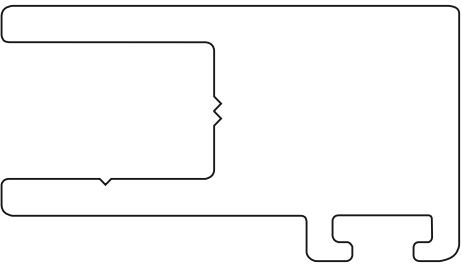
DIE NO. 22023



SCALE 1 : 1

WT. RANGE 2.500-2.600 KG./12'

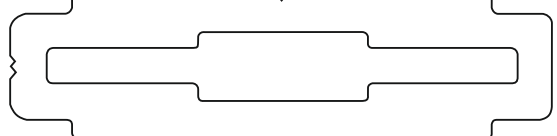
DIE NO. 22024



SCALE 1 : 1

WT. RANGE 2.100-2.200 KG./12'

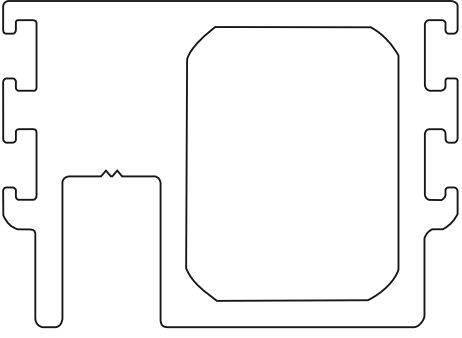
DIE NO. 22025



SCALE 1 : 1

WT. RANGE 1.500-1.650 KG./12'

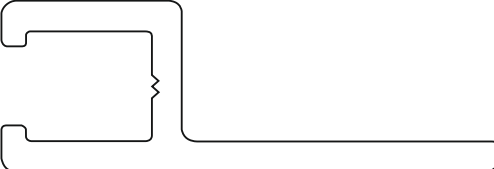
DIE NO. 22026



SCALE 1 : 1

WT. RANGE 3.600-3.700 KG./12'

DIE NO. 22027



SCALE 1 : 1

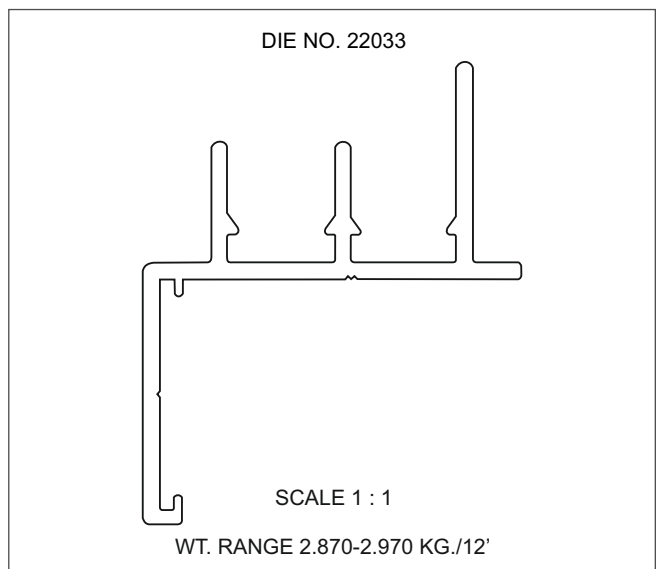
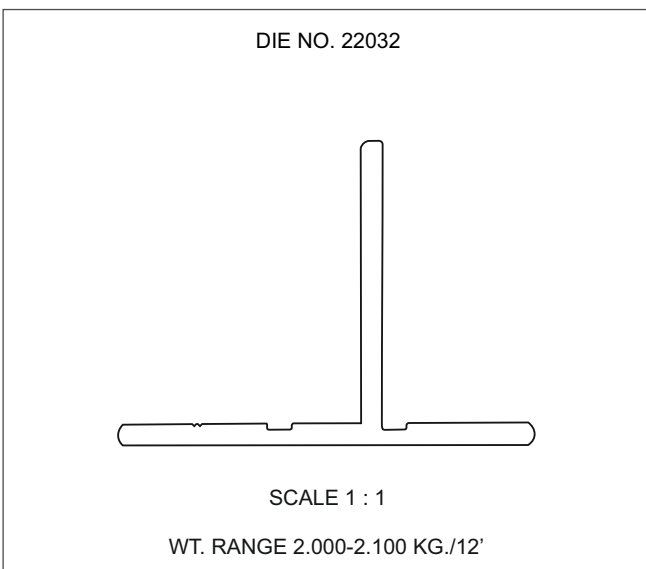
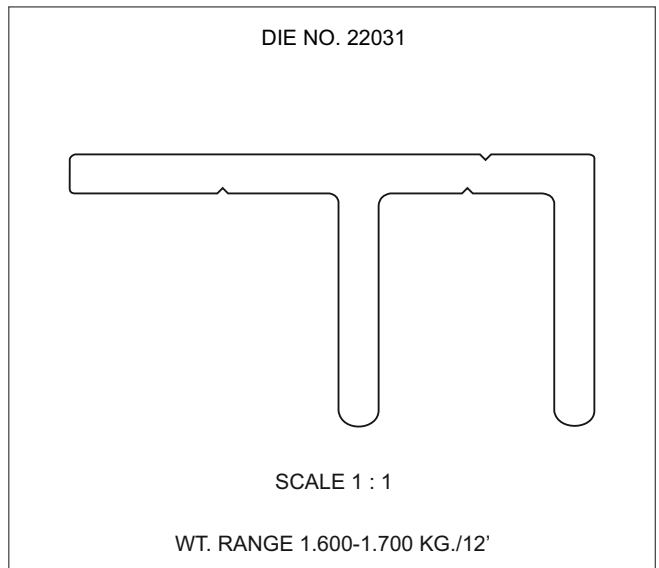
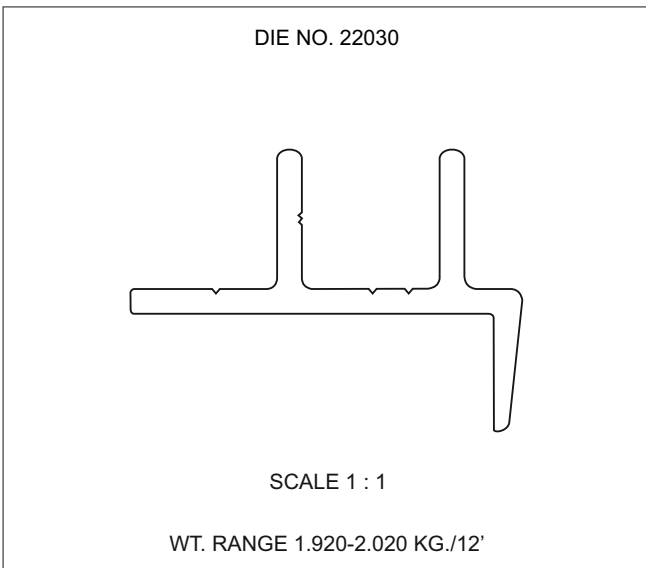
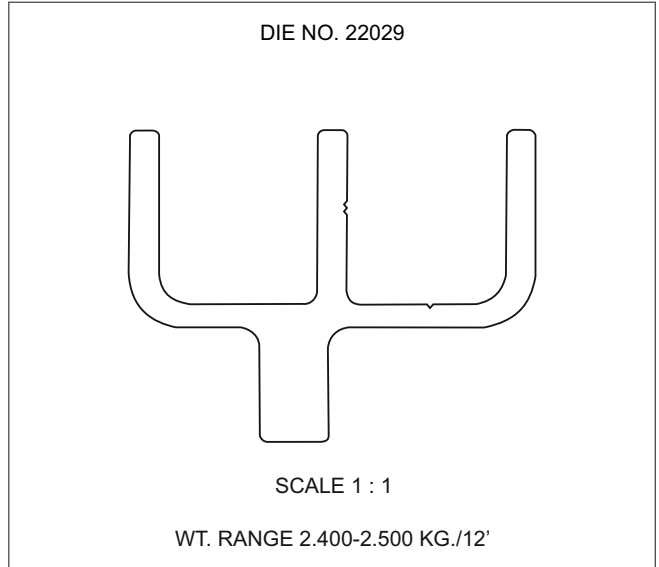
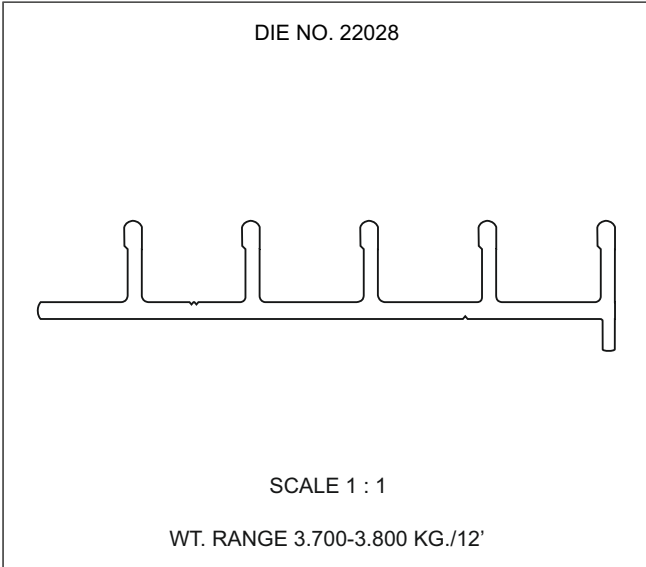
WT. RANGE 1.100-1.200 KG./12'

SELECTIONS NOT TO BE SCALED

ALL DIMENSIONS ARE IN MM

**ARCHITECTURAL**

**WINDOW SECTION**

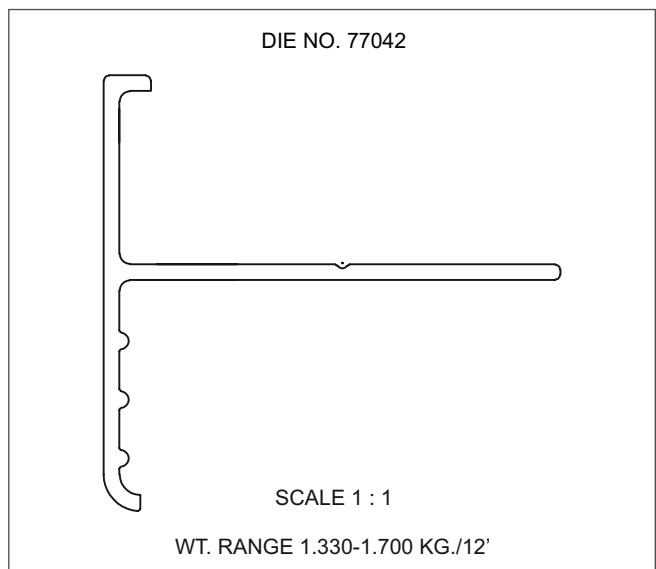
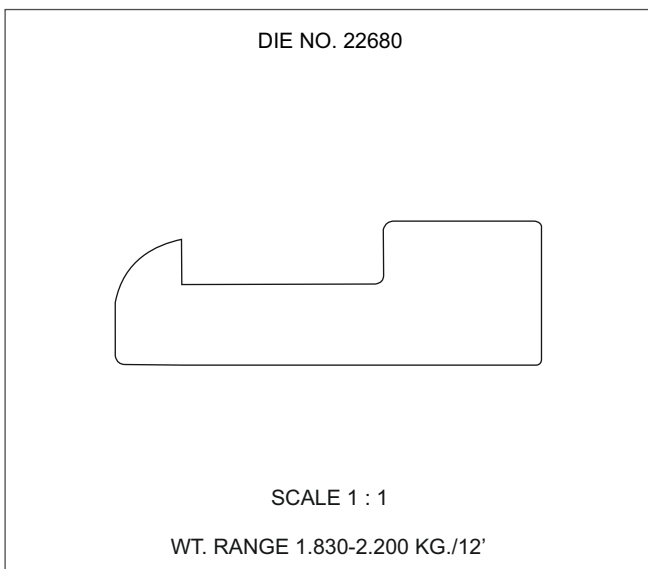
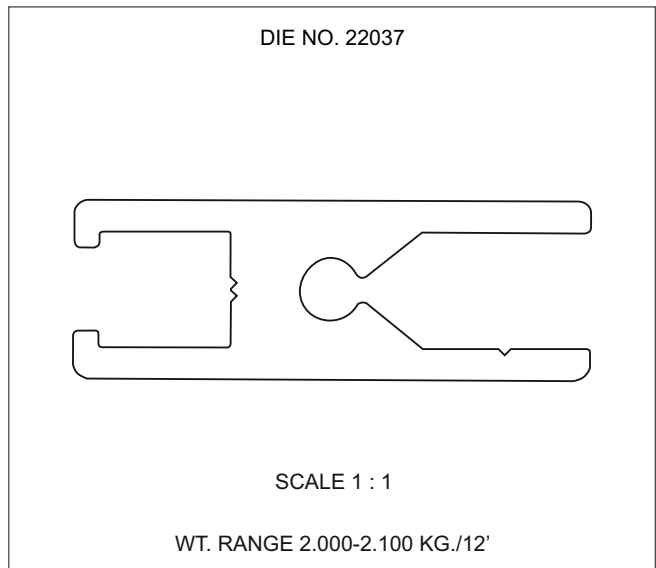
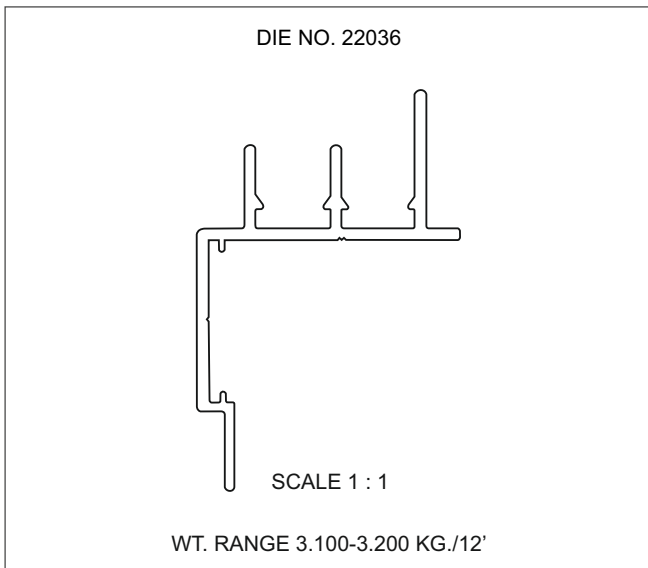
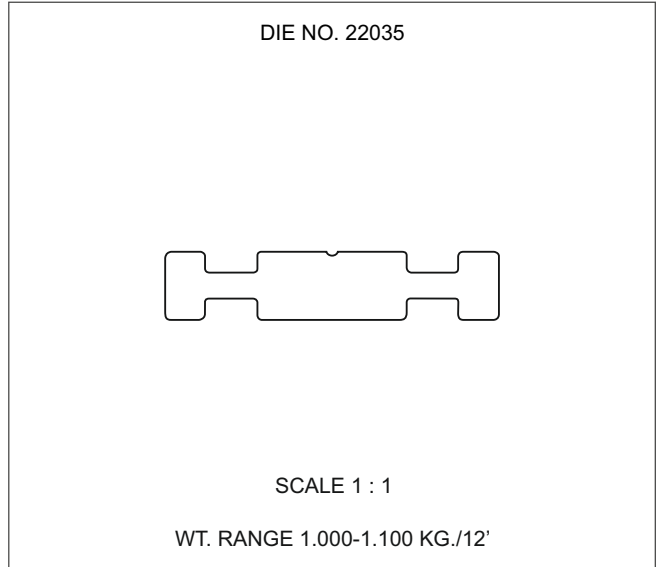
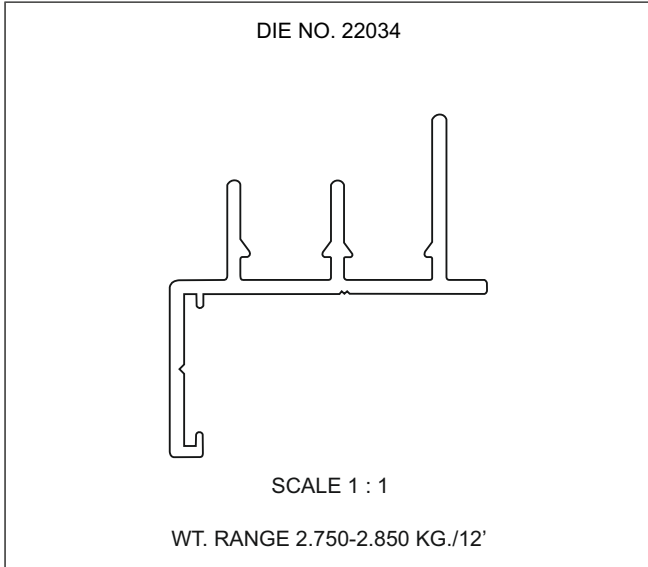


SELECTIONS NOT TO BE SCALED

ALL DIMENSIONS ARE IN MM

**ARCHITECTURAL**

**WINDOW SECTION**



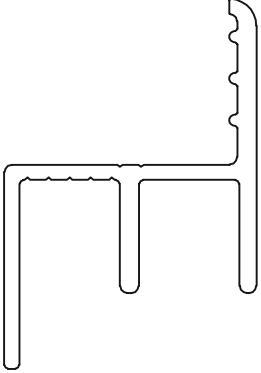
SELECTIONS NOT TO BE SCALED

ALL DIMENSIONS ARE IN MM

**ARCHITECTURAL**

**WINDOW SECTION**

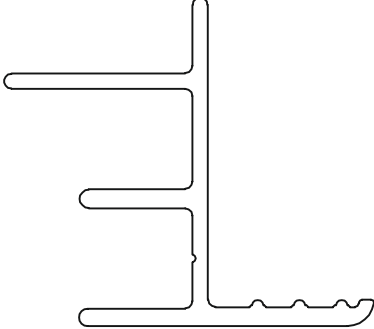
DIE NO. 77044



SCALE 1 : 1

WT. RANGE 2.430-2.900 KG./12'

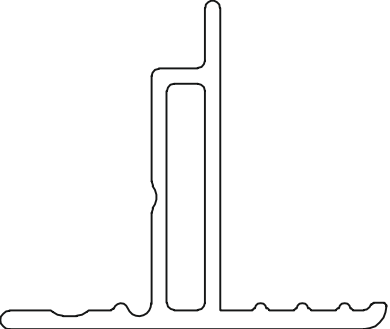
DIE NO. 77075



SCALE 1 : 1

WT. RANGE 2.630-3.100 KG./12'

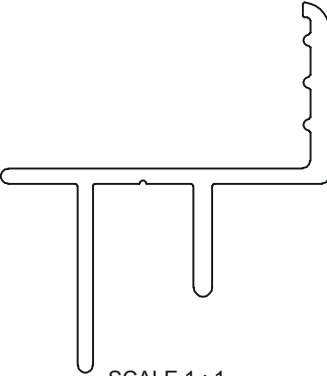
DIE NO. 77076



SCALE 1 : 1

WT. RANGE 2.700-3.000 KG./12'

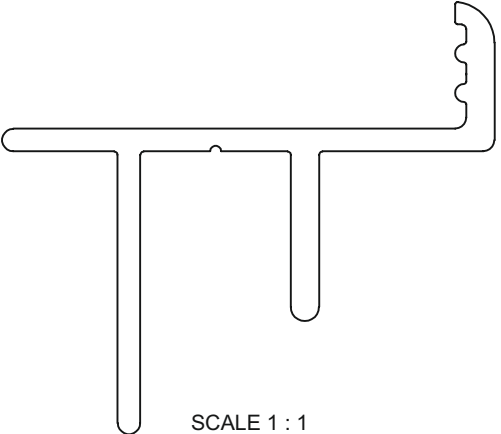
DIE NO. 77093



SCALE 1 : 1

WT. RANGE 2.300-2.700 KG./12'

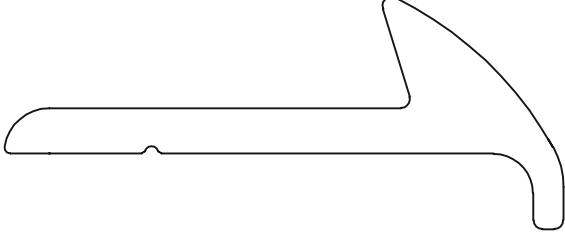
DIE NO. 77094



SCALE 1 : 1

WT. RANGE 2.000-2.400 KG./12'

DIE NO. 77710



SCALE 1 : 1

WT. RANGE 0.380-0.430 KG./12'

SELECTIONS NOT TO BE SCALED

ALL DIMENSIONS ARE IN MM



**ARCHITECTURAL**

DIE NO. 77791

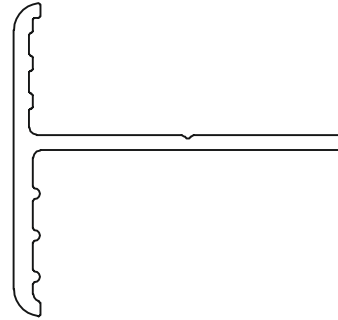
This file is corrupt

SCALE 1 : 1

WT. RANGE 2.430-2.900 KG./12'

**WINDOW SECTION**

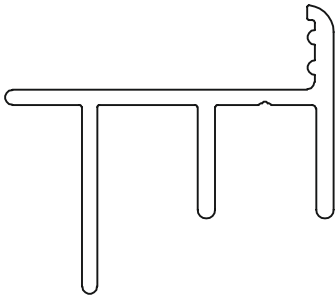
DIE NO. 77792



SCALE 1 : 1

WT. RANGE 1.820-2.300 KG./12'

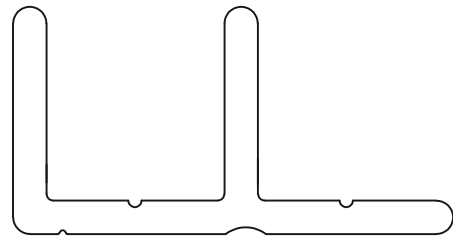
DIE NO. 77857



SCALE 1 : 1

WT. RANGE 2.320-2.700 KG./12'

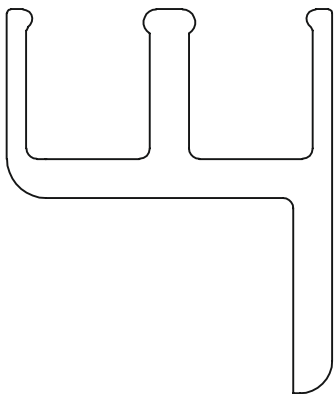
DIE NO. 77859



SCALE 1 : 1

WT. RANGE 1.470-1.800 KG./12'

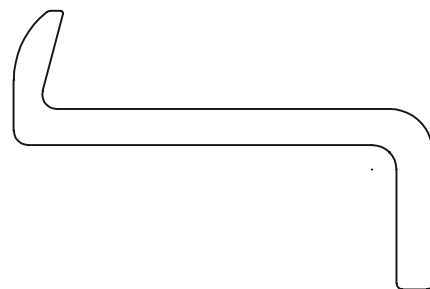
DIE NO. 77861



SCALE 1 : 1

WT. RANGE 1.870-2.300 KG./12'

DIE NO. 77862



SCALE 1 : 1

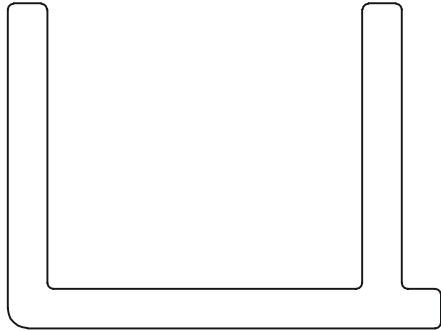
WT. RANGE 1.090-1.400 KG./12'

SELECTIONS NOT TO BE SCALED

ALL DIMENSIONS ARE IN MM

**ARCHITECTURAL**

DIE NO. 77863

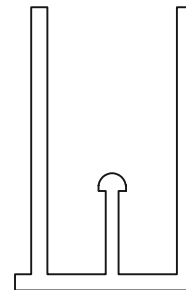


SCALE 1 : 1

WT. RANGE 1.000-1.300 KG./12'

**WINDOW SECTION**

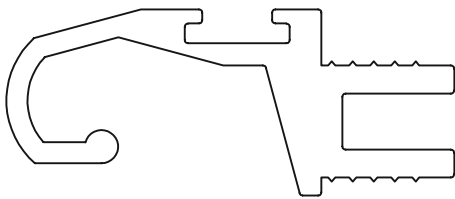
DIE NO. 77864



SCALE 1 : 1

WT. RANGE 1.970-2.400 KG./12'

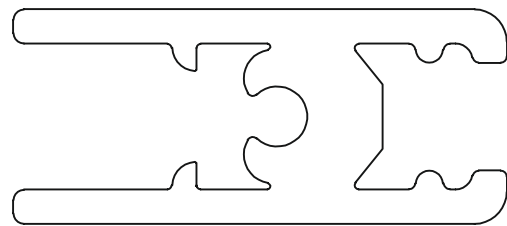
DIE NO. 77865



SCALE 1 : 1

WT. RANGE 1.345-1.740 KG./12'

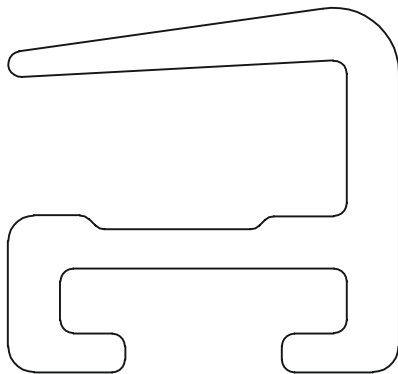
DIE NO. 77866



SCALE 1 : 1

WT. RANGE 1.100-1.400 KG./12'

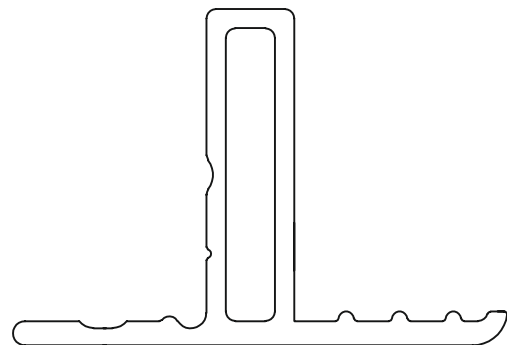
DIE NO. 77867



SCALE 1 : 1

WT. RANGE 0.830-1.100 KG./12'

DIE NO. 77885



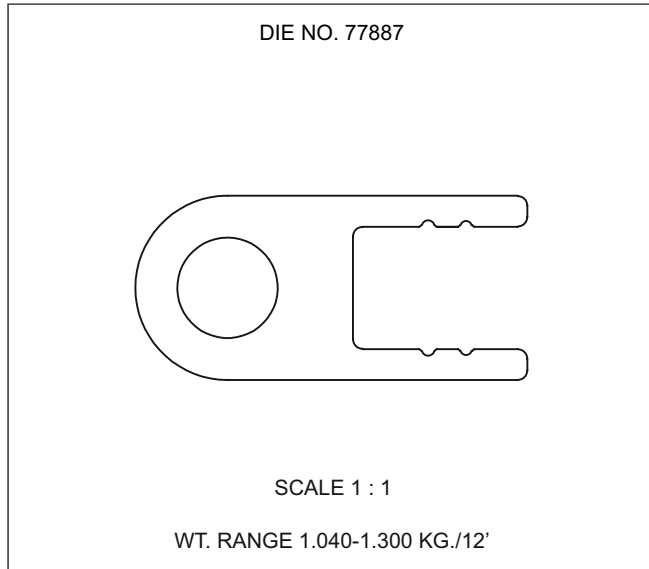
SCALE 1 : 1

WT. RANGE 2.620-3.000 KG./12'

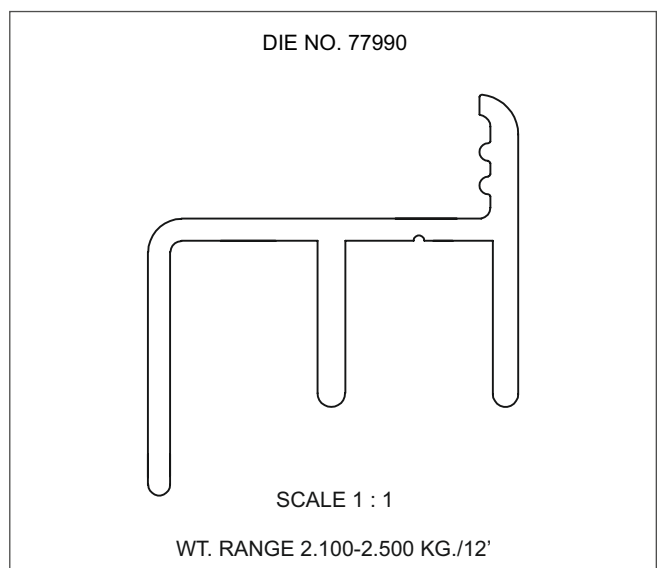
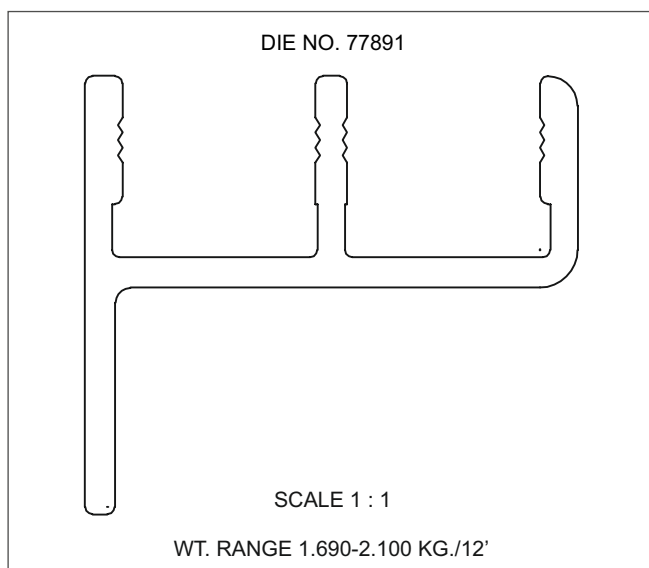
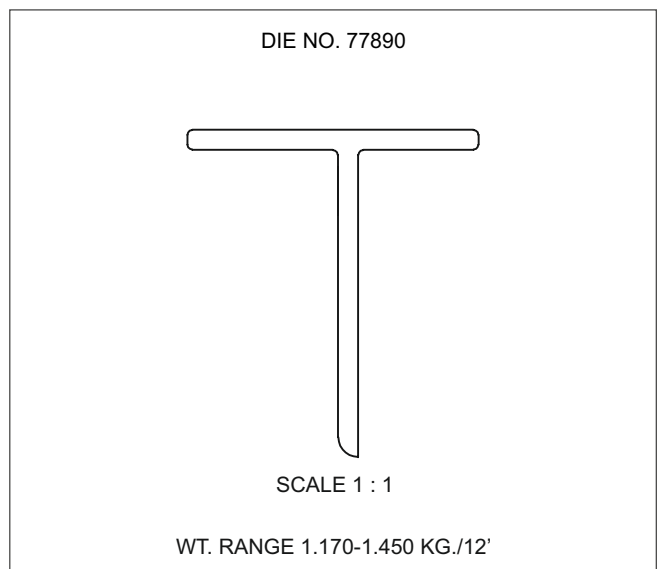
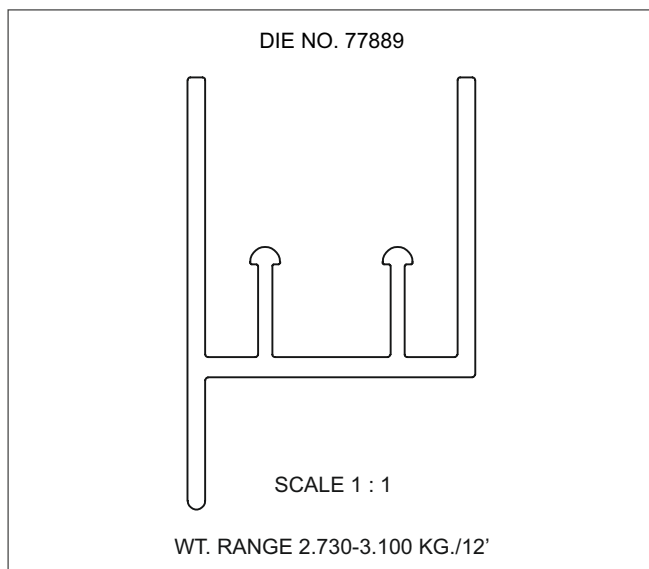
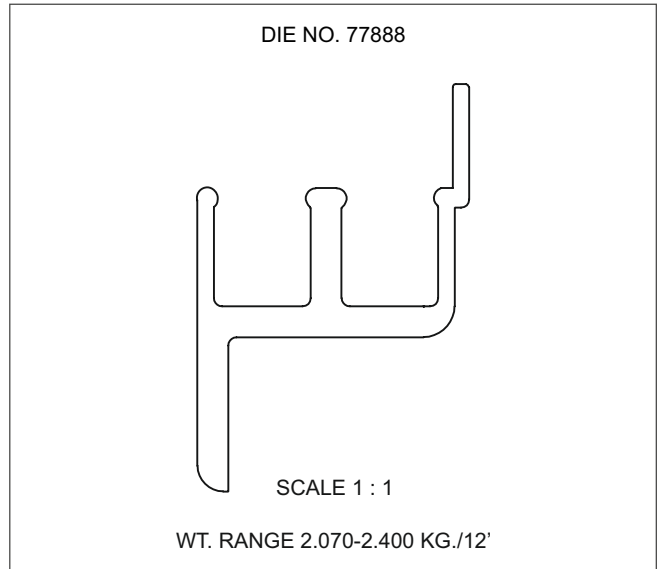
SELECTIONS NOT TO BE SCALED

ALL DIMENSIONS ARE IN MM

**ARCHITECTURAL**



**WINDOW SECTION**

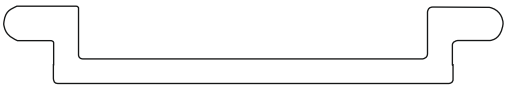


SELECTIONS NOT TO BE SCALED

ALL DIMENSIONS ARE IN MM

**ARCHITECTURAL**

DIE NO. 912004




SCALE 1 : 1

WT. RANGE 0.540-0.600 KG./12'

**WINDOW SECTION**

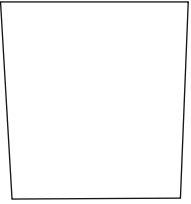
DIE NO. SLW MM30



SCALE 1 : 1

WT. RANGE x.xxx-x.xxx KG./12'

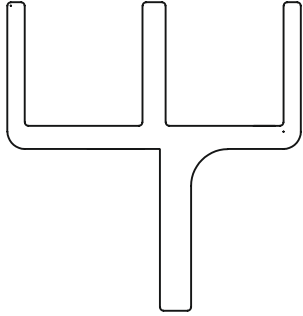
DIE NO. SLW MM31



SCALE 1 : 1

WT. RANGE x.xxx-x.xxx KG./12'

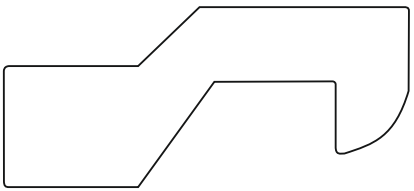
DIE NO. SWF 01



SCALE 1 : 1

WT. RANGE 1.420-1.800 KG./12'

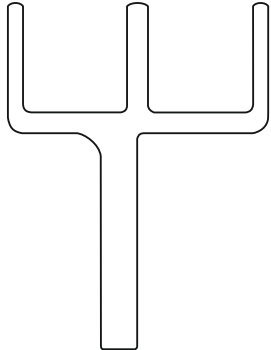
DIE NO. VB 03



SCALE 1 : 1

WT. RANGE 1.880-2.300 KG./12'

DIE NO. VB 04



SCALE 1 : 1

WT. RANGE 1.780-2.150 KG./12'

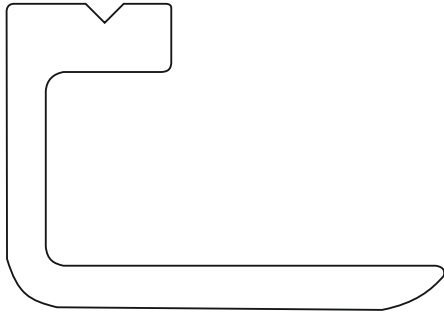
SELECTIONS NOT TO BE SCALED

ALL DIMENSIONS ARE IN MM

**ARCHITECTURAL**

**WINDOW SECTION**

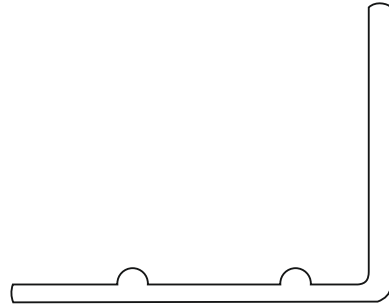
DIE NO. W 501



SCALE 1 : 1

WT. RANGE 1.270-1.600 KG./12'

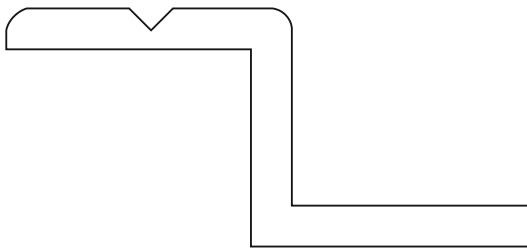
DIE NO. W 502



SCALE 1 : 1

WT. RANGE 2.100-2.400 KG./12'

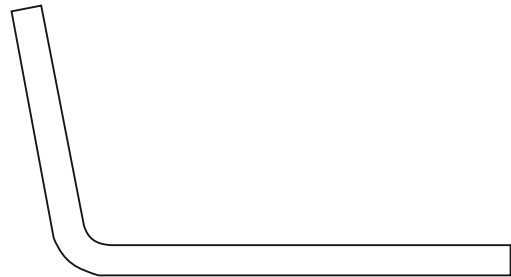
DIE NO. W 503



SCALE 1 : 1

WT. RANGE 0.410-0.500 KG./12'

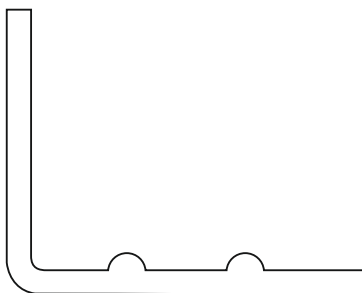
DIE NO. W 504



SCALE 1 : 1

WT. RANGE 2.050-2.400 KG./12'

DIE NO. VB 03



SCALE 1 : 1

WT. RANGE 1.870-2.100 KG./12'

DIE NO. XXX

SCALE 1 : 1

WT. RANGE x.xxx-x.xxx KG./12'

SELECTIONS NOT TO BE SCALED

ALL DIMENSIONS ARE IN MM