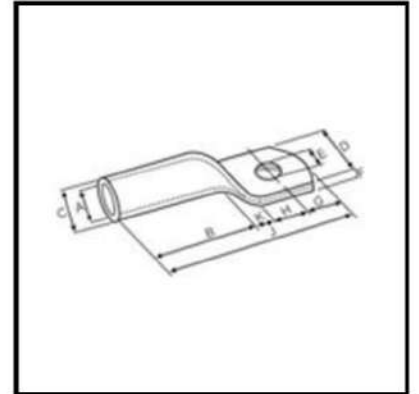




www.swastiklugs.in
spsslugs@yahoo.in

SWASTIK ALUMINIUM TUBE TERMINALS LONG BARREL



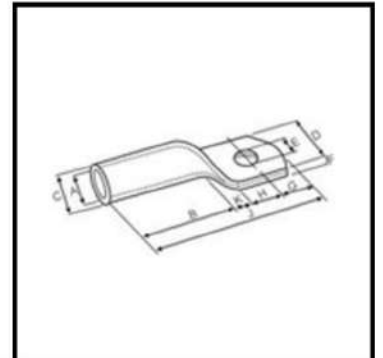
MM ²	E Bolt MMø	DIMENSIONS (MM)								Swastik Cat No.
		A	C	D	F	B	K	G + H	J	
2.5	M3	2.0	5.5	7.0	3.5	11	3	8	21.5	SAS-551
	M3.5	2.6			2.9					SAS-509
4	M4	2.9	5.5	7.0	2.6	11	3	8	21.5	SAS-555
	M5			12.0	1.2		4	13	27.5	SAS-517
6	M5	3.5	5.5	8.0	2.0	11	4	13	27.5	SAS-558
	M6			12.0	1.1					SAS-513
10	M6	4.4	7.4	10.0	2.8	14	4	17	34.5	SAS-514
	M8			15.5	1.8					SAS-515
16	M6	5.4	8.3	11.0	2.9	20	4	20	43.5	SAS-552
	M8			11.0	2.9					SAS-516
	M10			18.0	1.8					SAS-517
25	M8	7.0	10.0	14.0	3.0	24	7	21	52	SAS-518
	M10			20.0	1.7					SAS-519
	M12			20.0	1.7					SAS-520
35	M8	8.0	10.8	15.0	2.8	27	7	22	56	SAS-521
	M10			20.0	2.1					SAS-522
50	M6	9.3	13.0	18.0	3.7	33	8	24	65	SAS-665
	M8			23.0	2.8					SAS-512
	M10			23.0						SAS-524

Tolerance = ± 5%



www.swastiklugs.in
spsslugs@yahoo.in

SWASTIK ALUMINIUM TUBE TERMINALS LONG BARREL



DIMENSIONS (MM)										
70	M8 M10 M12	11.6	16.0	22.0	4.4	39	8	26	73	SAS-556 SAS-525 SAS-526
95	M10 M12 M16	12.9	17.1	25.0	4.2	42	8	28	78	SAS-527 SAS-528 SAS-529
120	M10 M12 M16	14.8	19.6	28.0	4.8	48	11	30	89	SAS-557 SAS-530 SAS-531
150	M10 M12 M16	16.1	21.2	31.0	5.1	51	11	34	96	SAS-658 SAS-533 SAS-532
185	M10 M12 M16	18.0	23.7	34.0	5.7	54	12	36	102	SAS-511 SAS-534 SAS-535
225	M12	20.6	27.0	39.0	6.4	60	14	40	114	SAS-620
240	M12 M16	22.0	28.0	40.0	6.0	66	14	44	124	SAS-536 SAS-537
300	M16 M20	24.0	31.0	45.7	7.0	71	14	54	138.5	SAS-500 SAS-559
400	M20	28.0	36.0	51.0	8.0	84	13	61	158	SAS-560
500	M20	30.0	41.0	58.0	11.0	90	15	65	170	SAS-596
630	M20	35.0	46.0	66.0	11.0	104	16	69	188.5	SAS-561
800		39.0	51.0	73.0	12.0	116	25	78	218.5	SAS-618
1000		43.5	57.0	81.0	13.5	150	30	90	270	SAS-619

Tolerance = ± 5%