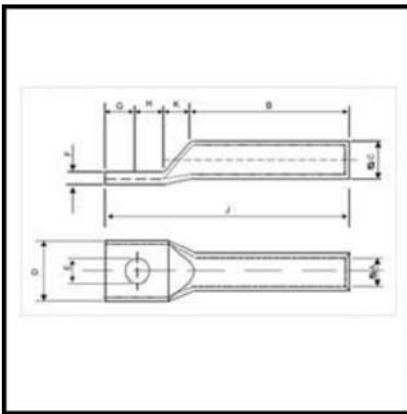




www.swastiklugs.in
spsslugs@yahoo.in

SWASTIK ALUMINIUM TERMINALS ENDS FOR- XLPE CONDUCTORS



Swastik Cat No	SIZE MM ²	ØE	ØA	ØC	D	F	B	K	H	G	J
SAS-XL17	25	8.2	7.2	9.6	14.0	2.4	41	7	12	9	69
SAS-XL18	35	8.2	8.3	11.1	16.0	2.8	50	7	11	11	79
SAS-XL19	50	10.2	10.2	13.5	19.5	3.4	49	8	13	11	81
SAS-XL20	70	10.2	10.2	14.5	20.5	4.3	62	8	13	13	96
SAS-XL21	95	12.7	12.0	16.9	23.5	4.9	73	8	14	14	109
SAS-XL22	120	12.7	13.7	19.0	26.5	5.3	73	11	15	15	114
SAS-XL23	150	12.7	15.1	21.1	29.5	6.1	83	11	17	17	128
SAS-XL24	185	12.7	16.6	23.9	33.0	7.3	83	12	18	18	131
SAS-XL25	225	12.7	18.6	26.1	36.0	7.5	86	14	20	20	140
SAS-XL26	240	12.7	19.3	27.2	37.5	7.9	86	14	22	22	144
SAS-XL27	300	20.3	21.8	30.2	42.0	8.4	89	14	27	27	157
SAS-XL28	400	20.3	25.0	34.8	48.0	9.8	113	13	30	30	187
SAS-XL29	500	20.3	28.2	39.1	54.0	10.9	125	15	32	32	205
SAS-XL30	630	20.3	31.7	44.4	61.0	12.7	140	16	34	34	225
SAS-XL31	800	20.3	35.7	49.5	68.0	13.8	147	25	39	39	250
SAS-XL32	1000	20.3	41.0	56.0	77.5	15.0	160	30	45	45	280

Tolerance = ± 5%