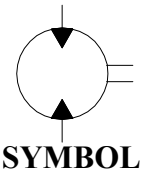


### YMS SERIES HYDRAULIC MOTOR

YMS series motors adapt the advanced Geroler gear set design with disc distribution flow and high pressure.

Characteristic Features:

- Geroler gear set design provides smooth and reliable operation and high efficiency.
- Sturdy taper roller bearings to accommodate high axial and radial flows.
- Disc valve design ensures high volumetric efficiency and smooth rotation



### **SPECIFICATIONS:**

Type		YMS 80	YMS 100	YMS 125	YMS 160	YMS 200	YMS 250	YMS 315	YMS 375
<b>Geometric Displacement (cm<sup>3</sup>/rev.)</b>		<b>80.6</b>	<b>100.8</b>	<b>125</b>	<b>157.2</b>	<b>200</b>	<b>252</b>	<b>314.5</b>	<b>370</b>
<b>Max. Speed (rpm)</b>	Cont.	800	748	600	470	375	300	240	200
	Int.	988	900	720	560	450	360	280	240
<b>Max. Torque (Nm)</b>	Cont.	190	240	310	316	400	450	560	536
	Int.	240	300	370	430	466	540	658	645
	Peak	260	320	400	472	650	690	740	751
<b>Max. Output (Kw)</b>	Cont.	15.9	18.8	19.5	15.6	15.7	14.1	14.1	11.8
	Int.	20.1	23.5	23.2	21.2	18.3	17.0	18.9	17
<b>Max. Pressure Drop (MPa)</b>	Cont.	17.5	17.5	17.5	15	14	12.5	12	10
	Int.	21	21	21	21	16	16	14	12
	Peak	22.5	22.5	22.5	22.5	22.5	20	18.5	14
<b>Max. Flow (L/min.)</b>	Cont.	65	75	75	75	75	75	75	75
	Int.	80	90	90	90	90	90	90	90
<b>Max. Inlet Pressure (MPa)</b>	Cont.	25	25	25	25	25	25	25	25
	Int.	30	30	30	30	30	30	30	30
<b>Weight (Kg)</b>		9.8	10	10.3	10.7	11.1	11.6	12.3	12.6

\* Continuous pressure: Max. Value of operating the motor continuously.

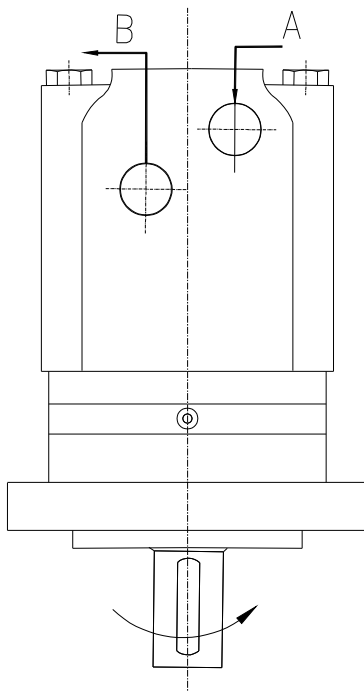
\* Intermittent pressure: Max. Value of operating the motor for 6 seconds per minute.

\* Peak pressure: Max. Value of operating the motor for 0.6 second per minute.

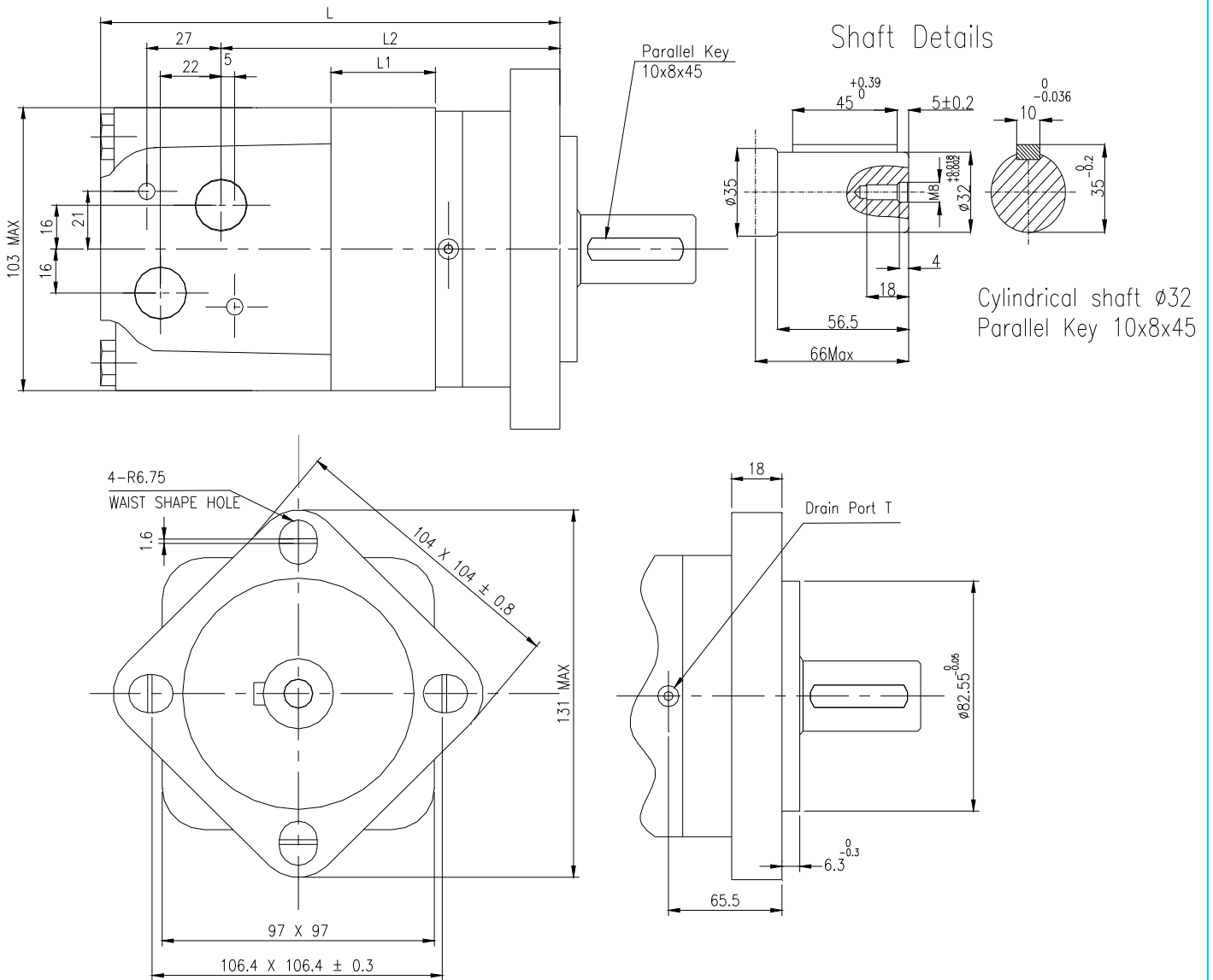
**MODEL NUMBER DESIGNATION:**

YMS	-80	-SA1	-K1	-AD		-R	-00	-00	-10
Model Number	Displacement	Type of Flange Mounting	Type of Shaft	Port Sizes		Rotation Direction	Paint	Special Features	Design* Number
				Main Ports (A&B)	Drain Port	As viewed from shaft end			
YMS	80 100 125 160 200 250 315	<b>SA1:</b> 2 Bolt- Ø13.5x106.4 -Oval flange, spigot Ø82.5x8	<b>K1:</b> Shaft Ø32, parallel key 10x8x45	End Port G1/2"	G1/4"	<b>R:</b> Clockwise when port "A" is pressurized  <b>L:</b> Counter- clockwise when port "B" is pressurized	<b>00:</b> No paint	<b>00:</b> Standard	<b>10</b>

\* Design numbers subject to change but installation dimensions remain as shown.



**MOUNTING DETAILS:**

 DIMENSIONS IN  
MILLIMETRES

 Cylindrical shaft  $\phi 32$   
Parallel Key 10x8x45

MODEL	L	L1	L2
YMS80	167	13	123.2
YMS100	171	17	127.2
YMS125	176	22	132.2
YMS160	181.5	27.5	137.7
YMS200	189	35.1	145.2
YMS250	201	47	157.2
YMS315	213	59	169.2
YMS375	225	71	181.2

CODE MOUNTINGS	D(DEPTH)	M(DEPTH)	S(DEPTH)	P(DEPTH)
P(A,B)	G1/2"(18)	M22X1.5(18)	7/8"-14 O-RING(18)	1/2"-14NPTF(15)
C	G 1/4"(12)	M14X 1.5 (12)	7/16"-20UNF(12)	7/16"-20UNF(12)
T	2-M10(13)	2- M10 (13)	2-3/8"-16UNC(13)	2-3/8"-16UNC(13)

**PERFORMANCE DATA:**
**YMS 100 (100.8 cm<sup>3</sup>/rev.)**

		PRESSURE (MPa)							
		3.5	7	10.5	14	17.5	21	22.5	
Flow (L/min)	15	48 146	95 144	150 139	200 135	250 130	289 120	310 105	
	30	45 291	94 289	146 278	198 274	250 269	295 258	317 242	
	40	43 387	89 384	142 374	196 359	248 350	293 335	316 320	
	50	40 486	88 483	135 473	194 462	247 450	292 430	315 420	
	60	37 588	88 584	132 574	185 562	244 550	289 538	312 520	
	Max.cont	75	35 740	80 735	130 720	180 705	240 696	286 676	310 653
	Max.int	90	30 850	75 840	124 810	170 787	236 770	277 750	303 747

TORQUE (N.m) 277

SPEED (rpm) 750

**YMS 125 (125 cm<sup>3</sup>/rev.)**

		PRESSURE (MPa)							
		3.5	7	10.5	14	17.5	21	22.5	
Flow (L/min)	15	55 112	120 110	176 103	245 96	309 93	349 90	375 84	
	30	55 222	120 220	175 217	250 208	324 200	375 199	408 190	
	40	55 302	120 298	175 292	250 284	324 276	370 268	408 260	
	50	50 379	115 373	176 368	248 363	320 350	370 339	406 328	
	60	45 456	113 448	171 443	245 439	324 425	368 406	406 393	
	Max.cont	75	45 570	110 563	167 555	240 546	314 533	370 515	401 503
	Max.int	90	40 685	105 676	162 670	237 659	309 644	365 625	398 610

**YMS 80 (80.6 cm<sup>3</sup>/rev.)**

		PRESSURE (MPa)							
		3.5	7	10.5	14	17.5	21	22.5	
Flow (L/min)	15	35 180	80 174	120 168	158 164	195 158	235 151	249 143	
	30	35 362	80 352	120 346	158 338	195 330	240 322	260 310	
	40	35 482	79 473	119 464	155 453	193 444	234 434	150 415	
	50	30 602	77 594	117 587	153 569	192 560	232 551	248 522	
	Max.cont	60	28 724	77 713	117 707	153 683	192 673	232 664	247 629
	65	25 790	75 785	114 770	152 760	190 742	230 720	245 704	
	Max.int	80	22 980	70 965	110 950	140 920	170 891	200 860	220 830

**YMS 160 (157.2 cm<sup>3</sup>/rev.)**

		PRESSURE (MPa)							
		3.5	7	10.5	14	17.5	21	22.5	
Flow (L/min)	15	70 91	140 88	205 84	305 78	371 76	430 74	473 58	
	30	75 185	150 182	214 176	321 168	380 164	427 162	490 152	
	40	70 248	150 244	215 239	320 229	378 224	425 217	488 204	
	50	65 312	145 308	215 304	316 294	378 288	425 280	482 270	
	60	65 375	145 371	214 365	315 357	375 346	424 336	482 323	
	Max.cont	75	60 470	138 465	208 458	311 447	375 436	420 426	
	Max.int	90	56 564	130 559	200 551	308 541	370 526	414 517	

**YMS 200 (200 cm<sup>3</sup>/rev.)**
**YMS 250 (252 cm<sup>3</sup>/rev.)**

PRESSURE (MPa)		Max.cont			Max.int	
3.5	7	10.5	14	17.5	22.5	

PRESSURE (MPa)		Max.cont			Max.int	
3.5	7	10.5	14	17.5	22.5	

Flow (L/min)		3.5		7		10.5		14		17.5		22.5	
		Max.cont	Max.int	Max.cont	Max.int	Max.cont	Max.int	Max.cont	Max.int	Max.cont	Max.int	Max.cont	Max.int
15		89	73	190	71	295	68	400	64	484	60	608	52
30		87	148	190	146	294	143	399	140	485	135	600	127
40		86	193	188	191	292	189	397	186	483	181	594	172
50		80	247	184	245	290	243	395	240	480	235	590	226
60		74	298	178	295	286	293	390	290	475	284	582	273
Max.cont	75	58	372	160	369	275	365	375	362	460	358	570	346
Max.int	90	49	440	148	435	260	430	355	422	445	411	555	401

Flow (L/min)		3.5		7		10.5		14		17.5		22.5	
		Max.cont	Max.int	Max.cont	Max.int	Max.cont	Max.int	Max.cont	Max.int	Max.cont	Max.int	Max.cont	Max.int
15		117	58	230	55	355	52	450	51	554	47	652	46
30		117	118	225	117	112	348	446	109	560	107	657	106
40		115	160	225	156	345	152	442	150	552	146	650	142
50		110	202	220	239	237	338	435	234	542	231	642	249
60		105	242	220	239	338	237	435	234	542	231	642	229
Max.cont	75	95	300	215	296	293	332	430	286	537	282	638	278
Max.int	90	90	360	205	354	348	310	420	340	530	332	632	326

**YMS 315 (314.5 cm<sup>3</sup>/rev.)**

PRESSURE (MPa)		Max.cont			Max.int	
3.5	7	10.5	12	14	18.5	

Flow (L/min)		3.5		7		10.5		12		14		18.5	
		Max.cont	Max.int	Max.cont	Max.int	Max.cont	Max.int	Max.cont	Max.int	Max.cont	Max.int	Max.cont	Max.int
15		160	48	320	47	465	45	555	43	650	40	748	38
30		165	94	322	92	468	90	560	89	658	86	752	85
40		160	125	310	123	457	120	546	118	642	116	741	115
50		155	158	305	156	450	153	538	150	637	147	736	145
60		152	175	302	174	442	170	532	164	632	162	732	159
Max.cont	75	145	236	295	234	436	230	525	227	628	225	726	222
Max.int	90	132	285	280	282	430	280	520	276	622	273	723	270