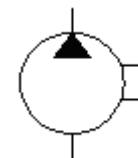
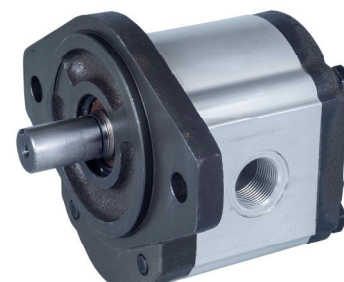


PG2-Series Gear Pumps

- High strength aluminum extruded body.
- Hardened and ground integral gear shaft.
- Special aluminum alloy bush bearing.
- Axially balanced for high volumetric efficiency in excess of 95%.
- 12 teeth design with modified profile for low noise.
- Viscosity range of fluid medium : 10~300cSt



Graphic Symbol

Model Number	Geometric Displacement		Pressure in Bar		Shaft Speed range rpm		Weight Kg (Approx.)
	cm ³ /rev	LPM @ 1500 rpm	Continuous	Intermittent	Min.	Max.	
PG2-151	15.1	22.6	207	225	550	3000	7.0
PG2-213	21.3	32.0	207	225	550	3000	7.0
PG2-273	27.3	41.0	207	225	600	3000	7.5
PG2-318	31.8	47.7	207	225	600	3000	7.5
PG2-363	36.3	54.5	207	225	600	3000	8.0
PG2-443	44.3	66.5	174	200	600	2500	8.5
PG2-478	47.8	71.7	174	200	600	2500	8.5
PG2-667	66.7	100.1	138	150	600	2500	9.5

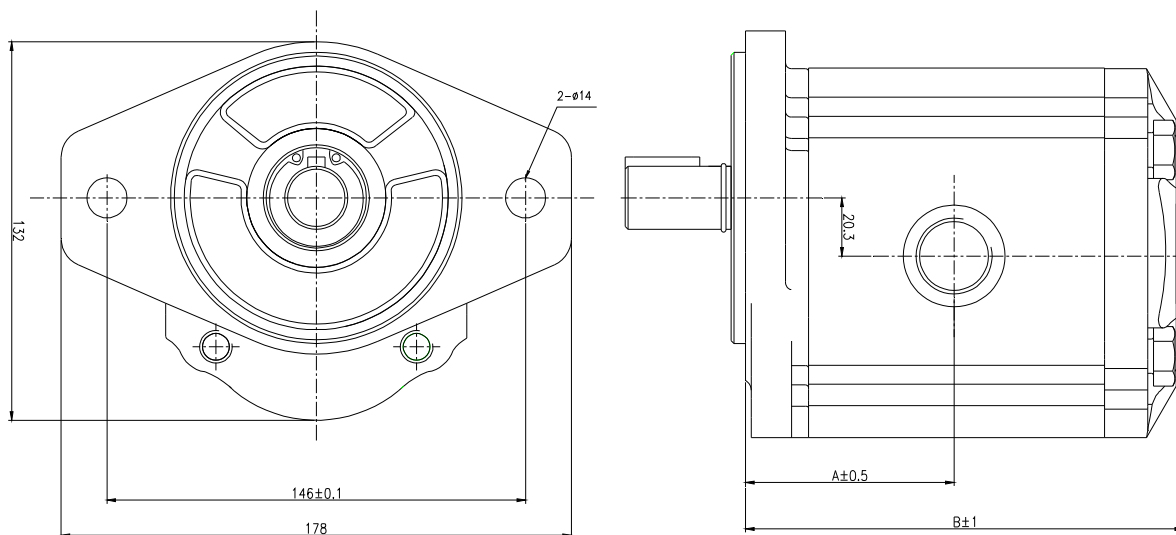
■ Model Number Designation:-

PG2	-151	-P	-2	-P	-B	-R	-1080		
Series	Size	Shaft	Mounting	Port	Seal	Direction of Rotation (Viewed from Shaft Side)	Design no. & Std.		
PG2	151	P: Straight with Snap ring	2.SAE 'B'-2 Bolt	F: Flange Port	B: Nitrile	R: Clockwise	10: Design Number		
	213			P: BSPF Port					
	273								
	318			V: Viton				L: Counter Clockwise	80: Design Standard
	363								
	443								
	478								
667									

Example: - PG2-151-P-2-P-B-R-1080

151: 15.1cc/rev, P: Straight with Snap Ring, 2: SAE 'B'2 Bolt Spigot Mounting, P: BSPF Port, B: Single Nitrile
R: Clockwise, 10: Design No, 80: Design Standard.

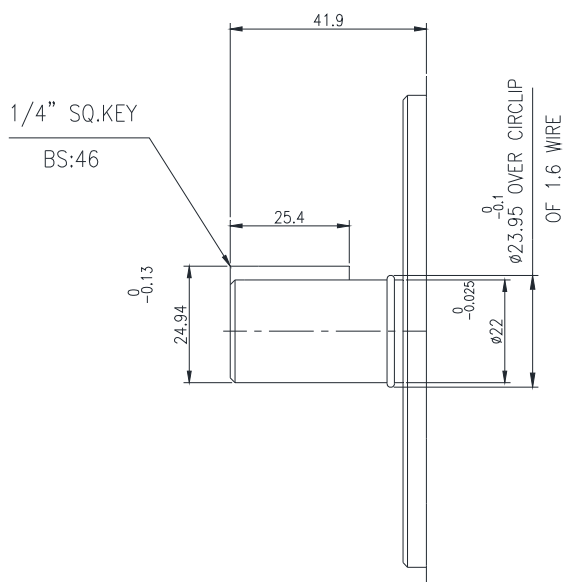
• **General arrangement**



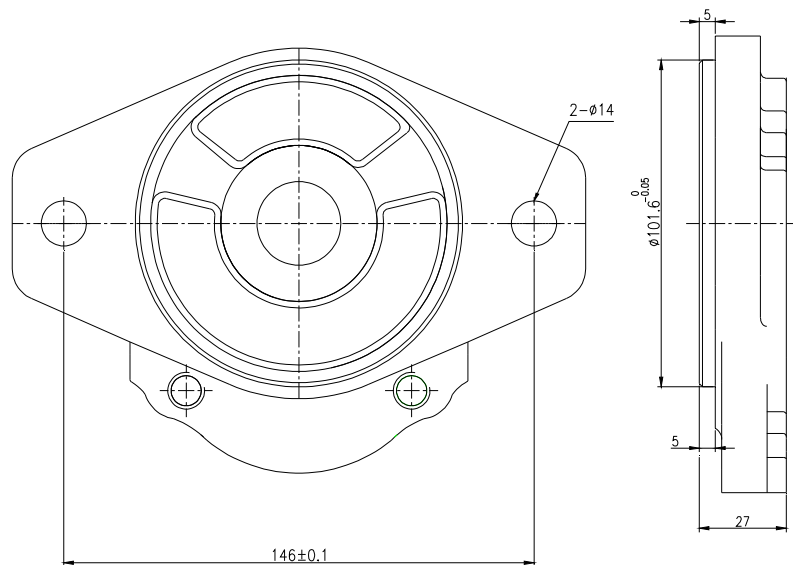
Sl no	Model Number	Dimension(mm)	
		A	B
A	PG2-151	57.8	121.6
B	PG2-213	61.7	128.4
C	PG2-273	65.0	135.0
D	PG2-318	67.5	140.0
E	PG2-363	70.0	144.9
F	PG2-443	74.4	153.7
G	PG2-478	76.3	157.6
H	PG2-667	86.7	178.4

Shaft:

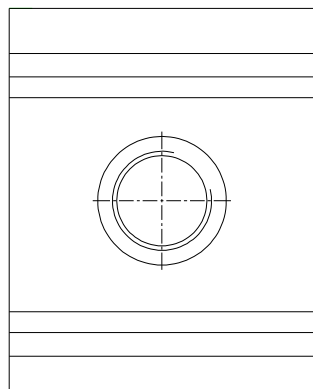
Option-P



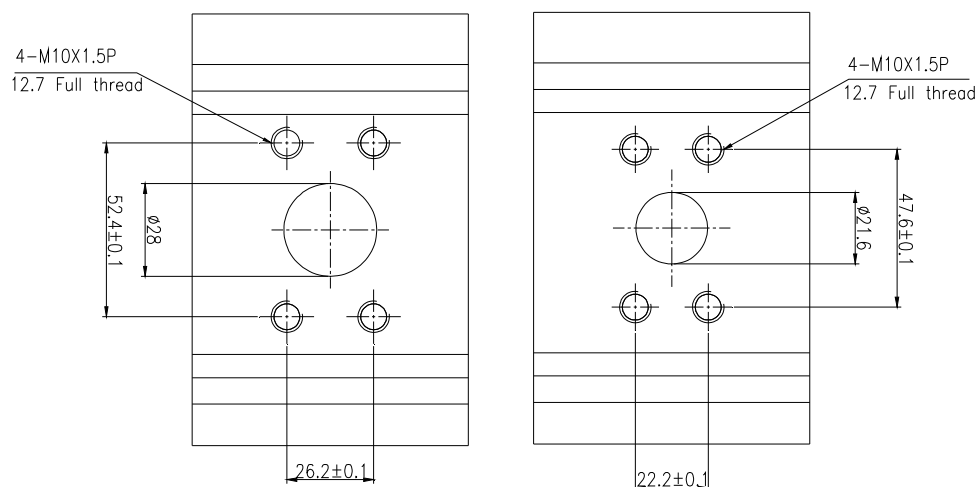
Mounting Details



Ports: P BSPF



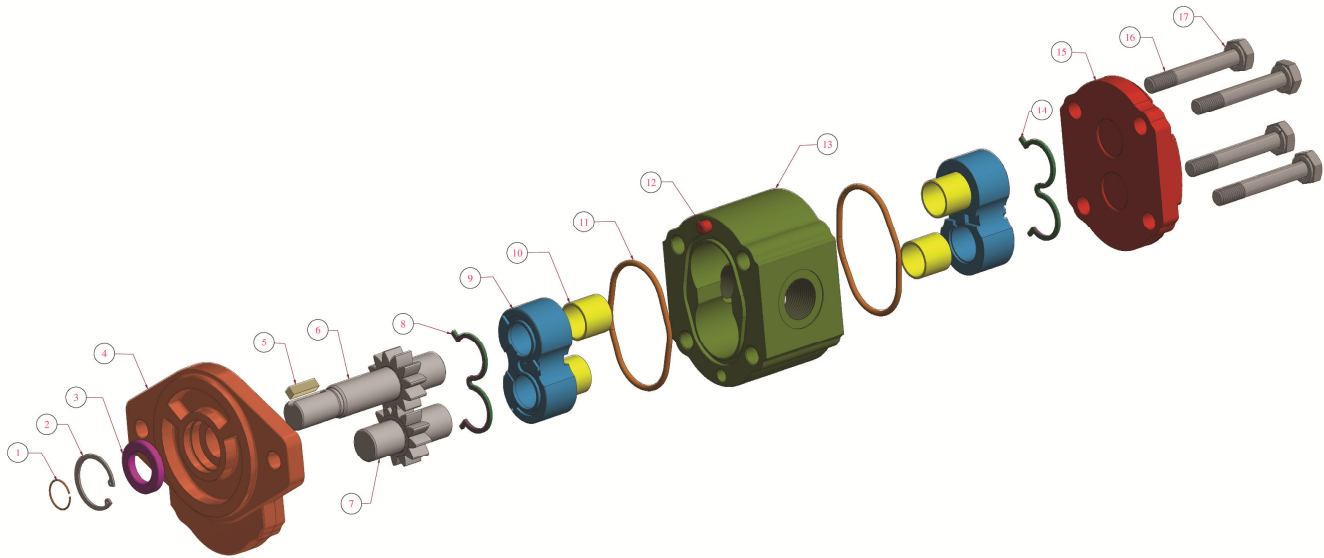
F: Flange Port



Sl no	Model Number	Port Size(BSPF)	
		Inlet	Outlet
A	PG2-151	1"	3/4"
B	PG2-213	1"	3/4"
C	PG2-273	1"	3/4"
D	PG2-318	1"	3/4"
E	PG2-363	1"	3/4"
F	PG2-443	1"	3/4"
G	PG2-478	1"	3/4"
H	PG2-667	1"	1"

Sl no	Model Number	Port Size	
		Inlet	Outlet
A	PG2-151	Ø28	Ø21.6
B	PG2-213	Ø28	Ø21.6
C	PG2-273	Ø28	Ø21.6
D	PG2-318	Ø28	Ø21.6
E	PG2-363	Ø28	Ø21.6
F	PG2-443	Ø28	Ø21.6
G	PG2-478	Ø28	Ø21.6
H	PG2-667	Ø28	Ø21.6

Exploded View:-



ITEM NO	DESCRIPTION	QTY	ITEM NO	DESCRIPTION	QTY
1	SNAP RING	1	10	BUSH	4
2	CIRCLIP	1	11	O RING	2
3	SHAFT SEAL	1	12	DOWEL PIN	2
4	SHAFT END COVER	1	13	PUMP BODY	1
5	STRIGHT KEY	1	14	BODY END SEAL	2
6	DRIVING GEAR	1	15	CLOSE END COVER	1
7	DRIVEN GEAR	1	16	HEX. BOLT	4
8	BACKUP SEAL	2	17	SPRING WASHER	4
9	BUSHING BLOCK	2			



Performance Chart

(Performance data shown are for representative pumps with mineral oil VG46 of viscosity 40~50cSt @ 40°C)

