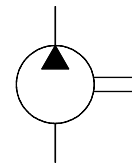


PG0-Series Gear Pumps

- High strength aluminum extruded body.
- Hardened and ground integral gear shaft.
- Special aluminum alloy bush bearing.
- Axially balanced for high volumetric efficiency in excess of 95%.
- Viscosity range of fluid medium : 10~300cSt.



Graphic Symbol



Specifications

Model Numbers	Geometric Displacement cm ³ /rev.	Maximum Pressure Kgf/cm ²		Shaft Speed Range r/min.		(Approx.) Mass (Kg)
		Continuous	Intermittent	Max.	Min.	
PG0-066	0.66	180	220	4500	1000	1.5
PG0-100	1.0	200	240			
PG0-160	1.6					
PG0-210	2.1					
PG0-320	3.2	180	220	3500	600	1.6
PG0-420	4.2					
PG0-530	5.3					
PG0-640	6.4	160	200	1.7	1.8	
PG0-840	8.4	150	160			

Model Number Designation

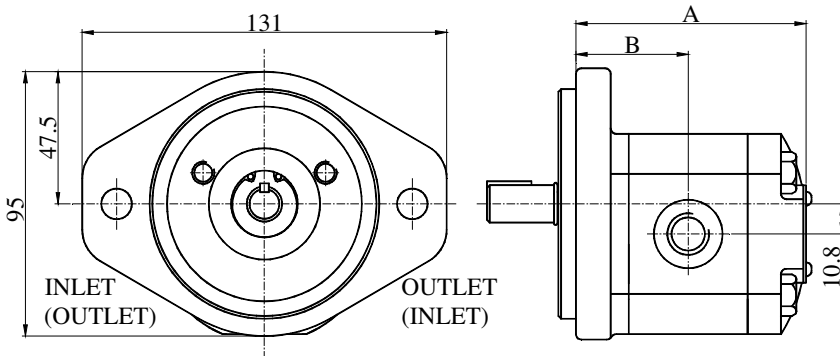
PG0	-066	-S	-1	-S	-B	-R	-10	80
Series	Size	Shaft	Mounting	Port	Drive Shaft Seal	Direction of Rotation (Viewed from Shaft End)	Design Number	Design Std.
PG0	066	S: Straight T: Taper (1:8) U: Spline	1: SAE 'A' 2 Bolt *2 2: SAE 'AA' 2 Bolt 3: Rectangular *1 4: European	S: SAE Port 'O' Ring Port P: BSPF Port F: Flange	B: Nitrile V: Viton	R: Clockwise L: Counter Clockwise	10	80
	100							
	160							
	210							
	320							
	420							
	530							
	640							
840								

*1 Rectangular Mounting available in T:Taper Shaft only.

*2 For SAE 'A' -2 Bolt consult factory.

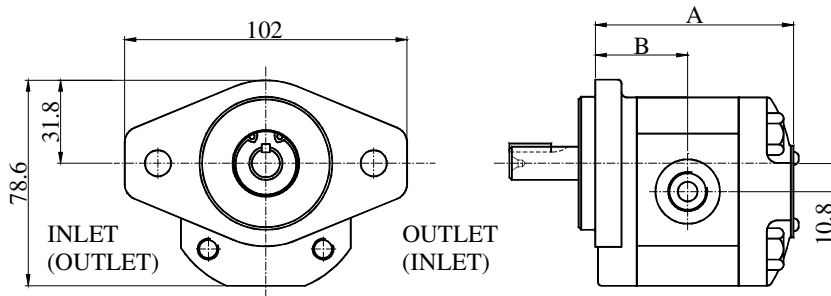
- **General Arrangement**
- **SAE 'A' 2-Bolt**

DIMENSIONS IN
MILLIMETRES



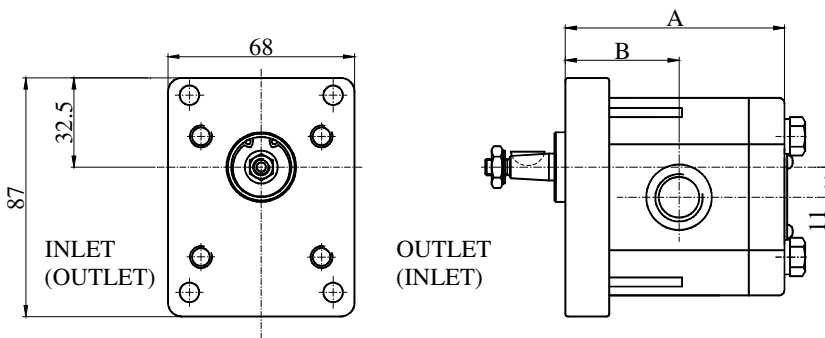
Model Numbers	A	B
PG0 - 066	63.1	27.8
PG0 - 100	64.6	28.6
PG0 - 160	67.2	29.9
PG0 - 210	69.5	31.0
PG0 - 320	74.2	33.4
PG0 - 420	78.6	35.6
PG0 - 530	83.4	38.0
PG0 - 640	88.2	40.4
PG0 - 840	97.2	44.9

- **SAE 'AA' 2 Bolt**



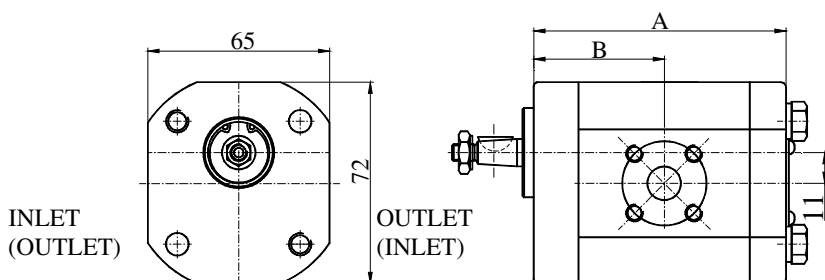
Model Numbers	A	B
PG0 - 066	66.4	31.1
PG0 - 100	67.9	31.9
PG0 - 160	70.5	33.2
PG0 - 210	72.8	34.3
PG0 - 320	77.5	36.7
PG0 - 420	81.9	38.9
PG0 - 530	86.7	41.3
PG0 - 640	91.1	43.7
PG0 - 840	100.5	48.2

- **Rectangular**



Model Numbers	A	B
PG0 - 066	59.6	31.3
PG0 - 100	61.1	32.1
PG0 - 160	63.7	33.4
PG0 - 210	66.0	34.5
PG0 - 320	70.7	36.9
PG0 - 420	75.1	39.1
PG0 - 530	79.9	41.5
PG0 - 640	84.7	43.9
PG0 - 840	93.7	48.4

- **European**

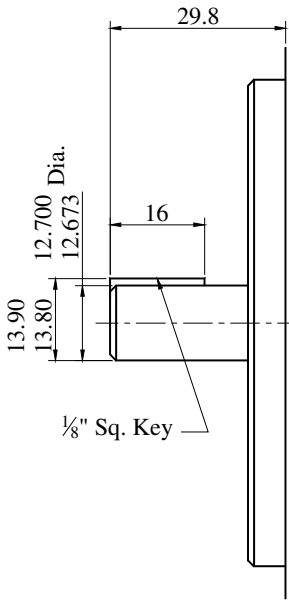


Model Numbers	A	B
PG0 - 066	59.6	31.3
PG0 - 100	61.1	32.1
PG0 - 160	63.7	33.4
PG0 - 210	66.0	34.5
PG0 - 320	70.7	36.9
PG0 - 420	75.1	39.1
PG0 - 530	79.9	41.5
PG0 - 640	84.7	43.9
PG0 - 840	93.7	48.4

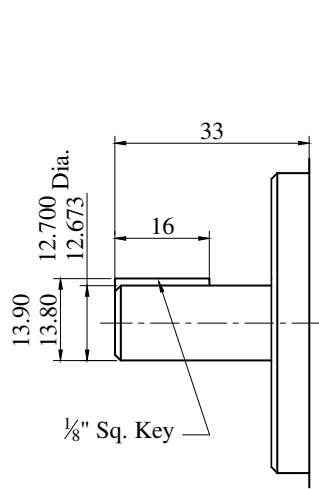
Pump details shown for clockwise rotation viewed from shaft side.

• Shaft Details

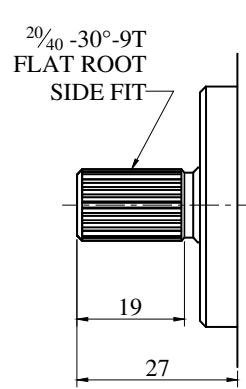
S: Straight
(SAE 'A' 2 Bolt)



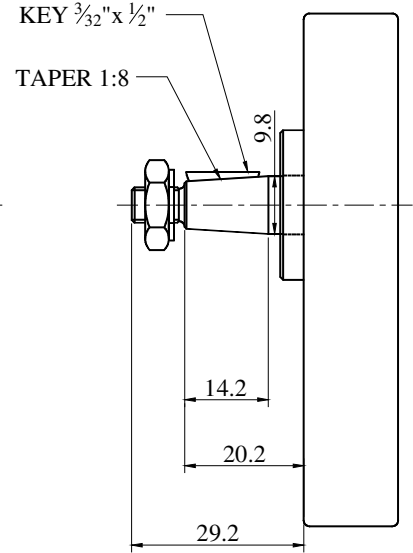
S: Straight
(SAE 'AA' 2 Bolt)



U: Spline

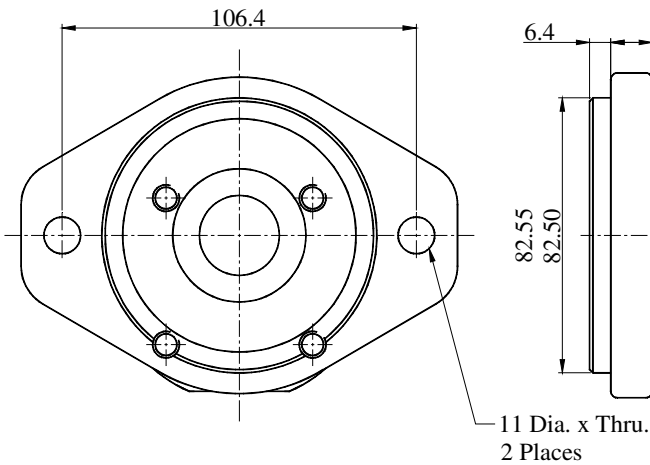


T: taper

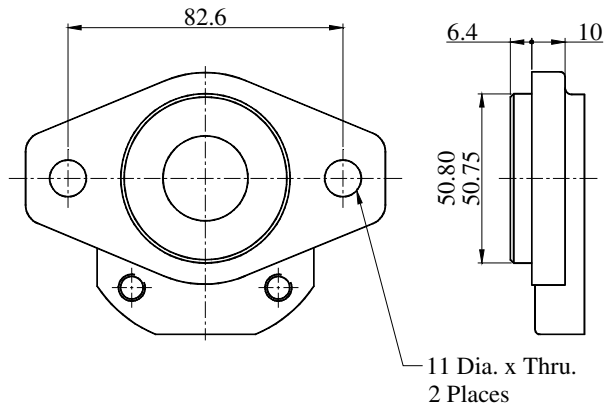


• Mounting Details

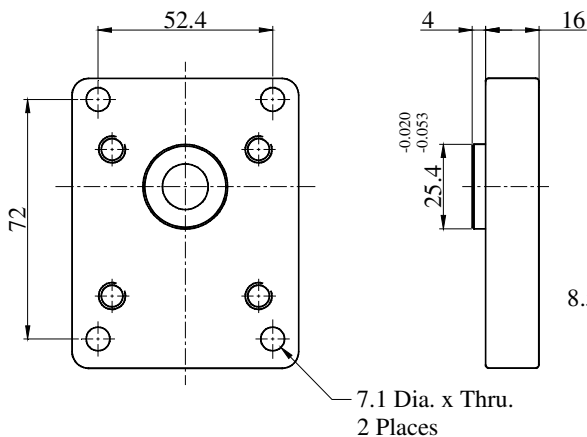
• SAE 'A' 2 Bolts Flange



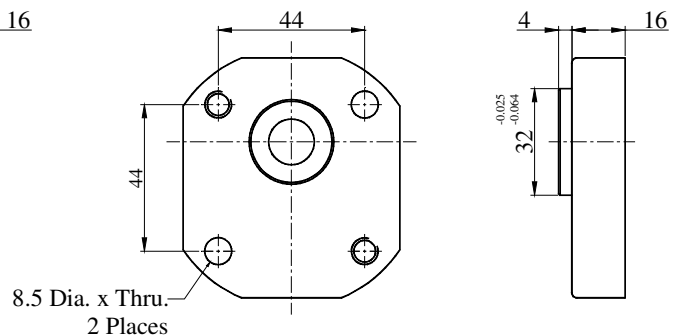
• SAE 'AA' 2 Bolts Flange



• Rectangular Mounting
(Available only in Taper Shaft)

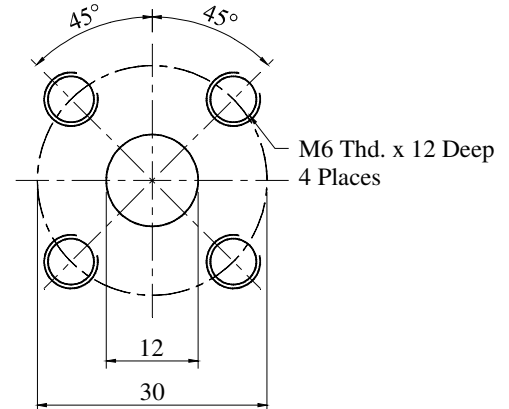


• European Mounting



Ports

Model Numbers	P: BSP.F Ports		S: SAE O-Ring Ports		F: Flange Ports	
	Inlet	Outlet	Inlet	Outlet	Inlet	Outlet
PG0-066	3/8"	3/8"	9/16"-18	9/16"-18	—	—
PG0-100	3/8"	3/8"	9/16"-18	9/16"-18	—	—
PG0-160	3/8"	3/8"	9/16"-18	9/16"-18	—	—
PG0-210	3/8"	3/8"	3/4"-16	3/4"-16	—	—
PG0-320	3/8"	3/8"	3/4"-16	3/4"-16	12 Dia.	12 Dia.
PG0-420	1/2"	1/2"	3/4"-16	3/4"-16	12 Dia.	12 Dia.
PG0-530	1/2"	1/2"	7/8"-14	7/8"-14	12 Dia.	12 Dia.
PG0-640	1/2"	1/2"	7/8"-14	7/8"-14	12 Dia.	12 Dia.
PG0-840	1/2"	1/2"	7/8"-14	7/8"-14	12 Dia.	12 Dia.



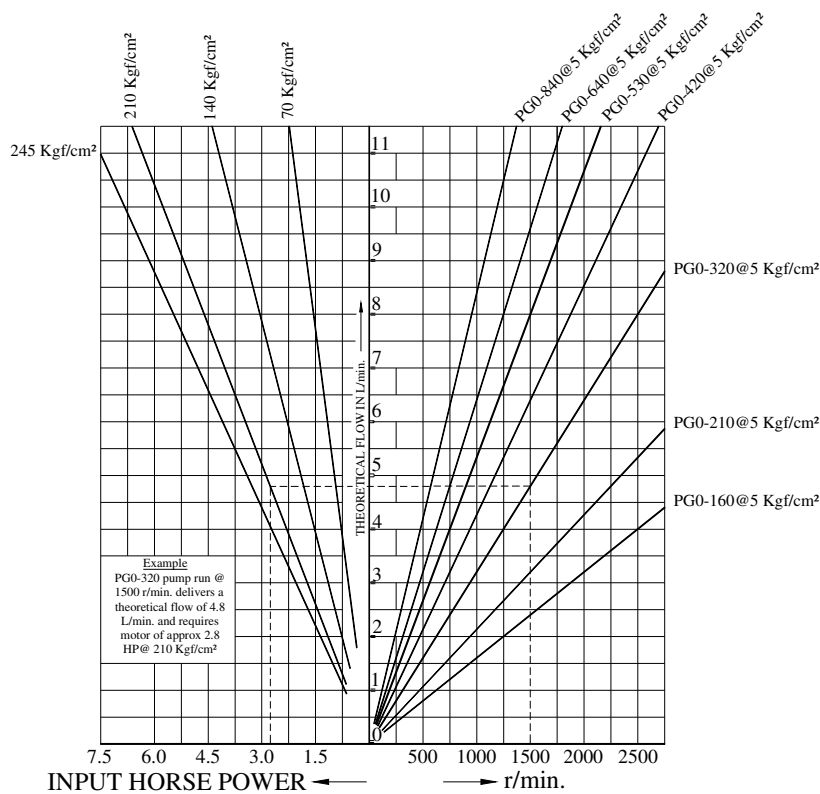
INLET & OULET FOR FLANGE PORT

Seals

B: Nitrile (Temp. range:- 15°C + 80°C)

V: Viton (Temp. range:- 10°C + 140°C)

Performance Characteristics



(Performance data shown are for representative pumps with mineral oil VG 46 of viscosity 40~50cSt @ 40°C)

Spare Parts List

List of Seals

Sl No.	Name of Parts	Part Numbers		Qty.
		Nitrile	Viton	
1	Body End Seal	B200 01 11	PG1 01 22	2
2	Oil Seal	ISD 17307	B200 01 27	1

Note: When ordering the seals, please specify the seal kit number
 KS-PG0-B for Nitrile
 KS-PG0-V for Viton