

2-Tube Anesthetic Rotameters with AHD

FUNCTION

The Flow Head incorporates the following functions :

- Gas indexed pneumatic inlet ports
- N₂O gas flow cut off in the event of oxygen failure
- Flow control needle valves
- N₂O/O₂ flow ratio hypoxic mixture prevention proportioning system
- Color coded, marked specific labels for flow tubes and flow control valves
- Gas mixing chamber, mixed gas outlet

GENERAL OPERATION

The Flow Head integrates O₂ and N₂O.

The O₂ Air and N₂O needle valves gas supply pressure is externally regulated to 400Kpa±10Kpa as per standard.

The N₂O channel incorporates a pressure cut-off valve. The O₂ supply pressure in the circuit controls the output pressure of the pressure cut-off valve. Under all conditions of operation, the N₂O flow shall reach zero before the O₂ flow. In this flow head the N₂O pressure switch shall cut off the flow of N₂O before the O₂ pressure drops below 50±15Kpa.

PERFORMANCE STANDARDS

Standard flow conditions defined at 20°C, 101.3Kpa, (760mmHg)

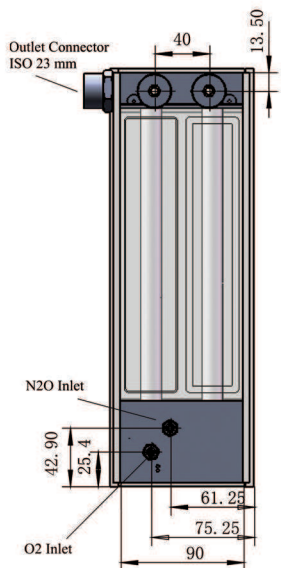
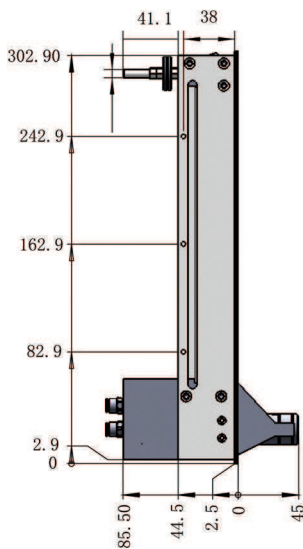
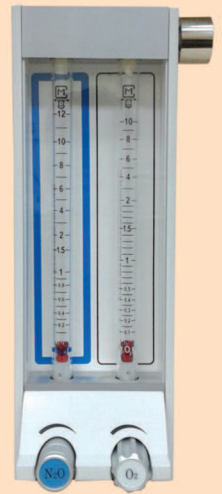
Conforms to ISO 5358 requirements

Flow Tubes

- Flow Tubes are calibrated for discharge into an ambient atmosphere of 101.3Kpa at an operating temperature of 20°C.
- Each flow tube shall be calibrated to accuracy of ±10% of reading, or better.
- Flow tubes withstand 690Kpa internal pressure without breaking.

Flow Control Valves

- Anti-clockwise rotation shall cause an increase in flow.
- Flow control knob are color coded and touch coded. Smooth and precise rotation ensures accurate flow setting.



FLOW CAPACITY OPTIONS

Gas	Flow Range
O ₂	0.1 – 10 L/min.
N ₂ O	0.1 – 12 L/min.

PROPORTIONING SYSTEM %OXYGEN IN MIXED GAS TOTAL FLOW

Total Flow Below 1 L/min.	Total Flow 1 L/min. & above
Min. 21%	21% to 33%

PRESSURE CUT-OFF VALVE

N₂O regulated pressure shall drop with falling of O₂ supply pressure and shall progressively reduce flow of this gas while maintaining the proportion of O₂ (22% min.) until O₂ pressure falls to 50±15Kpa at which point the supply of N₂O shall be cut off.

The only means of restoring N₂O flow after O₂ supply failure (O₂ pressure below 50±15Kpa) shall be the restoration of O₂ pressure.

ASSEMBLY

Leakage from atmosphere shall not exceed 10Sml/min. when a vacuum of 80cm H₂O is applied to all internal.

MATERIALS

All wetted material are compatible with all gases used and all anaesthetic agents.

Equipment complies with RoHS requirements.



CM Flowmeters (India) Pvt. Ltd.

Plot 2 Phase III Kaska Industrial Estate EM Bypass Kolkata 700 107 INDIA

Phone : 91 33 2442 1456, 2443 0201 Fax : 91 33 2443 0201

Email : sales@cmflowmeters.in URL : www.cmflowmeters.in