

## DESIGN FEATURES

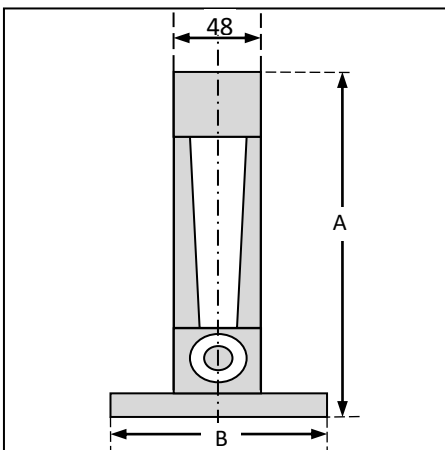
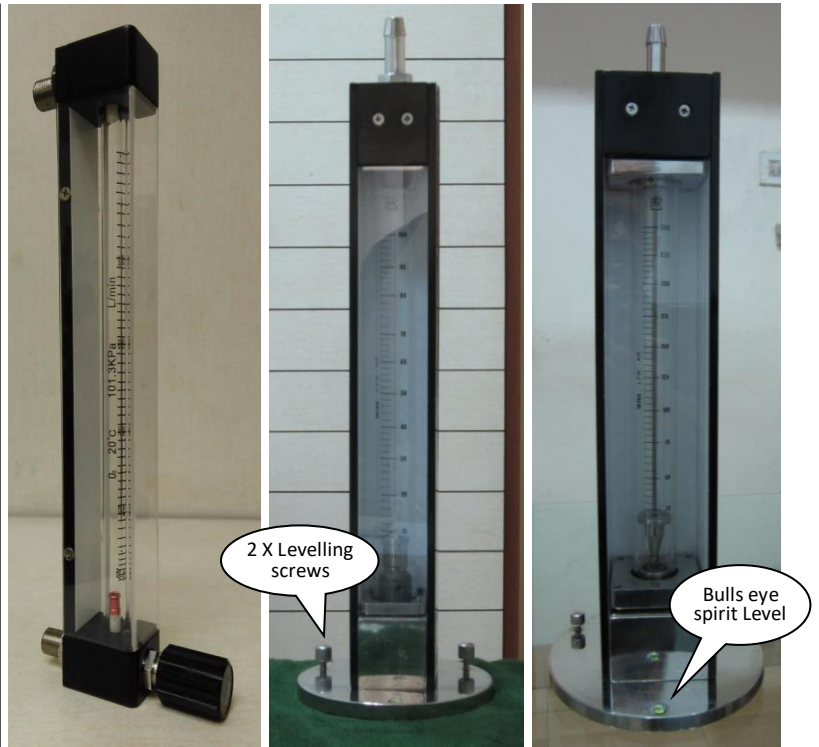
- Ten to one rangeability
- Heavy wall, precision bore, borosilicate glass metering tubes with contrasting background
- Scales fused on metering tubes, or scales with conversion chart
- Tube sealed on compression gaskets by threaded seal
- Easy removable tubes without disconnecting the instrument

## DESCRIPTION

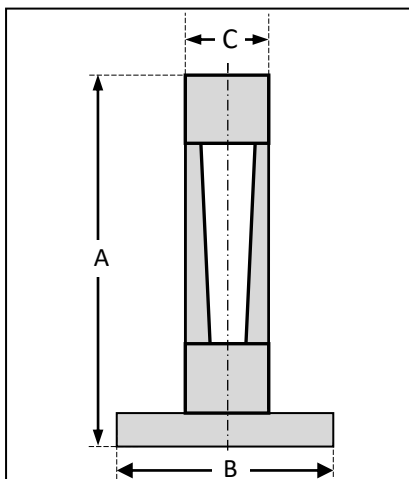
The CM flowmeters provide an economical means of flow rate indication and control for general use, and laboratory applications. The instruments are ideal for common applications like purging services, cooling water flow indication, bearing lubrication, carrier gas flow rate indication, fuel flow indication, in chromatography, atomic absorption, and indication and control of doping gas in electronic crystal growing furnaces. The table models are generally used for laboratory applications and also for calibration/verification of line instruments.

## FEATURES / CONSTRUCTION DATA

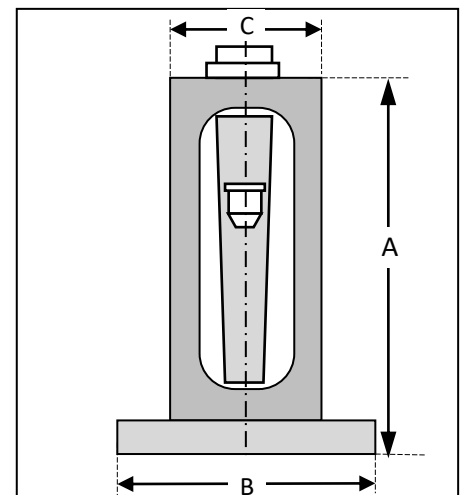
- ❖ Fitting material: Standard SS 304. Options of SS 316, brass available.
- ❖ Connection material: Standard SS 304. Options of SS 316, brass available.
- ❖ Connection types : Back entry and top exit. Also available back exit in some models.
- ❖ Connection sizes: Please see table
- ❖ Metering tube material : Borosilicate glass
- ❖ Float material: Glass, Aluminum, 316 SS, Teflon, PVC, etc. See selection table below.
- ❖ Float stop material: Teflon, PA
- ❖ Tube packing material : Standard-Neoprene Viton also available.
- ❖ O-Ring material: Standard-Neoprene Viton also available.
- ❖ Two leveling screws provided for leveling
- ❖ "Bulls eye" spirit level provided on the base plate ensures easy leveling.



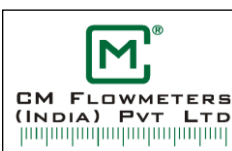
Tube codes	A	B
101	183	125
111-112, 151-152	233	125
121-122, 161-162	313	125
171-172	383	125



Tube codes	A	B	C
221-222, 321-324	410	140	60



Tube codes	A	B	C
381-382, 430, 490	426	170	84
751-752, 881-882	485	230	160



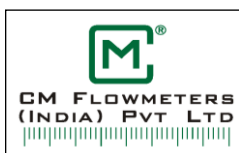
## CM Flowmeters (India) Pvt., Ltd.

Plot-2, Phase-3, Kasba Industrial Estate, Kolkata-700107, India.

Ph: +91 33 2442 1456; email :sales@cmflowmeters.in; web: www.cmflowmeters.in

Capacity table for flowmeter selection (Tube code 100-172)								
								Remarks
		Aluminum Conical Hollow	SS-304/316 Conical Hollow	SS-304/316 Ball	PVC/Teflon Ball	Glass Ball	SS-304/316 Conical solid	
		Min- Max LPM Air	Min- Max LPM Air	Min- Max LPM Air	Min- Max LPM Air	Min- Max LPM Air	Min- Max LPM Air	
100	1010100	0.05 - 0.5	0.1 - 1	0.1 - 1	0.02 - 0.2	0.05 - 0.5	0.1 - 2	Control Valve Option Available
111	1010150	0.05 - 0.5	0.1 - 1	0.1 - 1	0.02 - 0.2	0.05 - 0.5	0.2 - 2	
112		0.1 - 1	0.2 - 2	0.2 - 2	0.05 - 0.5	0.1 - 1	0.4 - 4	
121	1010230	0.1 - 1	0.2 - 2	0.2 - 2	0.05 - 0.5	0.1 - 1	0.2 - 2	
122		0.2 - 2	0.4 - 4	0.4 - 4	0.1 - 1	0.2 - 2	0.8 - 8	
151	1515150	0.2 - 2	0.4 - 4	0.4 - 4	0.1 - 1	0.2 - 2	0.8 - 8	
152		0.5 - 5	1-10	1-10	0.3 - 3	0.5 - 5	2-20	
161	1515230	0.5 - 5	1-10	1-10	0.3 - 3	0.5 - 5	2-20	
162		1-10	2-20	2-20	0.5 - 5	1-10	4-40	
171	1515300	1-10	2-20	2-20	0.5 - 5	1-10	4-40	
172		1-15	3-30	3-30	1-10	1-15	6-60	

Capacity table for flowmeter selection (Tube code 221-510)							
Tube Code	Tube Ø x L	Float Type					Remarks
		Aluminum Conical Hollow	SS-304/316 Conical Hollow	PVC/Teflon Conical Hollow	SS-304/316 Conical Solid	PVC/Teflon Conical – Filled Guided Float	
		Min- Max LPM Air	Min- Max LPM Air	Min- Max LPM Air	Min- Max LPH Water	Min- Max LPH Water	
221	2222300	1.5-15	3-30	1.5-15	6-60	4-40	
222	2222300	2-20	5-60	2-20	10-120	6-60	
321	3232300	2-20	5-60	2-20	10-120	6-60	
322	3232300	3-30	8-80	3-30	15-150	10-100	
323	3232300	4-40	10-100	4-40	20-200	15-150	
324	3232300	6-60	15-150	6-60	30-300	20-200	
381	3835300		40-400		80-800	50-500	Guided Float construction
382	3834300		50-500		100-1000	60-600	
430	4336300		100-1000		200-2000	120-1200	
490	4940300		150-1500		300-3000	200-2000	
510	5140300		200-2000		400-4000	250-2500	



## CM Flowmeters (India) Pvt., Ltd.

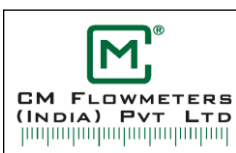
Plot-2, Phase-3, Kasba Industrial Estate, Kolkata-700107, India.

Ph: +91 33 2442 1456; email :sales@cmflowmeters.in; web: www.cmflowmeters.in

Available inlet and outlet connections (Standard)					
Tube code	Festo	Barbed Nipple	Screwed, Male/Female NPT/BSP	Inlet	Outlet
101, 111-112, 151-152 121-122, 161-162, 171-172	3-6mm	6-12mm OD	1/8"-3/8"	Rear	Top/Rear
221-222, 321-324	NA	12-25mm OD	1/2"-1"	Rear	Top
381-382, 430, 490, 510	NA	12-25mm OD	1/2"-1"	Rear	Top

ORDERING INFORMATION			
Features	Options	Features	Options
<b>Accuracy :</b>	5% FS (standard), 2% FS (Tube codes 100-172) 10% FS (Standard, 5%FS (Tube codes 221-882)	<b>Gland packing options:</b>	Neoprene (standard), Viton
<b>Connection size :</b>	See table above for options	<b>Body (wetted parts) :</b>	SS 314 (standard), SS 316
<b>Connection type :</b>	Inlet - Back entry Outlet - Top or Back	<b>FA Valve:</b>	Option for FA valve available for tube codes 111-172.
<b>Scale :</b>	Printed on tube, mm scale with chart	<b>Flow range/ Tube code :</b>	See Capacity table for flowmeter selection given above to select
<b>Service:</b>	Please indicate	<b>Special requirements:</b>	Logo, colour preference, etc.

**Calibration:** We can provide calibration certificate (batch or individual) with national traceability with our flowmeters if required. We also provide calibration services and calibrate/service flowmeters of any make.



## CM Flowmeters (India) Pvt., Ltd.

Plot-2, Phase-3, Kasba Industrial Estate, Kolkata-700107, India.

Ph: +91 33 2442 1456; email :sales@cmflowmeters.in; web: www.cmflowmeters.in