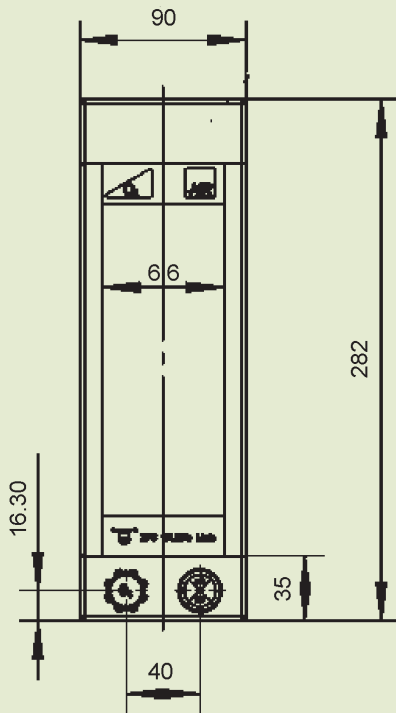
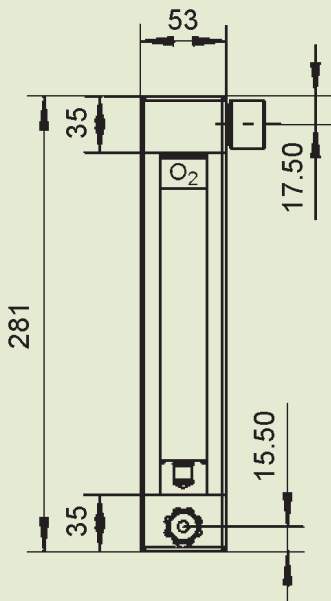




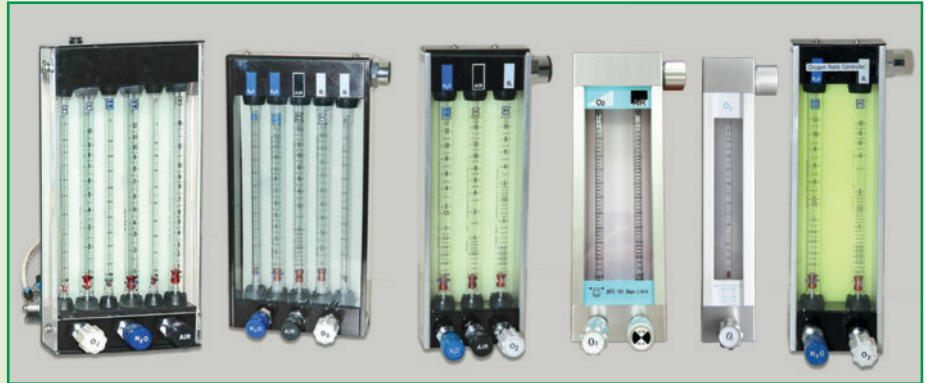
ANAESTHETIC ROTAMETER UNITS



Font view of 2 tube unit with fine control valve



Font view of 1 tube unit with fine control valve



Description:

Anaesthetic Rotameters are used for measuring the rate of flow of gases used for anaesthesia. The gases measured are Oxygen, Nitrous oxide, Carbon dioxide, Xenon, and Air

Anaesthetic Rotameters units with control valve system can be of 1 tube, 2 tubes, 3 tubes and so on as per user requirement. It comes as a complete unit for fitting on the Anaesthesia machine.

Features:

Accuracy	Compliant to ISO 5358, or ISO 15002, or VDI 3513 (upto G=2.5, lin=50%)
No. of Tubes	1-tube to 6-tubes available as standard
Tube length	Borosilicate glass, Standard 230mm. Other sizes on request (See tube catalogue)
Antistatic	Conductive tubes and bushes for static dissipation
Float	Anodised Aluminum, Red, rotating as standard.
Anti Hypoxia	2-tube to 6-tube versions are also available with Antihypoxia device.
FA valve	Available with Fine adjustment valves for accurate flow control
Flow Range	High flow tubes are available in ranges of 0-10, 0-12, 0-15 LPM Low flow tubes are available in ranges of 0-1 LPM Dual scale tubes available for expanded low range reading
Gases	Oxygen, Nitrous oxide, Carbon dioxide, Xenon, and Air
Connections	Inlet and outlet connections are available as per your choice. Most common are ISO taper with RH outlet, or 6mm Festo.
Background	Yellow green "Glow in the dark" for easy viewing
Body	Anodised aluminum, or powder coated, as per your choice.
Front	Front cover made from transparent acrylic sheet
Control Knobs	Colour and touch coded as per ISO 5358

Dimensions in mm (Approximate):

Code	Tube	Height	Width	Depth	Remarks
F.02.01.700	1 Tube	284	39	35	The standard dimensions are given here. Customised dimensions are also available.
F.02.01.710	1 Tube	281	53	35	
F.02.02.710	2 Tube	282	90	35	
F.02.02.010	2 Tube	300	63	37	The dimensions are without FA valve and inlet/outlet connections.
F.02.03.710	3 Tube	282	130	35	
F.02.05.010	5 Tube	305	150	45	
F.02.06.010	6 Tube	305	150	45	



CM Flowmeters (India) Pvt. Ltd.

Plot 2 Phase III Kasba Industrial Estate EM Bypass Kolkata 700 107 INDIA
Phone : 91 33 2442 1456, 2443 0201 Fax : 91 33 2443 0201
Email : sales@cmflowmeters.in URL : www.cmflowmeters.in