



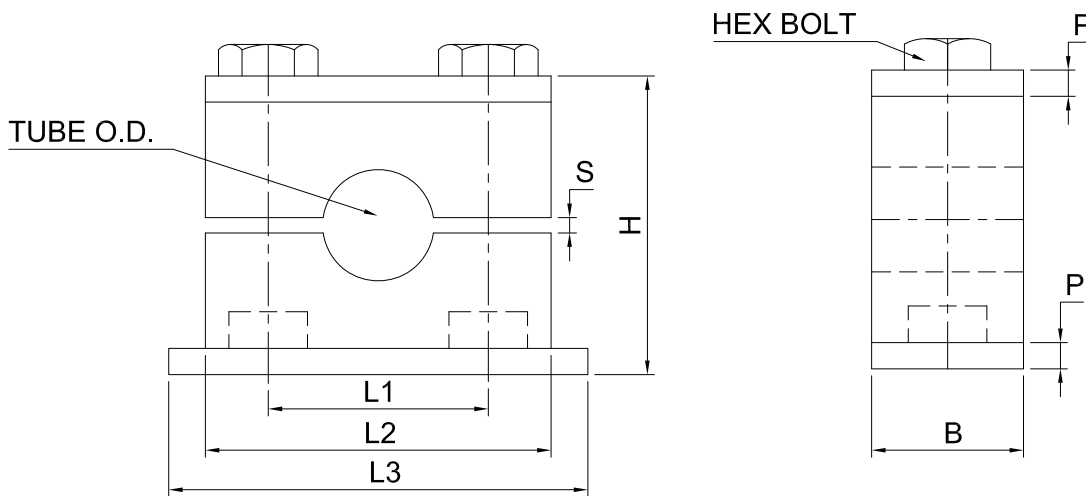
PIPE CLAMPS LIGHT SERIES

Features & Description

Light duty pipe clamps are made out from polypropylene material. polypropylene material having good strength and mild steel plates. This pipe clamps are more suitable where hydraulics pipelines are required to be straight in short following ranges as well as long length. Pipe clamps are available in following ranges.



Unit Dimensions



PCS	GROUP	TUBE O.D.	L1	L2	L3	B	H	P	S	HEX BOLT
	GR-1	6 8 10	20	36	45	30	32	3	1	M6X30
	GR-2	12 14 16 18	26	42	55	30	38	3	1	M6X35
	GR-3	20 22 25	33	48	60	30	41	3	1	M6X40
	+ GR-4	28 30	40	55	68	30	48	3	1	M6X45
	GR-5	33 35 38 42	52	71	80	30	65	3	1	M6X60
	* GR-6	48 50 60 65	90	115	130	45	95	4	2	M10X90

* Heavy duty mould

JACKTECH HYDRAULICS

Plot no.-433 G.I.D.C. Odhav
Opp. Bhiksuk gruh
Ahmedabad-382415 INDIA

Phone : +91-(0)79 22892302,03,04

Fax : +91-(0)79 22892305

E-mail : info@jacktechhyd.com

Website : www.jacktechhyd.com



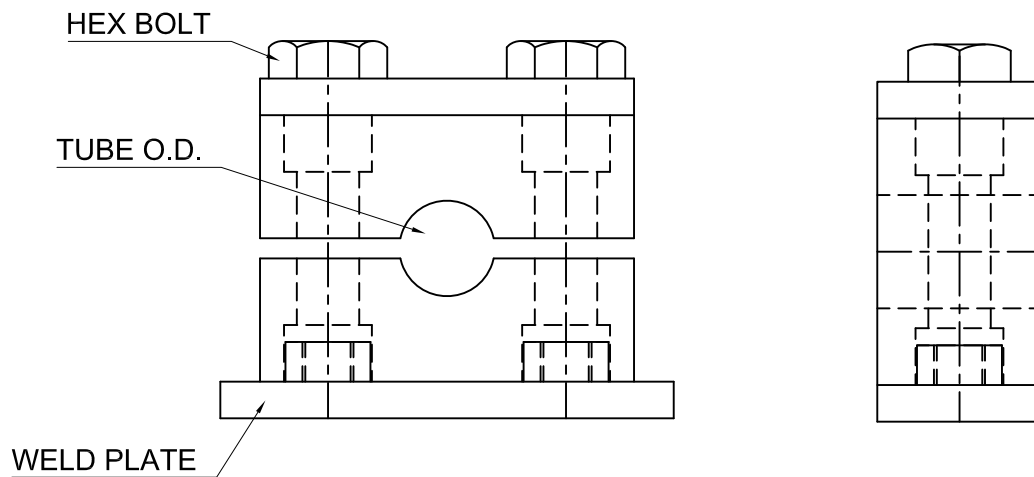
PIPE CLAMPS HEAVY SERIES

Features & Description

Heavy duty pipe clamps are made out from polypropylene material. polypropylene material having good strength and mild steel plates. This pipe clamps are more suitable where hydraulics pipelines are required to be straight in short following ranges as well as long length. Pipe clamps are available in following ranges.



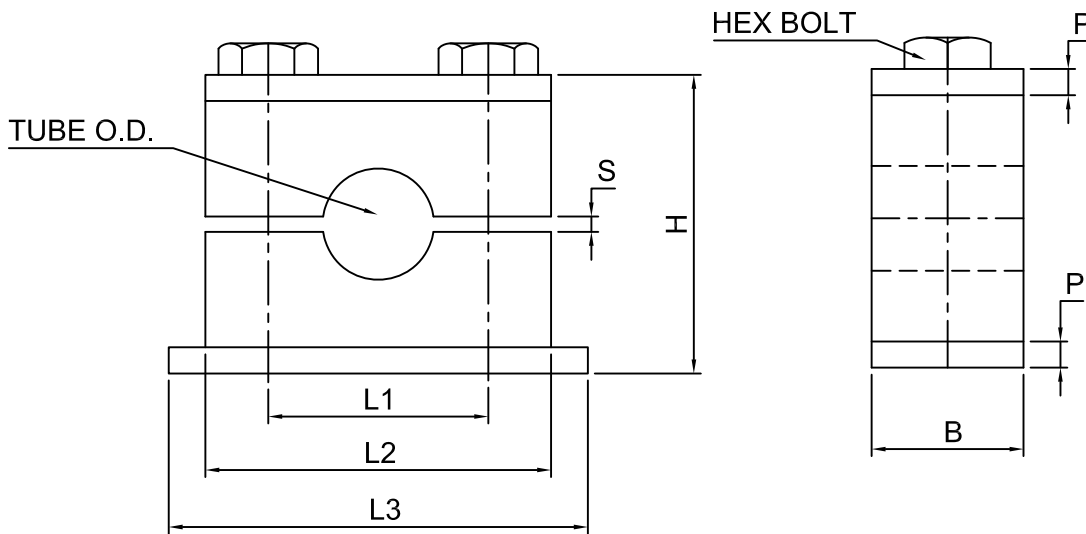
Section





PIPE CLAMPS HEAVY SERIES

Unit Dimensions



PCH	TUBE O.D.	L1	L2	L3	B	H	P	S	HEX BOLT
GR-1	10 12 16	33	55	74	30	40	5 *	1	M10X38
GR-2	18 20 22 25 28	45	70	86	30	55	5 *	1.5	M10X50
GR-3	30 33 35 38 42	60	85	100	30	68	5 *	2	M10X65
GR-4	48 50 60 65	90	115	130	45	107	10	3	M10X100 *
GR-5	75 80 90	120	150	180	60	135	10	4	M12X130 *
GR-6	89 100 114 127 133	167	206	226	80	195	15	5	M20X190
GR-7	133 141 152 165 168	205	250	310	90	230	15	5	M20X230 *
GR-8	168 178 194 216	265	320	340	115	310	25	10	M30X300
GR-9	219 244 273 324	395	466	520	150	455	30	10	M30X450