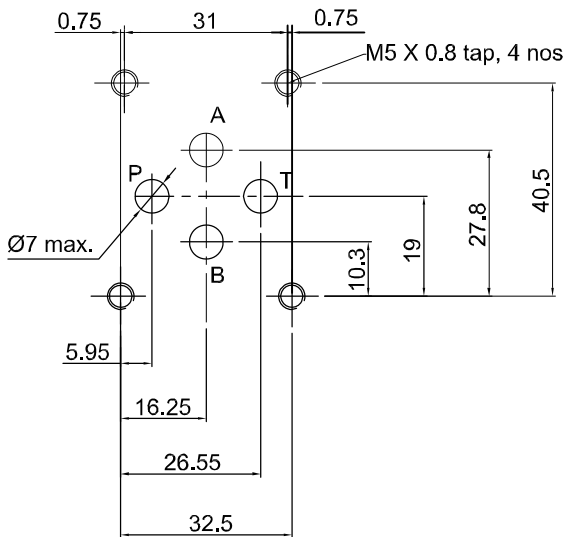


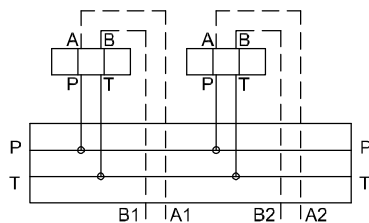
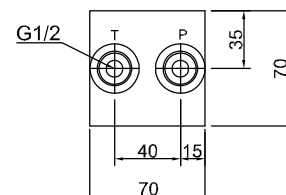
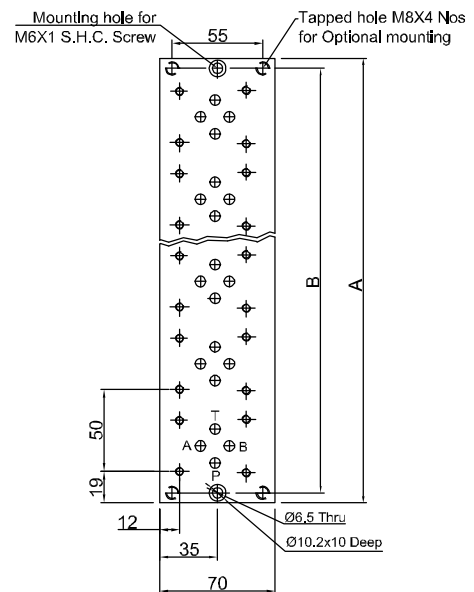
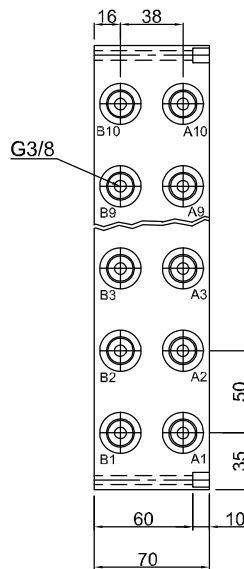
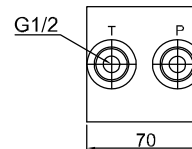


MANIFOLD FOR D.C. VALVE
MB6 X 3/8 SERIES

Unit Dimensions



Interface detail.



Hydraulic circuit

| NO.OF STATION | 1* | 2 | 3 | 4 | 5 | 6 | 7 | 8 | 9 |
|---------------|-------------|------------|------------|------------|------------|------------|------------|------------|------------|
| Modal No. | MB6-3/8" | MB6-3/8" | MB6-3/8" | MB6-3/8" | MB6-3/8" | MB6-3/8" | MB6-3/8" | MB6-3/8" | MB6-3/8" |
| Order Code | MB-A-08-01* | MB-A-08-02 | MB-A-08-03 | MB-A-08-04 | MB-A-08-05 | MB-A-08-06 | MB-A-08-07 | MB-A-08-08 | MB-A-08-09 |
| A | 70 | 120 | 170 | 220 | 270 | 320 | 370 | 420 | 470 |
| B | 58 | 108 | 158 | 208 | 258 | 308 | 358 | 408 | 458 |

Note:- * P & T Connection size- 3/8"BSP

JACKTECH HYDRAULICS

Plot no.-433 G.I.D.C. Odhav
Opp. Bhlksuk gruh
Ahmedabad-382415 INDIA

Phone : +91-(0)79 22892302,03,04

Fax : +91-(0)79 22892305

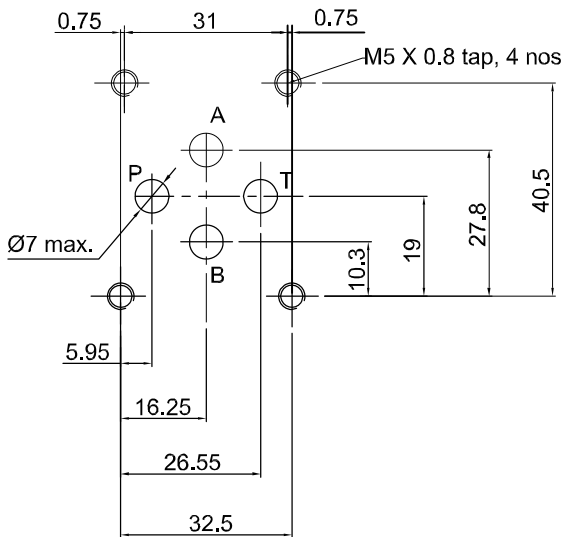
E-mail : info@jacktechhyd.com

Website : www.jacktechhyd.com

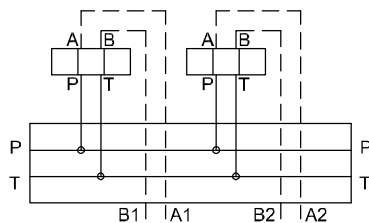
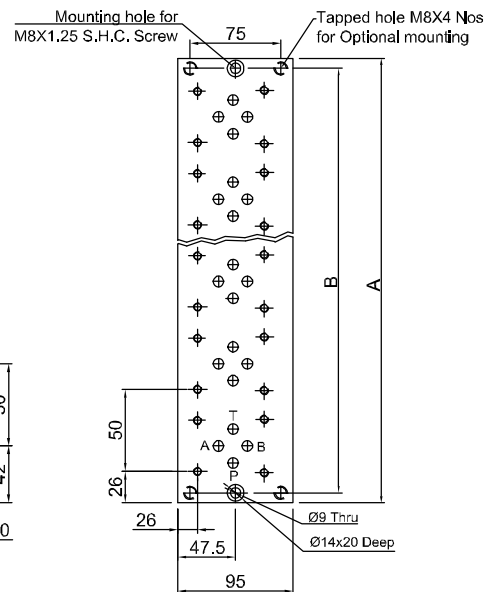
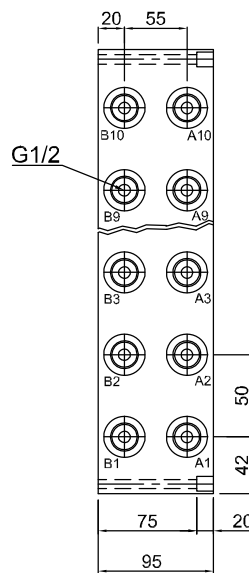
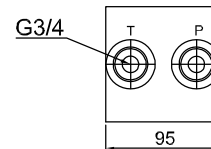


MANIFOLD FOR D.C. VALVE
MB6 X 1/2 SERIES

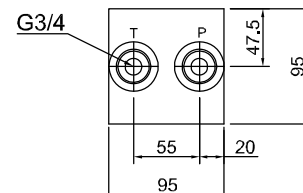
Unit Dimensions



Interface detail.



Hydraulic circuit



| NO.OF STATION | 1* | 2 | 3 | 4 | 5 | 6 | 7 | 8 | 9 |
|---------------|-------------|------------|------------|------------|------------|------------|------------|------------|------------|
| Modal No. | MB6-1/2" | MB6-1/2" | MB6-1/2" | MB6-1/2" | MB6-1/2" | MB6-1/2" | MB6-1/2" | MB6-1/2" | MB6-1/2" |
| Order Code | MB-A-09-01* | MB-A-09-02 | MB-A-09-03 | MB-A-09-04 | MB-A-09-05 | MB-A-09-06 | MB-A-09-07 | MB-A-09-08 | MB-A-09-09 |
| A | 83 | 133 | 183 | 233 | 283 | 333 | 383 | 433 | 483 |
| B | 63 | 113 | 163 | 213 | 263 | 313 | 363 | 413 | 463 |

Note:- * P & T Connection size- 1/2"BSP

JACKTECH HYDRAULICS

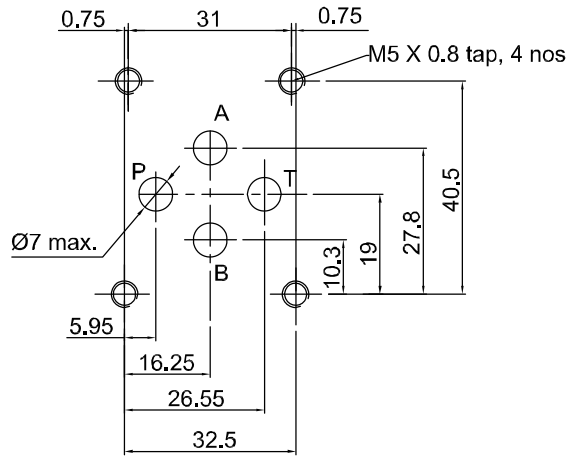
Plot no.-433 G.I.D.C. Odhav
Opp. Bhlksuk gruh
Ahmedabad-382415 INDIA

Phone : +91-(0)79 22892302,03,04
Fax : +91-(0)79 22892305
E-mail : info@jacktechhyd.com
Website : www.jacktechhyd.com



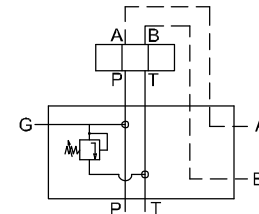
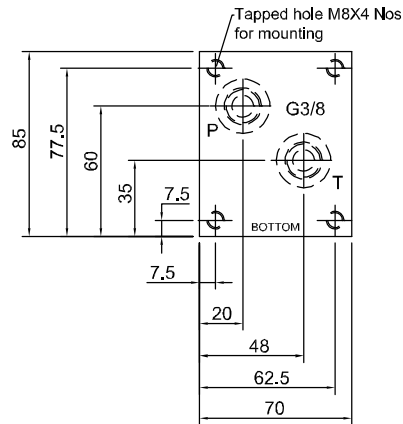
MANIFOLD
MB6 X D6K X 3/8"

Unit Dimensions

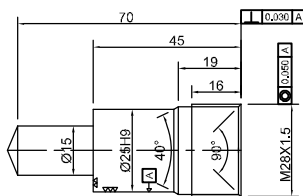
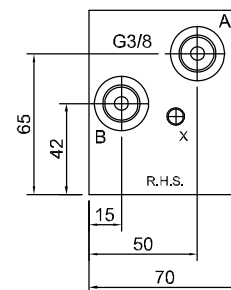
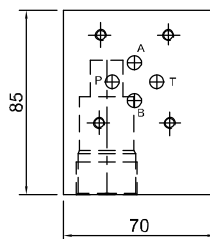
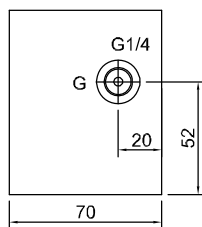


| | |
|------------|----------------------|
| Modal No. | MB6 X D6K X 3/8" BSP |
| Order Code | MB-A-01-01 |

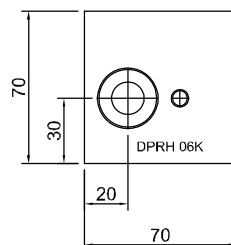
Interface detail.



Hydraulic circuit



DPRH 06K Detail



JACKTECH HYDRAULICS

Plot no.-433 G.I.D.C. Odhav
Opp. Bhiksuk gruh
Ahmedabad-382415 INDIA

Phone : +91-(0)79 22892302,03,04

Fax : +91-(0)79 22892305

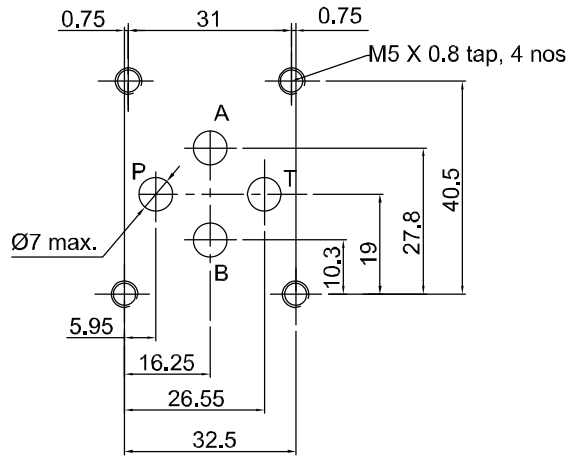
E-mail : info@jacktechhyd.com

Website : www.jacktechhyd.com



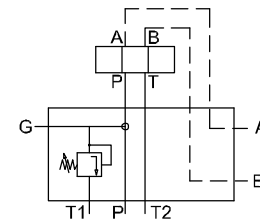
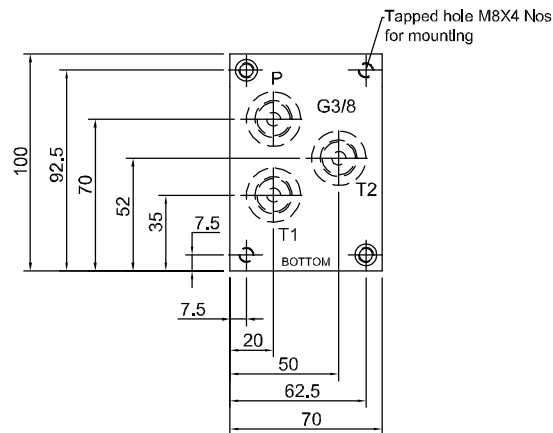
MANIFOLD
MB6 X D6K X 3/8"

Unit Dimensions

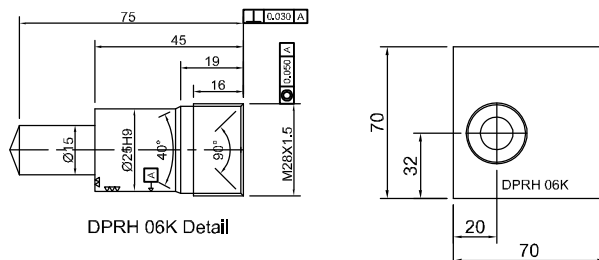
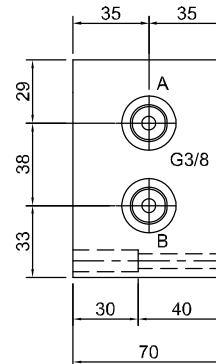
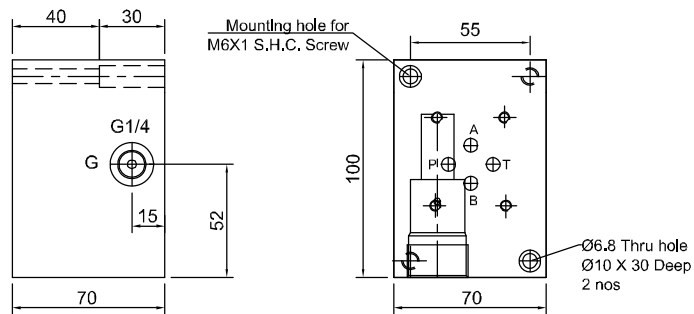


Interface detail.

| | |
|------------|----------------------|
| Modal No. | MB6 X D6K X 3/8" BSP |
| Order Code | MB-A-01-02 |



Hydraulic circuit



DPRH 06K Detail

JACKTECH HYDRAULICS

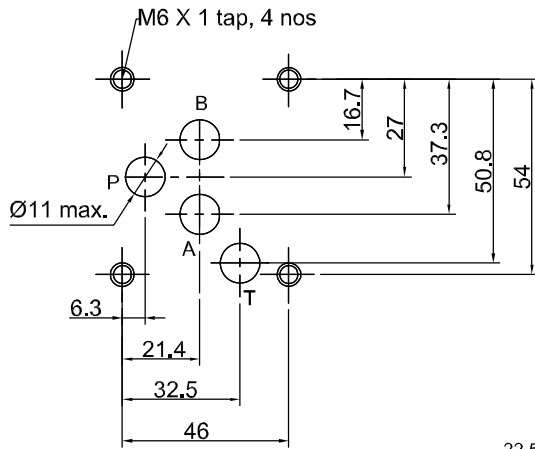
Plot no.-433 G.I.D.C. Odhav
Opp. Bhiksuk gruh
Ahmedabad-382415 INDIA

Phone : +91-(0)79 22892302,03,04
Fax : +91-(0)79 22892305
E-mail : info@jacktechhyd.com
Website : www.jacktechhyd.com

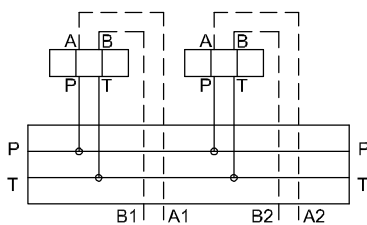
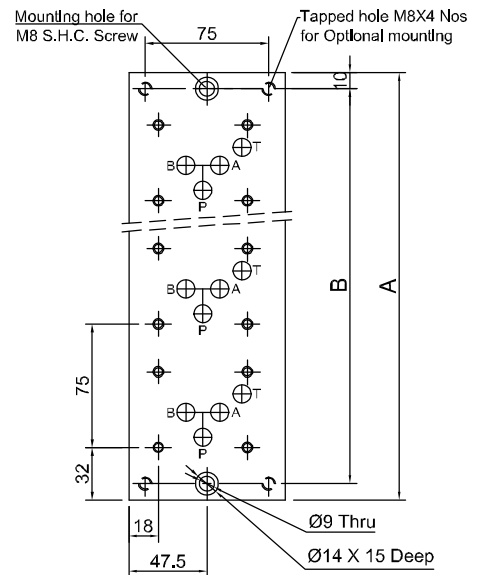
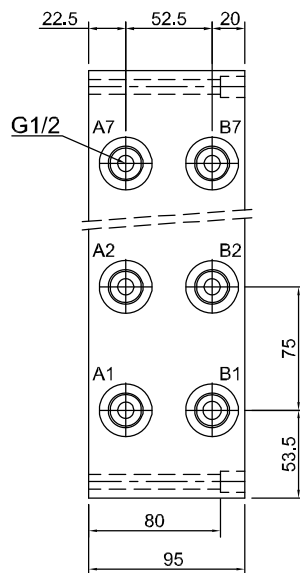
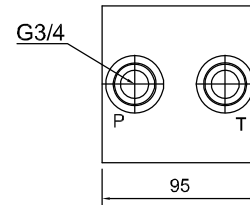
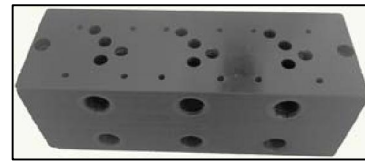


MANIFOLD FOR D.C. VALVE
MB10 X 1/2 SERIES

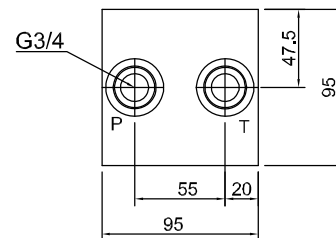
Unit Dimensions



Interface detail.



Hydraulic circuit



| NO.OF STATION | 1* | 2 | 3 | 4 | 5 | 6 | 7 |
|---------------|-------------|------------------------|------------------------|------------------------|------------------------|------------------------|------------------------|
| Modal No. | MB10-1/2" | MB10-1/2" ² | MB10-1/2" ³ | MB10-1/2" ⁴ | MB10-1/2" ⁵ | MB10-1/2" ⁶ | MB10-1/2" ⁷ |
| Order Code | MB-A-15-01* | MB-A-15-02 | MB-A-15-03 | MB-A-15-04 | MB-A-15-05 | MB-A-15-06 | MB-A-15-07 |
| A | 110 | 185 | 260 | 335 | 410 | 485 | 560 |
| B | 90 | 165 | 240 | 315 | 390 | 465 | 540 |

Note:- * P & T Connection size- 1/2"BSP

JACKTECH HYDRAULICS

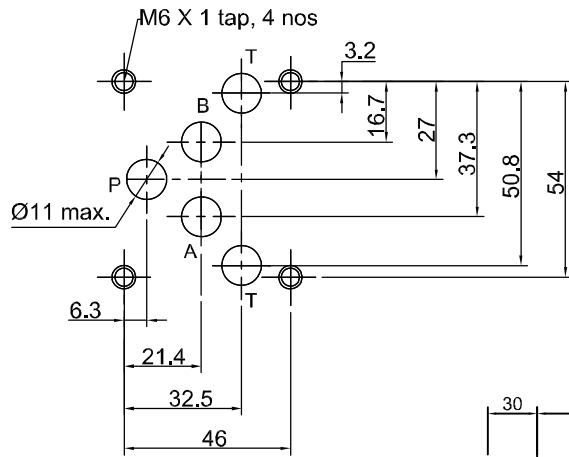
Plot no.-433 G.I.D.C. Odhav
Opp. Bhiksuk gruh
Ahmedabad-382415 INDIA

Phone : +91-(0)79 22892302,03,04
Fax : +91-(0)79 22892305
E-mail : info@jacktechhyd.com
Website : www.jacktechhyd.com

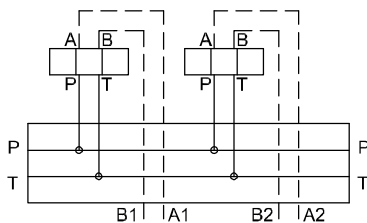
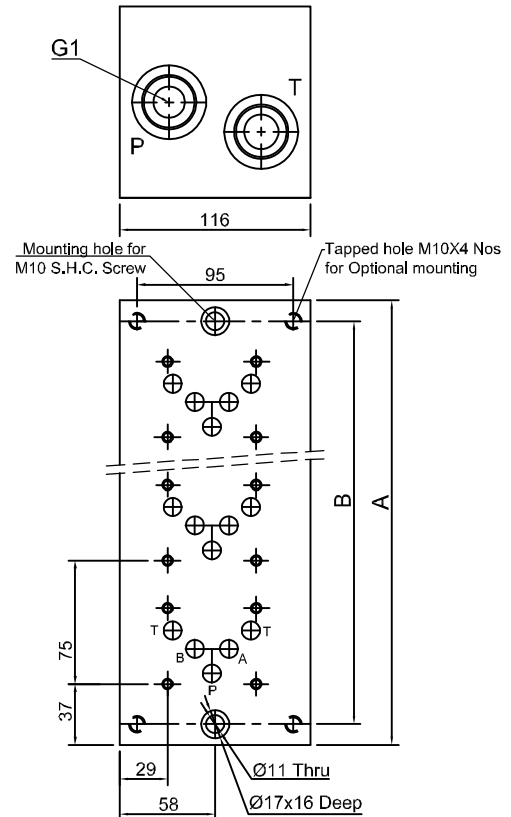
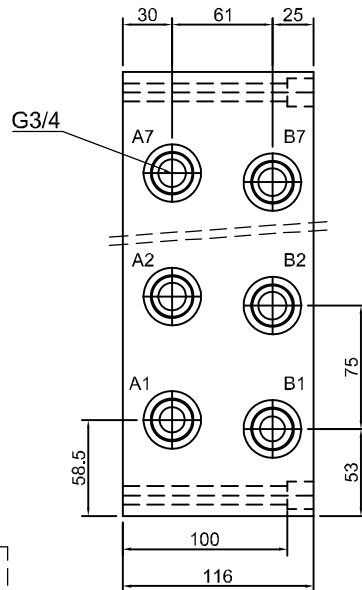


MANIFOLD FOR D.C. VALVE
MB10 X 3/4 SERIES

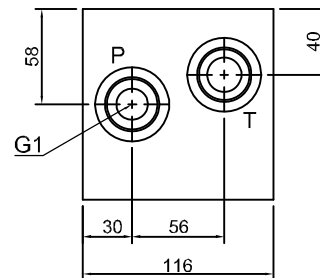
Unit Dimensions



Interface detail.



Hydraulic circuit



| NO.OF STATION | 1* | 2 | 3 | 4 | 5 | 6 | 7 |
|---------------|-------------|------------------------|------------------------|------------------------|------------------------|------------------------|------------------------|
| Modal No. | MB10-3/4" | MB10-3/4" ² | MB10-3/4" ³ | MB10-1/2" ⁴ | MB10-3/4" ⁵ | MB10-3/4" ⁶ | MB10-3/4" ⁷ |
| Order Code | MB-A-16-01* | MB-A-16-02 | MB-A-16-03 | MB-A-16-04 | MB-A-16-05 | MB-A-16-06 | MB-A-16-07 |
| A | 120 | 195 | 270 | 345 | 420 | 495 | 570 |
| B | 95 | 170 | 245 | 320 | 395 | 470 | 545 |

Note:- * P & T Connection size- 3/4"BSP

JACKTECH HYDRAULICS

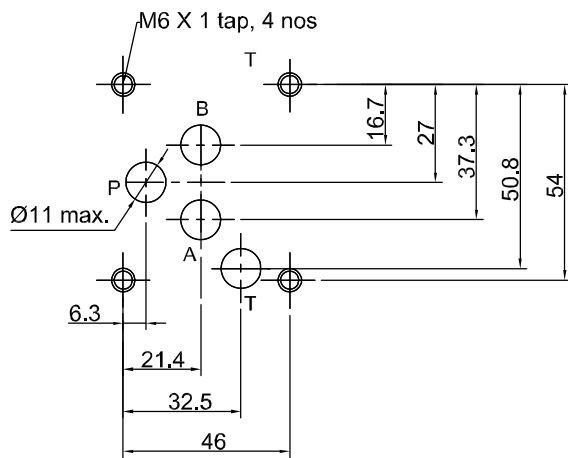
Plot no.-433 G.I.D.C. Odhav
Opp. Bhiksuk gruh
Ahmedabad-382415 INDIA

Phone : +91-(0)79 22892302,03,04
Fax : +91-(0)79 22892305
E-mail : info@jacktechhyd.com
Website : www.jacktechhyd.com

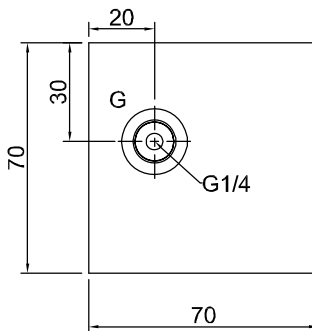


MANIFOLD FOR D.C. VALVE
MB10 X D6K X 3/8"

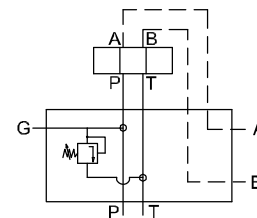
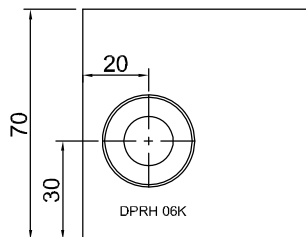
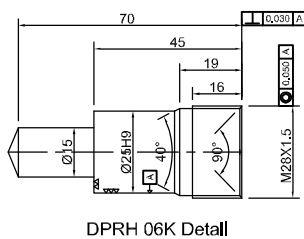
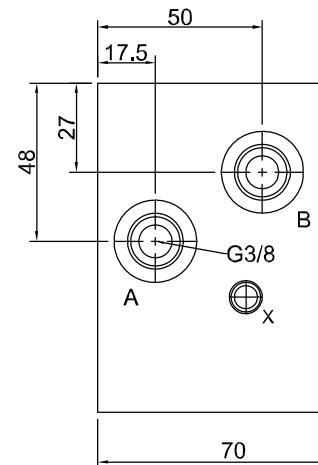
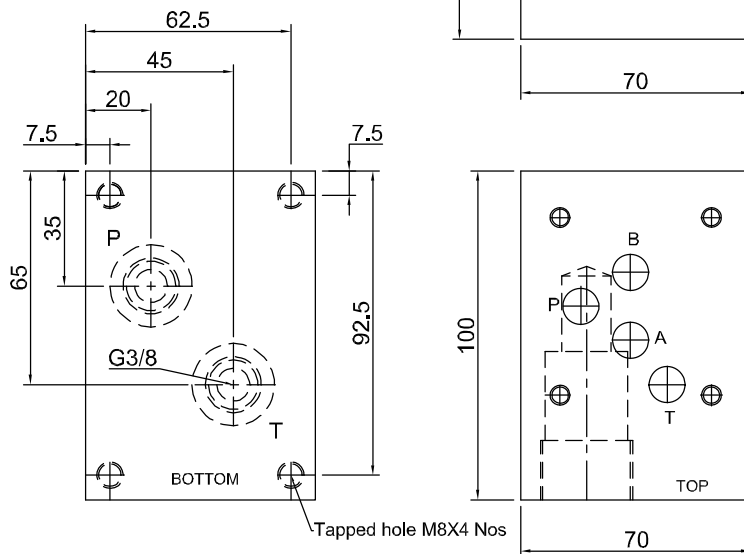
Unit Dimensions



Interface detail.



| | |
|------------|-----------------------|
| Modal No. | MB10 X D6K X 3/8" BSP |
| Order Code | MB-A-10-01 |



Hydraulic circuit

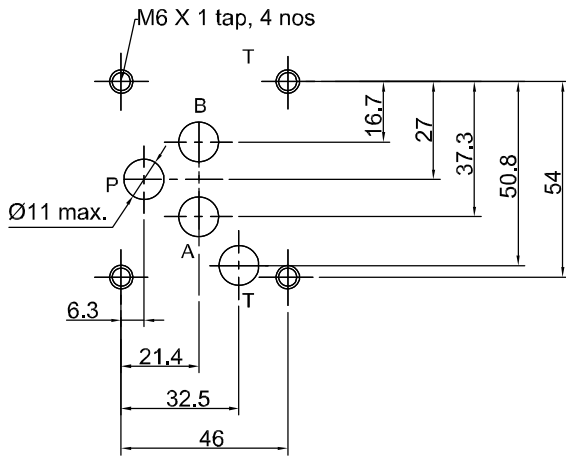
JACKTECH HYDRAULICS

Plot no.-433 G.I.D.C. Odhav
Opp. Bhlksuk gruh
Ahmedabad-382415 INDIA

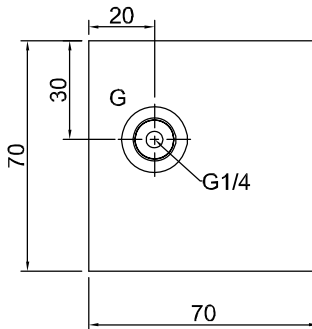


MANIFOLD FOR D.C. VALVE
MB10 X D6K X 1/2"

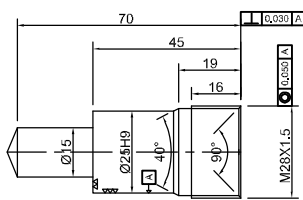
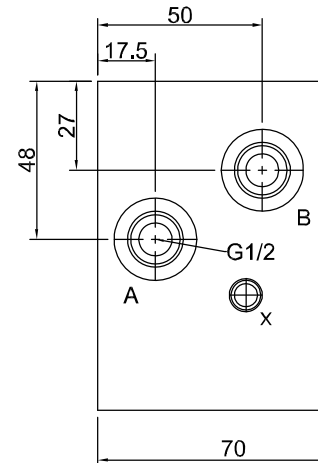
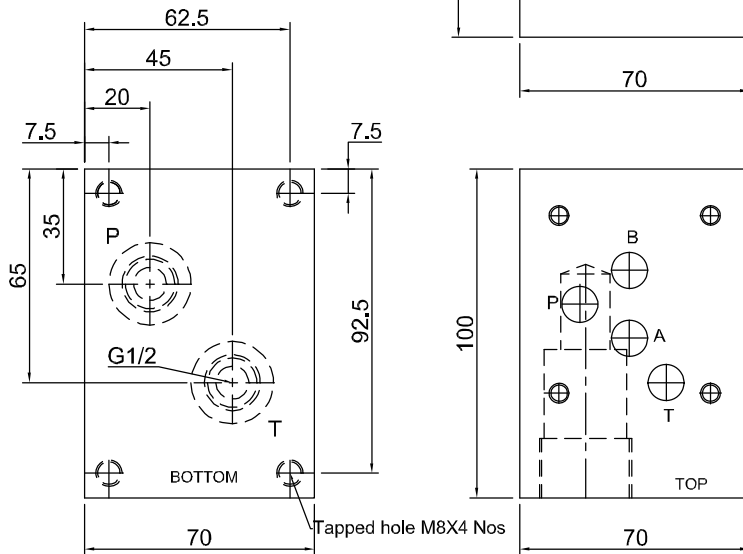
Unit Dimensions



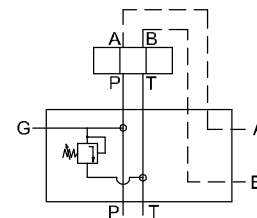
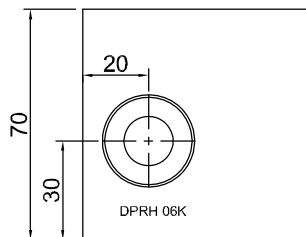
Interface detail.



| | |
|------------|-----------------------|
| Modal No. | MB10 X D6K X 1/2" BSP |
| Order Code | MB-A-10-02 |



DPRH 06K Detail



Hydraulic circuit

JACKTECH HYDRAULICS

Plot no.-433 G.I.D.C. Odhav
Opp. Bhlksuk gruh
Ahmedabad-382415 INDIA

Phone : +91-(0)79 22892302,03,04

Fax : +91-(0)79 22892305

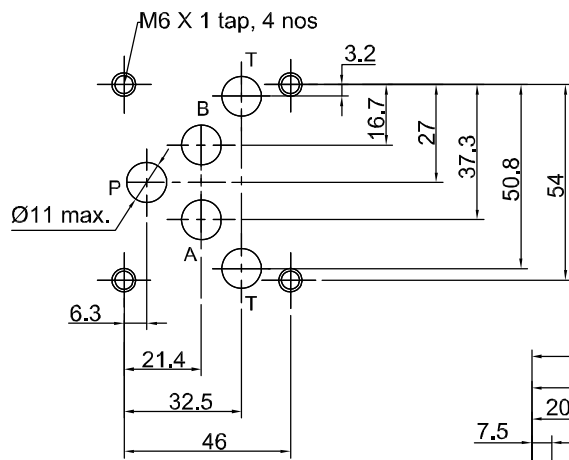
E-mail : info@jacktechhyd.com

Website : www.jacktechhyd.com

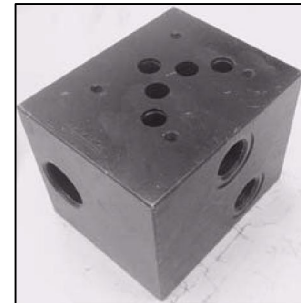


MANIFOLD FOR D.C. VALVE
MB10 X D6K X 1/2"

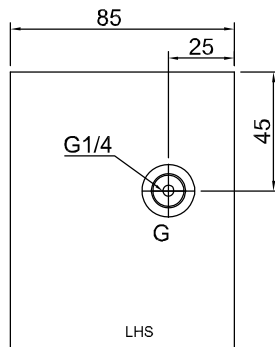
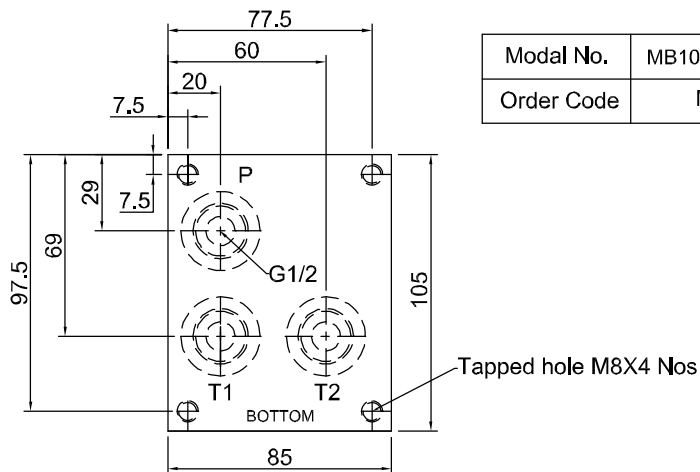
Unit Dimensions



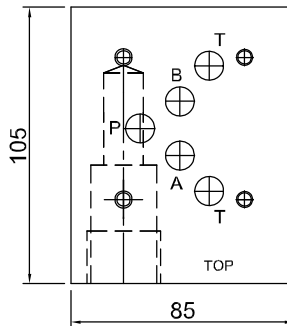
Interface detail.



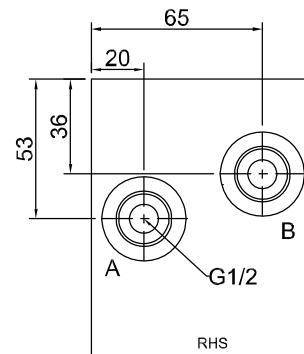
| | |
|------------|-----------------------|
| Modal No. | MB10 X D6K X 1/2" BSP |
| Order Code | MB-A-10-03 |



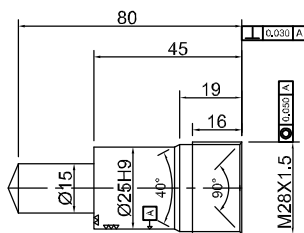
LHS



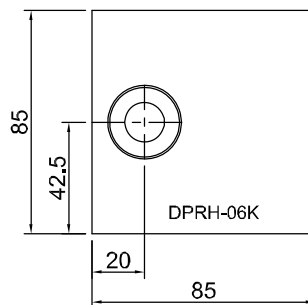
TOP



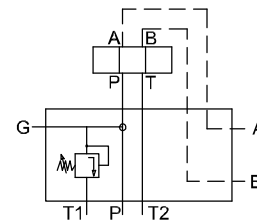
RHS



DPRH 06K Detail



DPRH-06K

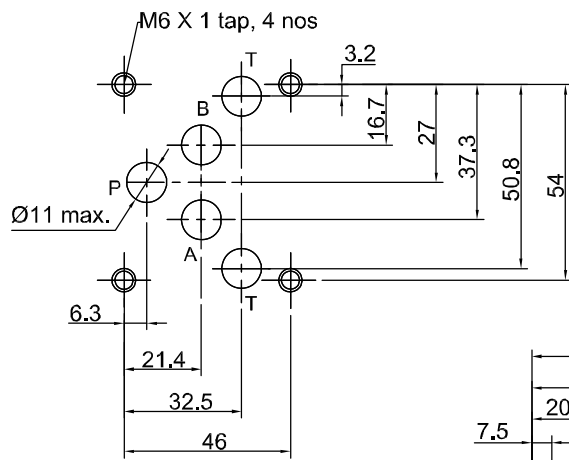


Hydraulic circuit

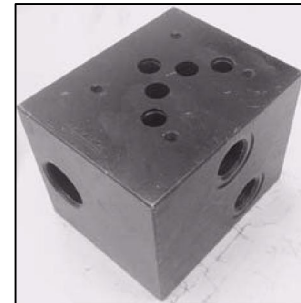


MANIFOLD FOR D.C. VALVE
MB10 X D10K X 1/2"

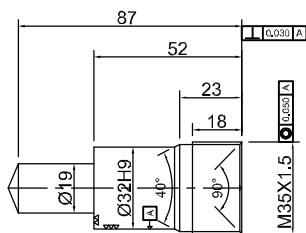
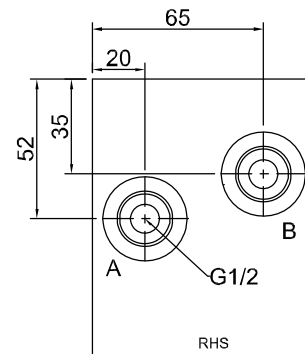
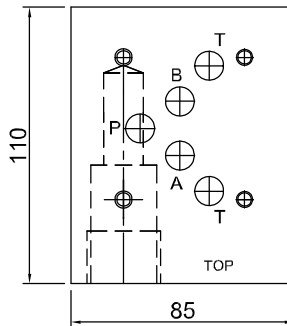
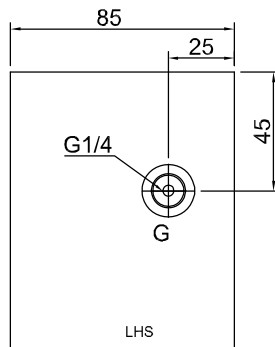
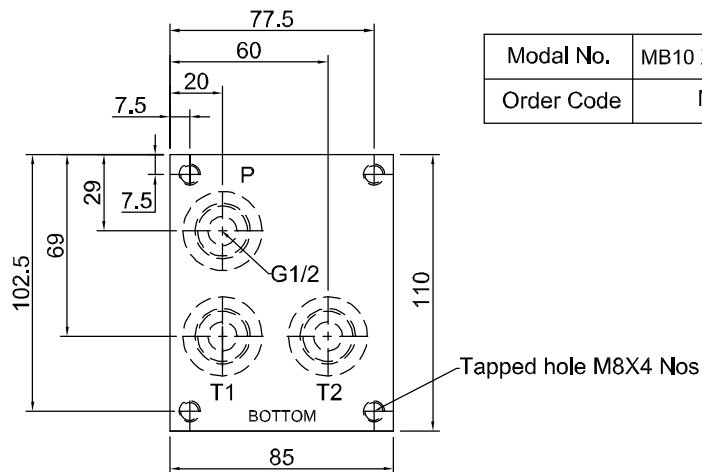
Unit Dimensions



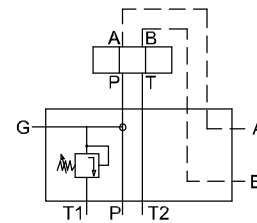
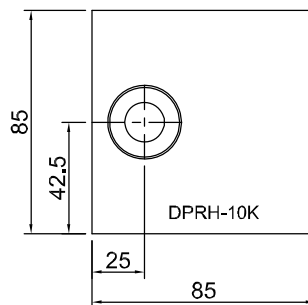
Interface detail.



| | |
|------------|------------------------|
| Modal No. | MB10 X D10K X 1/2" BSP |
| Order Code | MB-A-10-04 |



DPRH 10K Detail

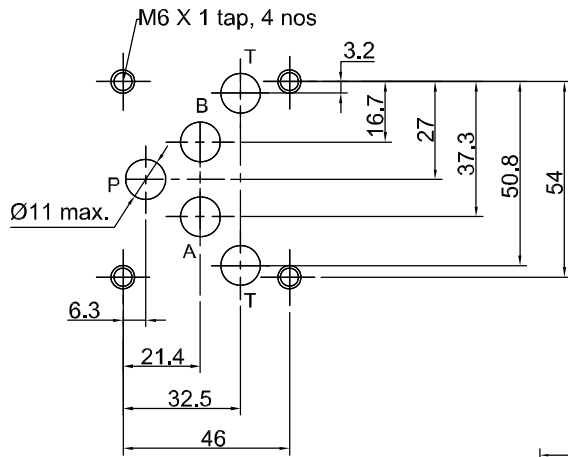


Hydraulic circuit

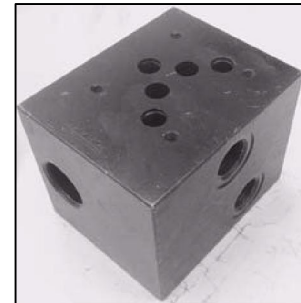


MANIFOLD FOR D.C. VALVE
MB10 X D10K X 3/4"

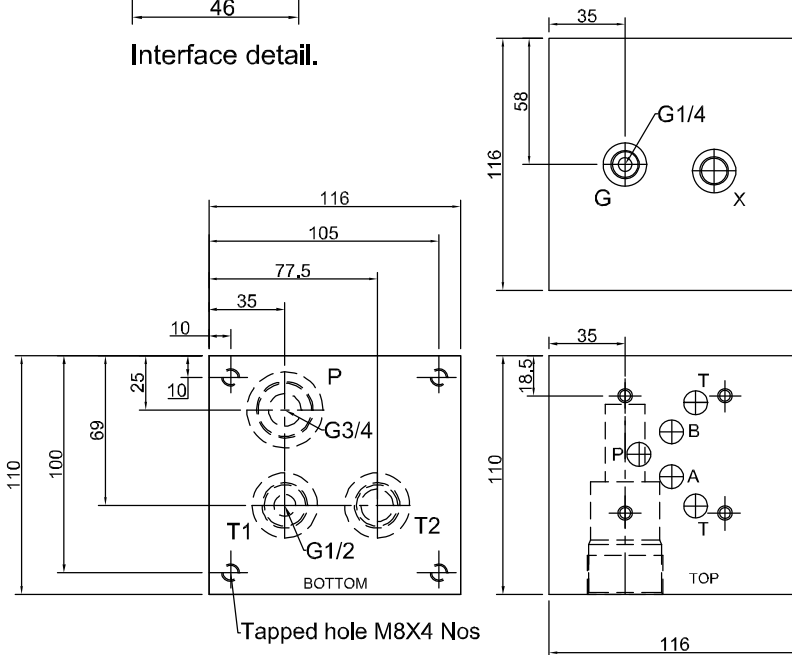
Unit Dimensions



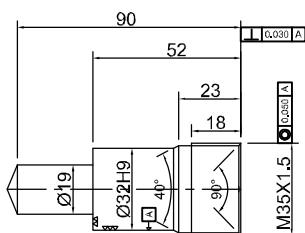
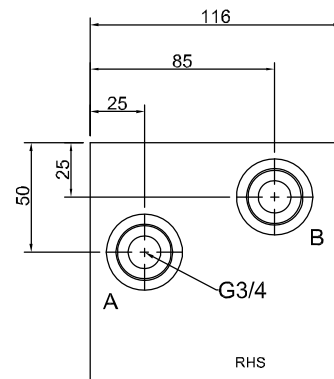
Interface detail.



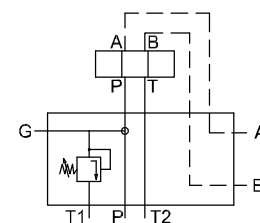
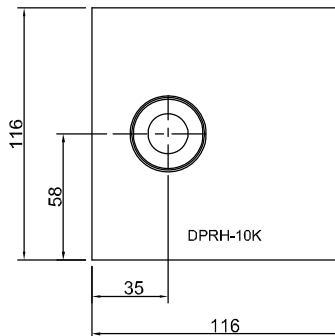
| | |
|------------|------------------------|
| Modal No. | MB10 X D10K X 3/4" BSP |
| Order Code | MB-A-10-06 |



Tapped hole M8X4 Nos



DPHR 10K Detail



Hydraulic circuit

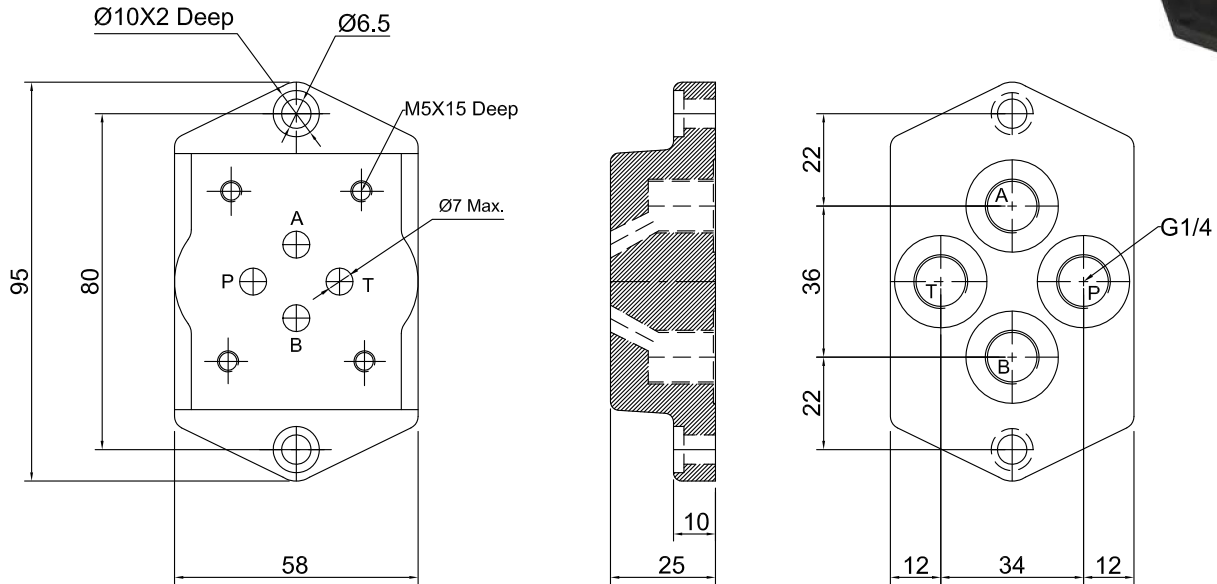


SUBPLATE NG 06

Page - 1/6
Release 04/2015

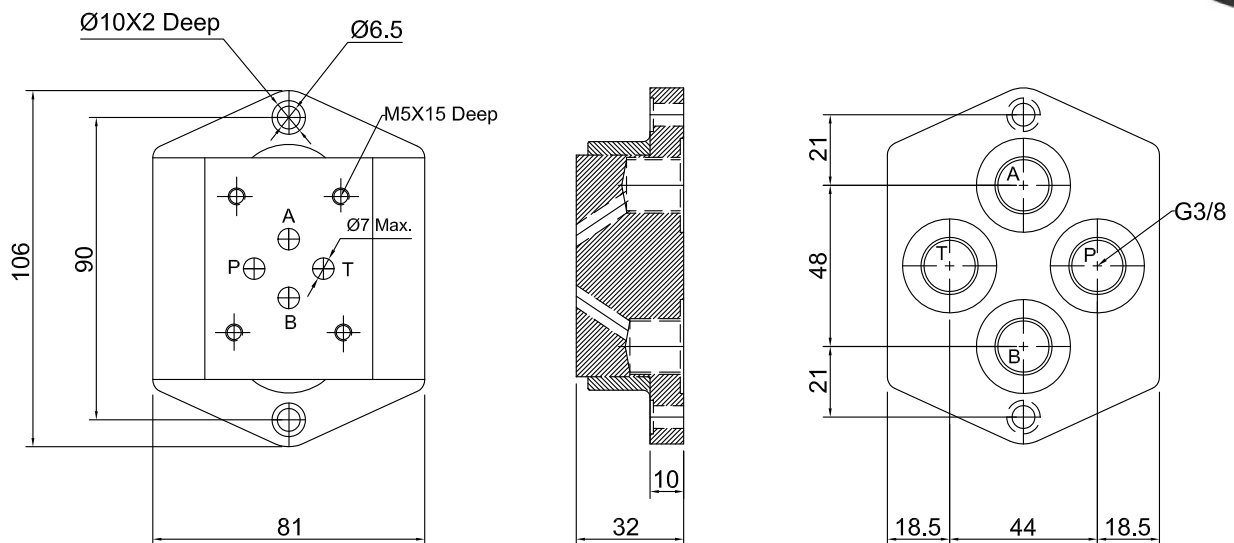
Unit Dimensions

SUBPLATE:- NG- 06 X 1/4" BSP



Unit Dimensions

SUBPLATE:- NG- 06 X 3/8" BSP

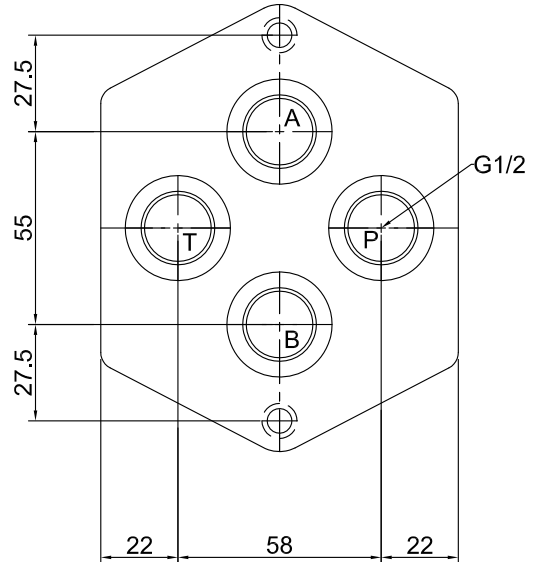
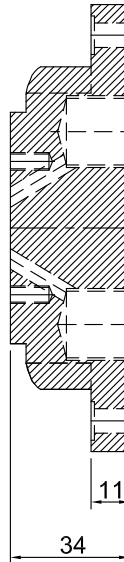
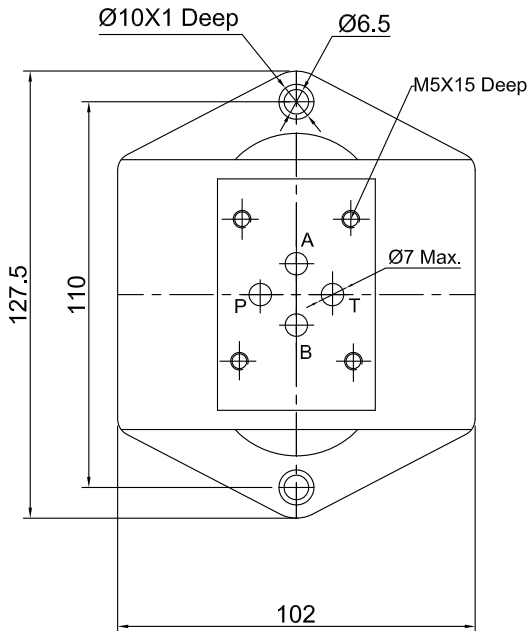




SUBPLATE NG 06 & NG 10

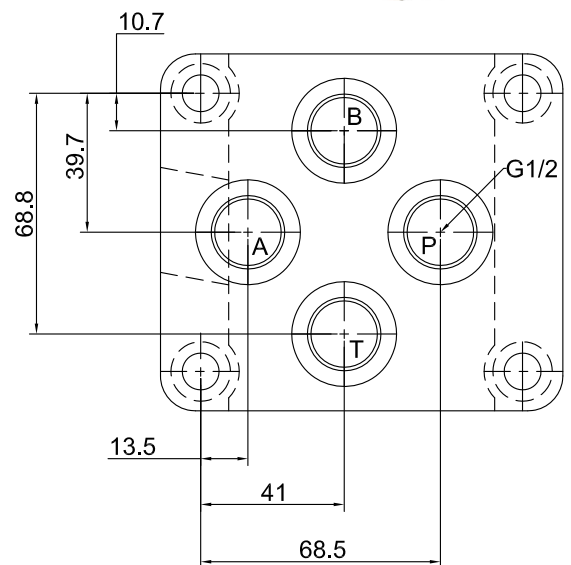
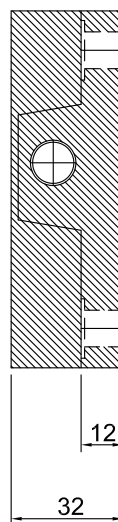
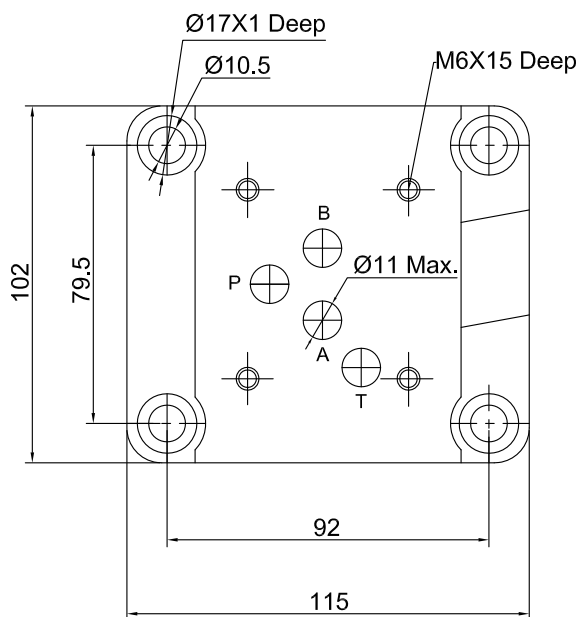
Unit Dimensions

SUBPLATE:- NG- 06 X 1/2" BSP



Unit Dimensions

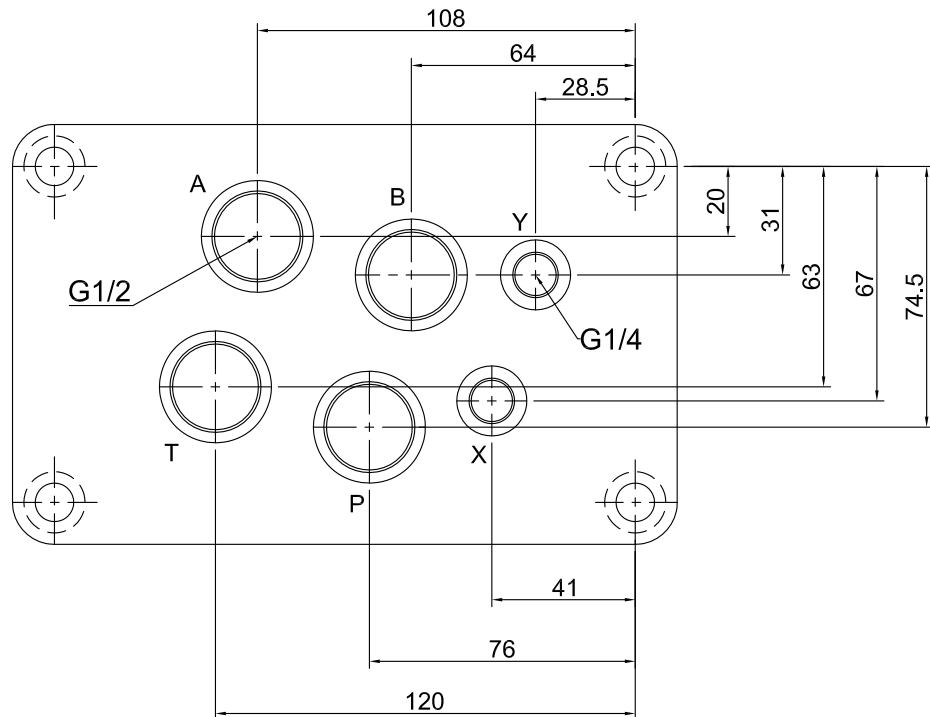
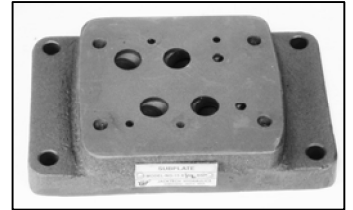
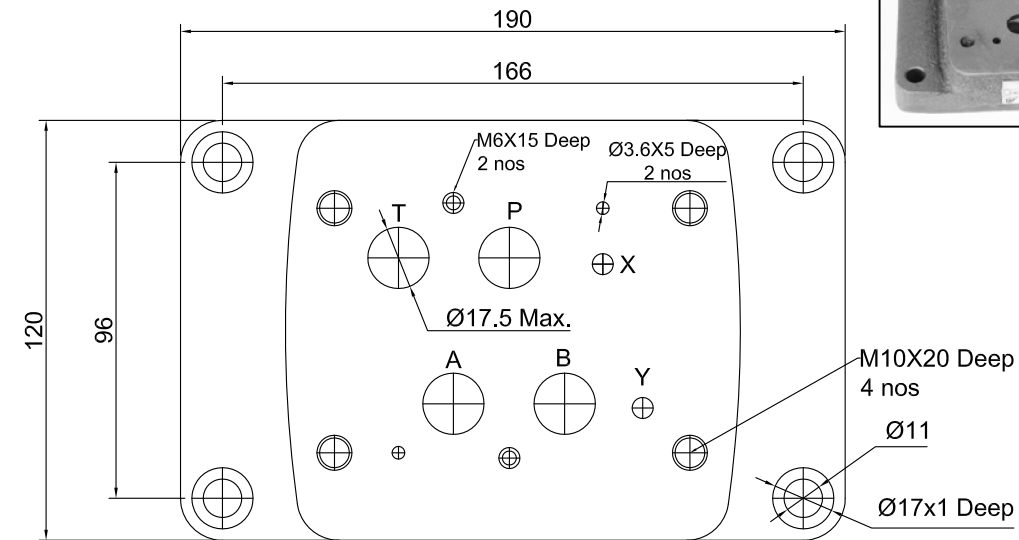
SUBPLATE:- NG- 10 X 1/2" BSP





SUBPLATE NG 16

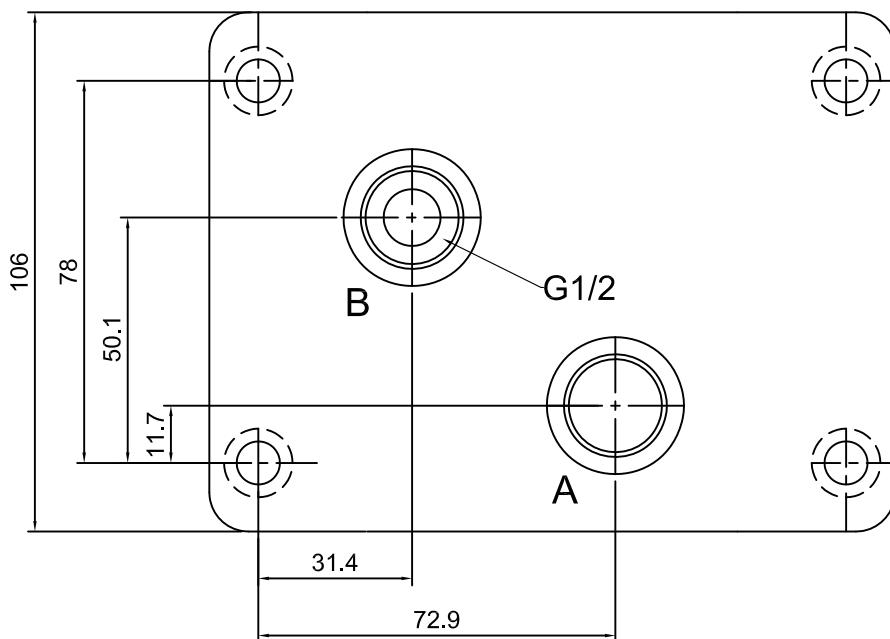
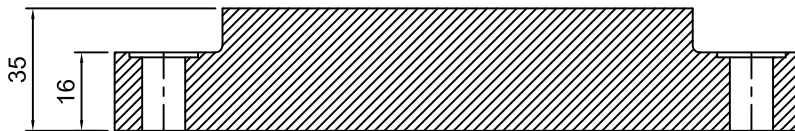
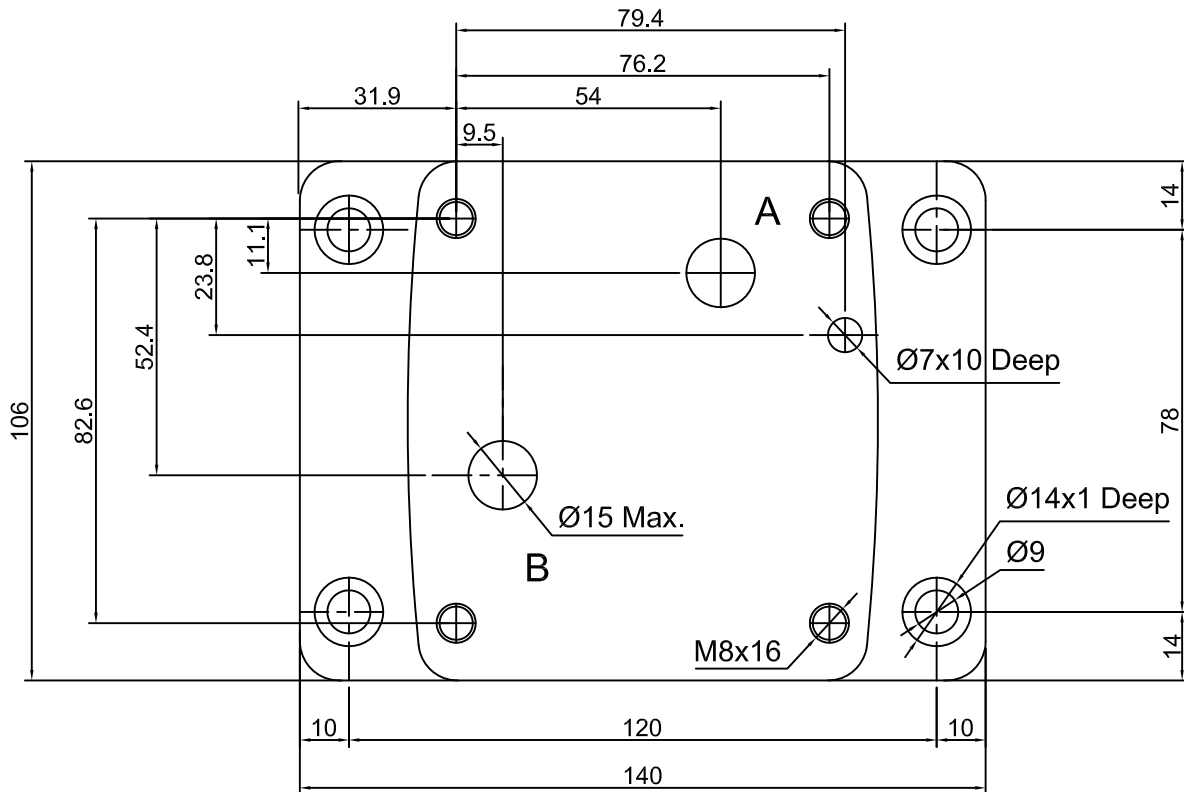
Unit Dimensions





SUBPLATE
FCG 02

Unit Dimensions





SUBPLATE FCG 03

Page - 6/6
Release 04/2015

Unit Dimensions

