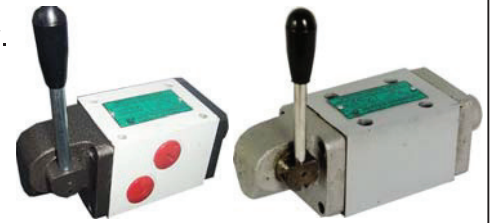




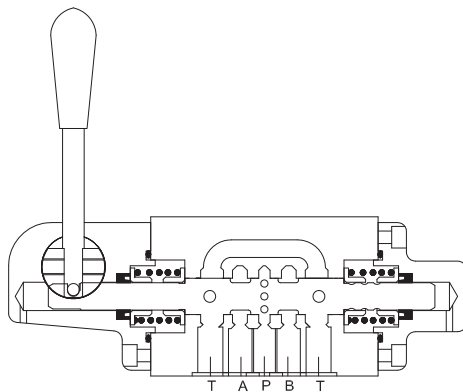
# LEVER OPERATED DIRECTION CONTROL VALVE DL10

## Description

Completely encapsulated mechanism for protection against dirt.  
Five chamber design for better reduction in dynamic forces and longer valve life. Two mounting styles -- Threaded port & Subplate body.  
Available as spring centred, spring off-set or detented model.  
Operating head can be rotated by 90° x 4 around spool axis for flexibility in mounting. Valve mounting interface conforms to International and National Standards. Port configuration conforms to Factory Standards.



## Section

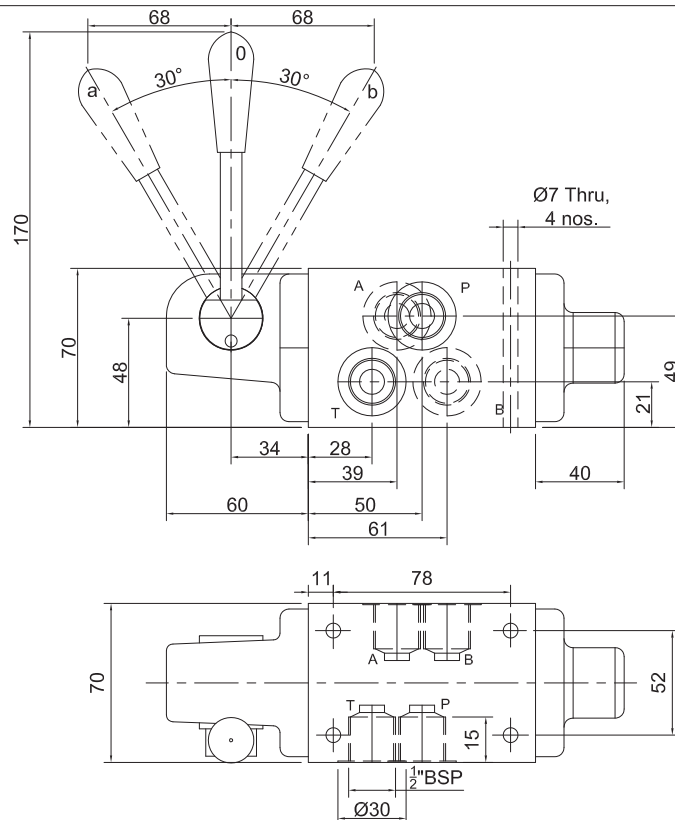


### Hydraulics Symbol

- 2 position detented
- 2 position spring offset
- 2 position detented
- 2 position spring centred

## Unit Dimensions

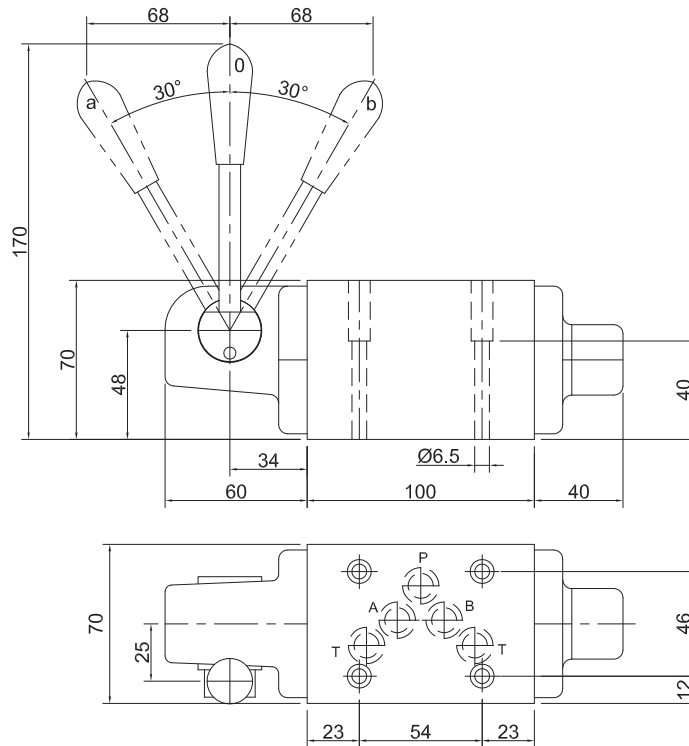
Threaded port body





**LEVER OPERATED  
DIRECTION CONTROL VALVE  
DL10**

**Unit Dimensions**



O ring size at port P, A, B & T : 12i.d. x 2 c.s.d.

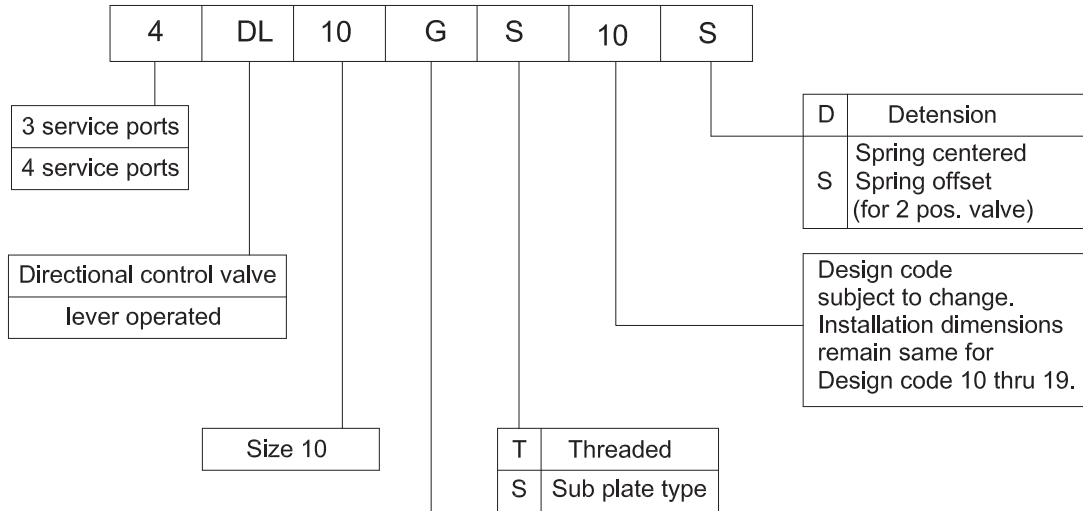
**Technical specification**

Construction .....	Spool type.
Mounting .....	Threaded and subplate body.
	Interface as per ISO 4401- AC- 05 -04 -A
	IS 10187 - 10 mm diameter nominal port.
Mounting position .....	Optional
Flow direction .....	As per spool type.
Operating pressure .....	For port P, A and B .....315 bar.
	For port T .....100 bar.
Hydraulics medium .....	Mineral oil.
Viscosity range .....	10 cSt to 380 cSt.
Fluid temperature range .....	-10°C to +80°C
Maximum flow handling capacity .....	100 L / min
Mass .....	5.6 kg APPROX ( Threaded & Subplate body)



# LEVER OPERATED DIRECTION CONTROL VALVE DL10

Ordering code



Spool type (ref. chart)	
Type	Symbole
	a o b
A	
C	
E	
G	
H	
J	

Note : Subplate to be order separately.