



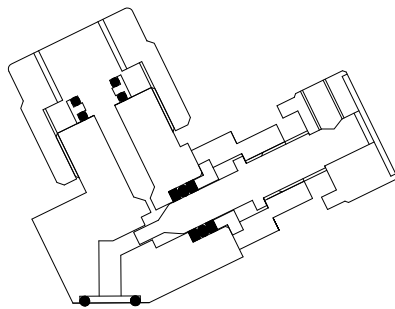
# GAUGE ISOLATING VALVE SUBPLATE MOUNTING GIVS

## Description

Seat type valves.  
Swiveling gauge connection for easy gauge positioning.  
Compact assembly.  
Eliminates gauge supporting bracket.  
Angular gauge face plane in sub-plate mounting construction facilitating easy gauge reading.



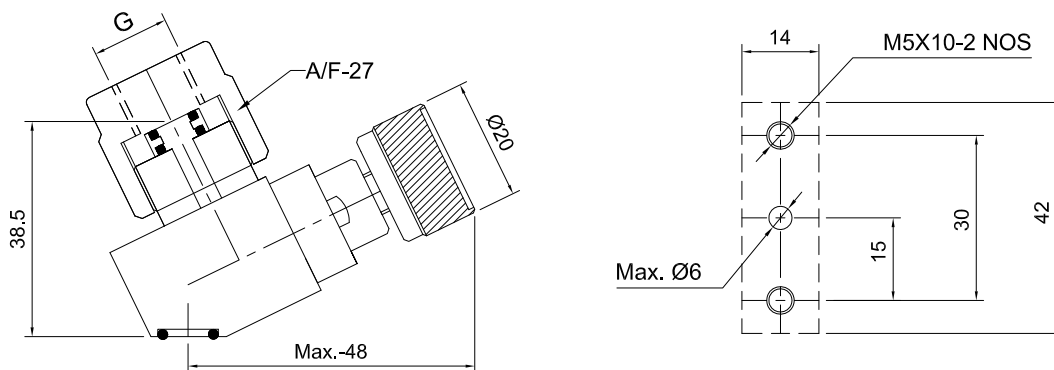
## Section



Hydraulics Symbol



## Unit Dimensions



## Technical specification

Construction .....	Seat type.
Mounting style .....	Sub plate mounting
Mounting position .....	Optional.
Operating pressure .....	350 bar.
Hydraulic medium .....	Mineral oil
Interface standard .....	Factory standard.
Viscosity ranges .....	10 cSt to 380 cSt.
Fluid Temperature range .....	-10°C to +70°C
Mass .....	0.3 kg
Order code .....	GIVS - 1/4"
	GIVS - 3/8"

### JACKTECH HYDRAULICS

Plot no.-433 G.I.D.C. Odhav  
Opp. Bhiksuk gruh  
Ahmedabad-382415 INDIA

Phone : +91-(0)79 22892302,03,04  
Fax : +91-(0)79 22892305  
E-mail : info@jacktechhyd.com  
Website : www.jacktechhyd.com



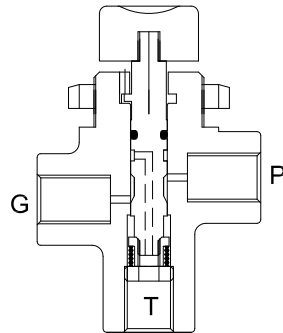
# GAUGE ISOLATOR VALVE PANNEL MOUNTING GIV

## Description

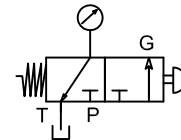
The pressure gauge isolator valve, model GIV is meant for checking the system pressure to which it is connected. The valve is a spool type, spring off-set, manually operated device. In normal condition the valve blocks the pressure port and keeps the pressure gauge connected to the drain. Thus isolating the gauge from system pressure surges and eliminating continuous pressure strain on the gauge. By pushing the actuator knob of the valve, system pressure can be read on the gauge. The valve is available in two model 1, JT-200 M & 2, JT-200 ML.



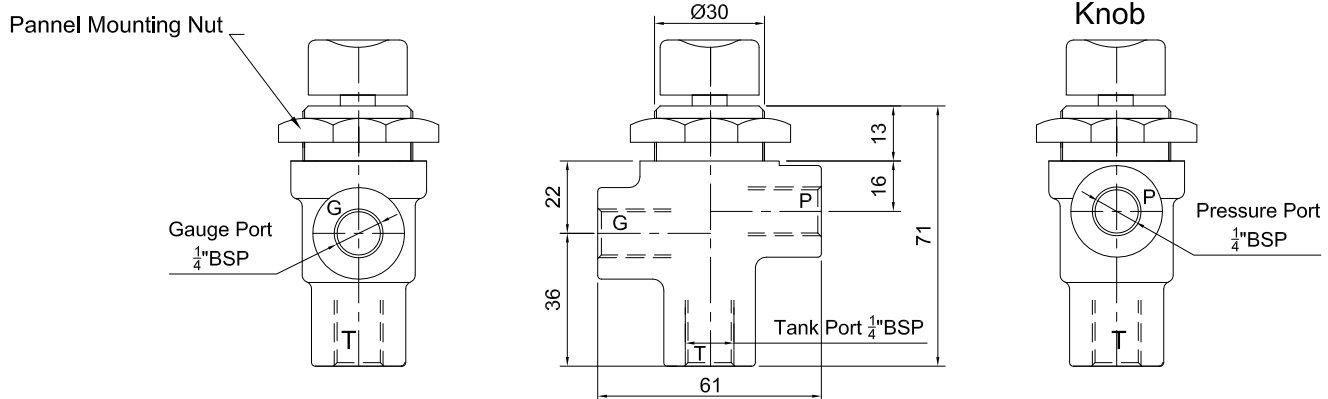
## Section



### Hydraulics Symbol



## Unit Dimensions



## Technical specification

Construction .....	Seat type, Manually operated, spring off-set.
Mounting style .....	Pannel mounting
Mounting position .....	Optional.
Operating pressure .....	210 bar.
Hydraulic medium .....	Mineral oil
Interface standard .....	Factory standard.
Viscosity ranges .....	10 cSt to 380 cSt.
Fluid Temperature range .....	-10°C to +70°C
Mass .....	0.3 kg
Order code .....	JT 200 M (Push to read) JT 200 ML (Push to read with lockable)